

DEWALT®

www.**DEWALT**.eu

D25313

D25223

D25323

D25324



Figure 1

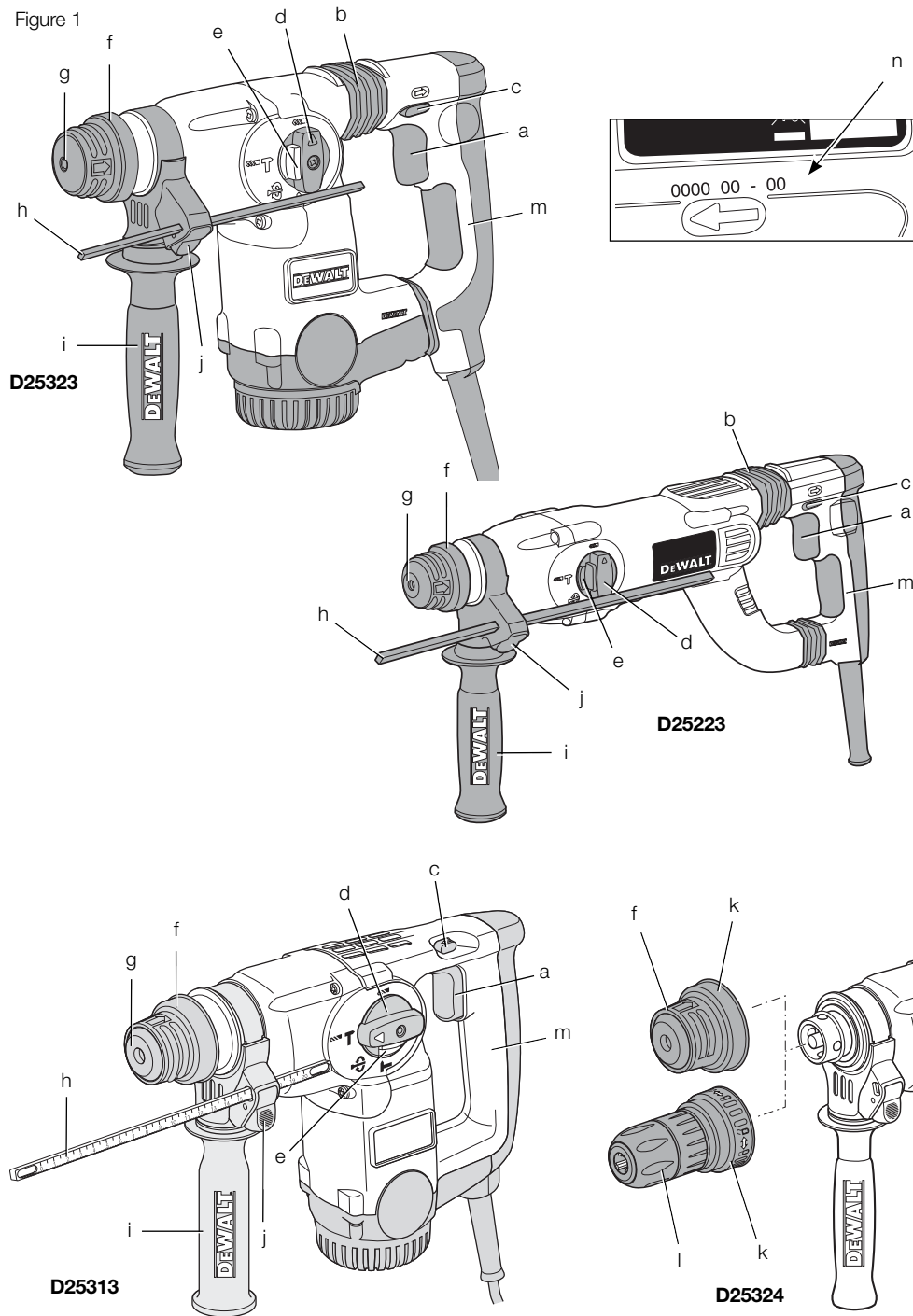


Figure 2

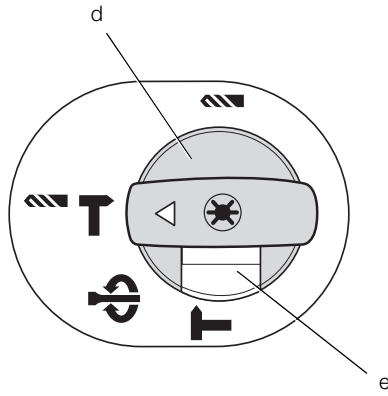


Figure 3

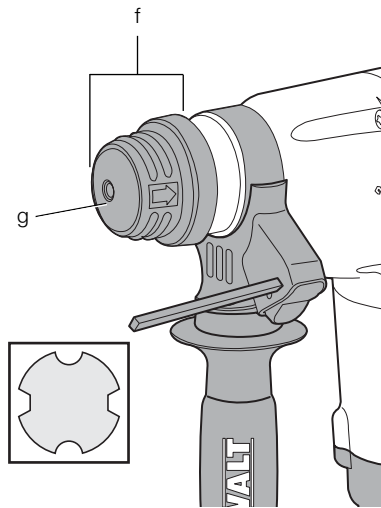


Figure 4

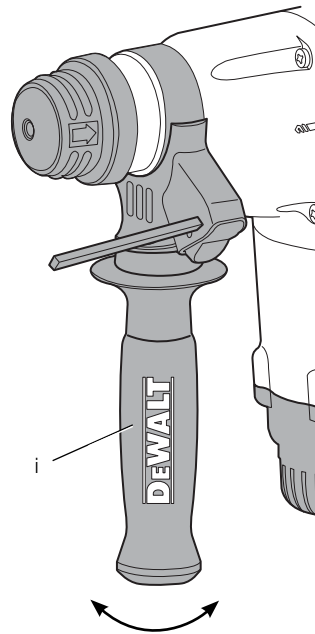


Figure 5

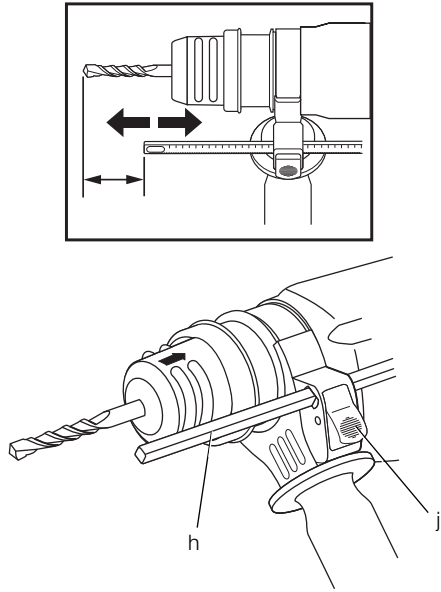


Figure 6

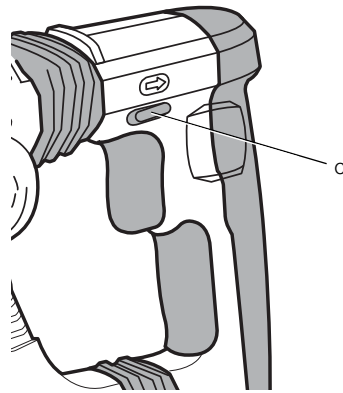
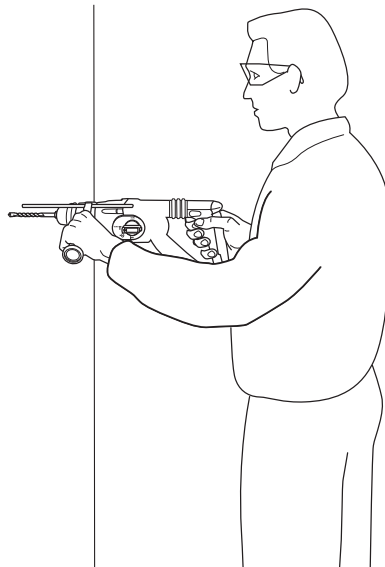


Figure 7



ENGLISH

HEAVY-DUTY ROTARY HAMMERDRILL D25313, D25223, D25323, D25324

Congratulations!

You have chosen a DEWALT tool. Years of experience, thorough product development and innovation make DEWALT one of the most reliable partners for professional power tool users.

Technical Data

		D25313	D25223	D25323	D25324
Voltage	V	230	230	230	230
(U.K. & Ireland only)	V	230/115	230/115	230/115	230/115
Power input	W	800	800	800	800
No-load speed	min ⁻¹	0–1,150	0–1,150	0–1,150	0–1,150
Load speed	min ⁻¹	0–830	0–830	0–830	0–830
Impact energy					
Hammerdrilling	J	0–3.1	3.1	0–3.1	0–3.1
Chiselling	J	0–3.4	3.4	0–3.4	0–3.4
Maximum drilling range in steel/wood/concrete	mm	13/30/26	13/30/26	13/30/26	13/30/26
Chisel positions		51	51	51	51
Core drilling capacity in soft brick	mm	65	65	65	65
Tool holder		SDS Plus®	SDS Plus®	SDS Plus®	SDS Plus®
Collar diameter	mm	54	54	54	54
Weight	kg	3.0	3.2	3.4	3.5
L_{pA} (sound pressure)	dB(A)	85.4	86	85.4	85.4
K_{pA} (sound pressure uncertainty)	dB(A)	3.3	3.2	3.3	3.3
L_{WA} (sound power)	dB(A)	99.4	99	99.4	99.4
K_{WA} (sound power uncertainty)	dB(A)	3.3	3.2	3.3	3.3

Vibration total values (triax vector sum) determined according to EN 60745:

Drilling into metal					
Vibration emission value $a_{h,D}$ =	m/s ²	3.0	4.0	< 2.5	< 2.5
Uncertainty K =	m/s ²	1.6	1.5	1.5	1.5
Drilling into concrete					
Vibration emission value $a_{h,HD}$ =	m/s ²	18.0	10.0	10.5	10.5
Uncertainty K =	m/s ²	1.7	2.4	1.5	1.5
Chiselling					
Vibration emission value $a_{h,Cheq}$ =	m/s ²	18.0	8.0	10.5	10.5
Uncertainty K =	m/s ²	1.5	2.7	3.5	3.5
Screwdriving without impact					
Vibration emission value $a_{h,i}$ =	m/s ²	< 2.5	< 2.5	< 2.5	< 2.5
Uncertainty K =	m/s ²	1.5	1.5	1.5	1.5

The vibration emission level given in this information sheet has been measured in accordance with a standardised test given in EN 60745 and may be used to compare one tool with another. It may be used for a preliminary assessment of exposure.



WARNING: The declared vibration emission level represents the main applications of the tool. However if the tool is used for different applications, with different accessories or poorly maintained, the vibration emission may differ. This may significantly increase the exposure level over the total working period.

An estimation of the level of exposure to vibration should also take into account the times when the tool is switched off or when it is running but not actually doing the job. This may significantly reduce the exposure level over the total working period.

Identify additional safety measures to protect the operator from the effects of vibration such as: maintain the tool and the accessories, keep the hands warm, organisation of work patterns.

Fuses:

Europe	230 V tools	10 Amperes, mains
U.K. & Ireland	230 V tools	13 Amperes, in plugs
U.K. & Ireland	115 V tools	16 Amperes, mains

Definitions: Safety Guidelines

The definitions below describe the level of severity for each signal word. Please read the manual and pay attention to these symbols.



DANGER: Indicates an imminently hazardous situation which, if not avoided, **will** result in **death or serious injury**.



WARNING: Indicates a potentially hazardous situation which, if not avoided, **could** result in **death or serious injury**.



CAUTION: Indicates a potentially hazardous situation which, if not avoided, **may** result in **minor or moderate injury**.

CAUTION: Used without the safety alert symbol indicates a potentially hazardous situation which, if not avoided, **may** result in **property damage**.



Denotes risk of electric shock.



Denotes risk of fire.

EC-Declaration of Conformity



D25313/D25223/D25323/D25324

DEWALT declares that these products described under "technical data" have been designed in compliance with:

98/37/EEC (until Dec. 28, 2009), 2006/42/EC (from Dec. 29, 2009), 2004/108/EC, EN 55014-1, EN 55014-2, EN 61000-3-2, EN 61000-3-3, EN 60745-1, EN 60745-2-6.

For more information, please contact DEWALT at the following address or refer to the back of the manual.

The undersigned is responsible for compilation of the technical file and makes this declaration on behalf of DEWALT.

Horst Grossmann
 Vice President Engineering and Product Development
 DEWALT, Richard-Klinger-Straße 11,
 D-65510, Idstein, Germany
 05.05.2009



WARNING: To reduce the risk of injury, read the instruction manual.

General Power Tool Safety Warnings



WARNING! Read all safety warnings and instructions Failure to follow the warnings and instructions may result in electric shock, fire and/or serious injury.

SAVE ALL WARNINGS AND INSTRUCTIONS FOR FUTURE REFERENCE

The term "power tool" in the warnings refers to your mains-operated (corded) power tool or battery-operated (cordless) power tool.

1) WORK AREA SAFETY

- a) **Keep work area clean and well lit.** Cluttered or dark areas invite accidents.
- b) **Do not operate power tools in explosive atmospheres, such as in the presence of flammable liquids, gases or dust.** Power tools create sparks which may ignite the dust or fumes.

ENGLISH

- c) **Keep children and bystanders away while operating a power tool.** Distractions can cause you to lose control.

2) ELECTRICAL SAFETY

- a) **Power tool plugs must match the outlet. Never modify the plug in any way. Do not use any adapter plugs with earthed (grounded) power tools.** Unmodified plugs and matching outlets will reduce risk of electric shock.
- b) **Avoid body contact with earthed or grounded surfaces such as pipes, radiators, ranges and refrigerators.** There is an increased risk of electric shock if your body is earthed or grounded.
- c) **Do not expose power tools to rain or wet conditions.** Water entering a power tool will increase the risk of electric shock.
- d) **Do not abuse the cord. Never use the cord for carrying, pulling or unplugging the power tool. Keep cord away from heat, oil, sharp edges or moving parts.** Damaged or entangled cords increase the risk of electric shock.
- e) **When operating a power tool outdoors, use an extension cord suitable for outdoor use.** Use of a cord suitable for outdoor use reduces the risk of electric shock.
- f) **If operating a power tool in a damp location is unavoidable, use a residual current device (RCD) protected supply.** Use of an RCD reduces the risk of electric shock.

3) PERSONAL SAFETY

- a) **Stay alert, watch what you are doing and use common sense when operating a power tool. Do not use a power tool while you are tired or under the influence of drugs, alcohol or medication.** A moment of inattention while operating power tools may result in serious personal injury.
- b) **Use personal protective equipment. Always wear eye protection.** Protective equipment such as dust mask, non-skid safety shoes, hard hat, or hearing protection used for appropriate conditions will reduce personal injuries.
- c) **Prevent unintentional starting. Ensure the switch is in the off position before connecting to power source and/or battery pack, picking up or carrying the tool.** Carrying power tools with your finger on the switch or energising power tools that have the switch on invites accidents.

- d) **Remove any adjusting key or wrench before turning the power tool on.** A wrench or a key left attached to a rotating part of the power tool may result in personal injury.
- e) **Do not overreach. Keep proper footing and balance at all times.** This enables better control of the power tool in unexpected situations.
- f) **Dress properly. Do not wear loose clothing or jewellery. Keep your hair, clothing and gloves away from moving parts.** Loose clothes, jewellery or long hair can be caught in moving parts.
- g) **If devices are provided for the connection of dust extraction and collection facilities, ensure these are connected and properly used.** Use of dust collection can reduce dust-related hazards.

4) POWER TOOL USE AND CARE

- a) **Do not force the power tool. Use the correct power tool for your application.** The correct power tool will do the job better and safer at the rate for which it was designed.
- b) **Do not use the power tool if the switch does not turn it on and off.** Any power tool that cannot be controlled with the switch is dangerous and must be repaired.
- c) **Disconnect the plug from the power source and/or the battery pack from the power tool before making any adjustments, changing accessories, or storing power tools.** Such preventive safety measures reduce the risk of starting the power tool accidentally.
- d) **Store idle power tools out of the reach of children and do not allow persons unfamiliar with the power tool or these instructions to operate the power tool.** Power tools are dangerous in the hands of untrained users.
- e) **Maintain power tools. Check for misalignment or binding of moving parts, breakage of parts and any other condition that may affect the power tool's operation. If damaged, have the power tool repaired before use.** Many accidents are caused by poorly maintained power tools.
- f) **Keep cutting tools sharp and clean.** Properly maintained cutting tools with sharp cutting edges are less likely to bind and are easier to control.
- g) **Use the power tool, accessories and tool bits etc., in accordance with these instructions taking into account the**

working conditions and the work to be performed. Use of the power tool for operations different from those intended could result in a hazardous situation.

5) SERVICE

- a) **Have your power tool serviced by a qualified repair person using only identical replacement parts.** This will ensure that the safety of the power tool is maintained.

Additional Specific Safety Rules for Rotary Hammers

- **Wear ear protectors.** Exposure to noise can cause hearing loss.
- **Use auxiliary handles supplied with the tool.** Loss of control can cause personal injury.
- **Hold power tools by insulated gripping surfaces when performing an operation where the cutting tool may contact hidden wiring or its own cord.** Contact with a "live" wire will make exposed metal parts of the tool "live" and shock the operator.
- **Use clamps or other practical way to secure and support the workpiece to a stable platform.** Holding the work by hand or against your body is unstable and may lead to loss of control.
- **Wear safety goggles or other eye protection.** Hammering operations cause chips to fly. Flying particles can cause permanent eye damage. Wear a dust mask or respirator for applications that generate dust. Ear protection may be required for most applications.
- **Keep a firm grip on the tool at all times. Do not attempt to operate this tool without holding it with both hands.** It is recommended that the side handle be used at all times. Operating this tool with one hand will result in loss of control. Breaking through or encountering hard materials such as re-bar may be hazardous as well. Tighten the side handle securely before use.
- **Do not operate this tool for long periods of time.** Vibration caused by hammer action may be harmful to your hands and arms. Use gloves to provide extra cushion and limit exposure by taking frequent rest periods.
- **Do not recondition bits yourself.** Chisel reconditioning should be done by an authorized specialist. Improperly reconditioned chisels could cause injury.
- **Wear gloves when operating tool or changing bits.** Accessible metal parts on the tool and bits may get extremely hot during operation. Small bits of broken material may damage bare hands.
- **Never lay the tool down until the bit has come to a complete stop.** Moving bits could cause injury.
- **Do not strike jammed bits with a hammer to dislodge them.** Fragments of metal or material chips could dislodge and cause injury.
- **Slightly worn chisels can be resharpenered by grinding.**
- **Keep the power cord away from the rotating bit. Do not wrap the cord around any part of your body.** An electric cord wrapped around a spinning bit may cause personal injury and loss of control.

Residual Risks

The following risks are inherent to the use of rotary hammers:

- injuries caused by touching the rotating parts or hot parts of the tool

In spite of the application of the relevant safety regulations and the implementation of safety devices, certain residual risks cannot be avoided. These are:

- Impairment of hearing.
- Risk of squeezing fingers when changing the accessory.
- Health hazards caused by breathing dust developed when working in concrete and/or masonry.

Markings on Tool

The following pictograms are shown on the tool:



Read instruction manual before use.



Wear ear protection.



Wear eye protection.

ENGLISH

DATE CODE POSITION (FIG. 1)

The Date Code (n) , which also includes the year of manufacture, is printed into the housing.

Example:

2009 XX XX
Year of Manufacture

Package Contents

The package contains:

- 1 Heavy-duty rotary hammerdrill
- 1 Side handle
- 1 Depth adjustment rod
- 1 Kitbox
- 1 Keyless chuck (D25324 only)
- 1 Instruction manual
- 1 Exploded drawing
 - Check for damage to the tool, parts or accessories which may have occurred during transport.
 - Take the time to thoroughly read and understand this manual prior to operation.

Description (fig. 1)



WARNING: Never modify the power tool or any part of it. Damage or personal injury could result.

- a. Variable speed switch
- b. Active vibration control (D25223, D25323 and D25324 only)
- c. Forward/reverse slider
- d. Mode selector
- e. Safety lock
- f. Tool holder / locking sleeve
- g. Dust cover
- h. Depth adjustment rod
- i. Side handle
- j. Depth stop clamp
- k. Locking collar (D25324 only)
- l. Chuck (D25324 only)
- m. main handle

INTENDED USE

Your hammerdrill has been designed for professional hammerdrilling and light chipping, chiselling and demolition applications and for carbide tipped core drilling in concrete, brick and stone. The machine

is also suitable for rotary drilling in wood, metal, ceramic and plastic and for screw driving and thread cutting

DO NOT use under wet conditions or in presence of flammable liquids or gases.

These hammerdrills are professional power tools.

DO NOT let children come into contact with the tool. Supervision is required when inexperienced operators use this tool.

ACTIVE VIBRATION CONTROL (FIG. 1) (D25223, D25323 AND D25324 ONLY)

The active vibration control neutralises rebound vibration from the hammer mechanism. Lowering hand and arm vibration allows for more comfortable use for longer periods of time and extends the life of the unit.

For best vibration control, hold the tool with one hand on the main handle (m) and the other hand on the side handle (i). Apply just enough pressure so the hammer is approximately mid-stroke.

The hammer only needs enough pressure to engage the active vibration control. Applying too much pressure will not make the tool drill or chip faster and active vibration control will not engage.

TORQUE LIMITING CLUTCH

All rotary hammer drills are equipped with a torque limiting clutch that reduces the maximum torque reaction transmitted to the operator in case of jamming of a drill bit. This feature also prevents the gearing and electric motor from stalling. The torque limiting clutch has been factory-set and cannot be adjusted.

Electrical Safety

The electric motor has been designed for one voltage only. Always check that the power supply corresponds to the voltage on the rating plate.



Your DEWALT charger is double insulated in accordance with EN 60745; therefore no earth wire is required.



WARNING: 115 V units have to be operated via a fail-safe isolating transformer with an earth screen between the primary and secondary winding.

If the supply cord is damaged, it must be replaced by a specially prepared cord available through the DEWALT service organization.

Mains Plug Replacement (U.K. & Ireland Only)

If a new mains plug needs to be fitted:

- Safely dispose of the old plug.
- Connect the brown lead to the live terminal in the plug.
- Connect the blue lead to the neutral terminal.



WARNING: No connection is to be made to the earth terminal.

Follow the fitting instructions supplied with good quality plugs. Recommended fuse: 13 A.

Using an Extension Cable

An extension cord should not be used unless absolutely necessary. Use an approved extension cable suitable for the power input of your charger (see technical data). The minimum conductor size is 1 mm²; the maximum length is 30 m.

When using a cable reel, always unwind the cable completely.

ASSEMBLY AND ADJUSTMENTS



WARNING: To reduce the risk of injury, turn unit off and disconnect machine from power source before installing and removing accessories, before adjusting or changing set-ups or when making repairs. Be sure the trigger switch is in the OFF position. An accidental start-up can cause injury.

Selecting the Operating Mode (fig. 2)

The tool can be used in the following operating modes:



Rotary drilling: for screwdriving and for drilling into steel, wood and plastics



Hammerdrilling: for concrete and masonry drilling operations.



Hammering only: for light chipping, chiselling and demolition applications. In this mode the tool can also be used as a lever to free a jammed drill bit.



Bit rotation: non-working position used only to rotate a flat chisel into the desired position.

1. To select the operating mode, press the safety lock (e) and rotate the mode selector switch

(d) until it points to the symbol of the required mode.

2. Release the safety lock and check that the mode selector switch is locked in place.



WARNING: Do not select the operating mode when the tool is running.

Indexing the Chisel Position

The chisel can be indexed and locked into 51 different positions.

1. Rotate the mode selector switch (d) until it points to the bit rotation symbol.
2. Rotate the chisel in the desired position.
3. Set the mode selector switch (d) to the hammering only position.
4. Twist the chisel until it locks in position.

Inserting and Removing SDS Plus® Accessories (fig. 3)

This tool uses SDS Plus® accessories (refer to the inset in figure 3 for a cross-section of an SDS Plus® bit shank). We recommend to use professional accessories only.

1. Clean and grease the bit shank.
2. Insert the bit shank into the tool holder/locking sleeve (f).
3. Push the bit down and turn it slightly until it fits into the slots.
4. Pull on the bit to check if it is properly locked. The hammering function requires the bit to be able to move axially several centimetres when locked in the tool holder.
5. To remove a bit pull back the tool holder/locking sleeve (f) and pull out the bit.



WARNING: Always wear gloves when you change accessories. The exposed metal parts on the tool and accessory may become extremely hot during operation.

Fitting the Side Handle (fig. 4)

The side handle (i) can be fitted to suit both RH- and LH-users.



WARNING: Do not use the tool without the side handle properly assembled.

1. Loosen the side handle.
2. **For RH-users:** slide the side handle clamp over the collar behind the tool holder, handle at the left.

ENGLISH

For LH-users: slide the side handle clamp over the collar behind the tool holder, handle at the right.

3. Rotate the side handle to the desired position and tighten the handle.

Setting the Drilling Depth (fig. 5)

1. Insert the required drill bit as described above.
2. Press the depth stop clamp (j) and keep it depressed.
3. Fit the depth adjustment rod (h) through the hole in the depth stop clamp.
4. Adjust the drilling depth as shown.
5. Release the depth stop clamp.

Forward/reverse Slider (fig. 6)

1. Push the forward/reverse slider (c) to the LH-side for forward (RH) rotation. See arrows on tool.
2. Push the forward/reverse slider (c) to the RH-side for reverse (LH) rotation.



WARNING: Always wait until the motor has come to a complete standstill before changing the direction of rotation.

Fitting a Chuck Adapter and Chuck (Sold Separately)

1. Screw a chuck onto the threaded end of the chuck adapter.
2. Insert the connected chuck and adapter in the tool as though it were a standard SDS Plus® bit.
3. To remove the chuck, proceed as for removing a standard SDS Plus® bit.



WARNING: Never use standard chucks in the hammer drilling mode.

Consult your dealer for further information on the appropriate accessories.

Replacing the Tool Holder with the Chuck (fig. 1)

D25324

1. Turn the locking collar (k) into the unlocking position and pull the tool holder/locking sleeve (f) off.
2. Push the chuck (l) onto the spindle and turn the locking collar into the locking position.
3. To replace the chuck with the tool holder, first remove the chuck the same way as the tool holder was removed. Then place the tool holder the same way as the chuck was placed.



WARNING: Never use standard chucks in the hammer drilling mode.

Replacing the Dust Cover (fig. 3)

The dust cover (g) prevents dust ingress into the mechanism. Replace a worn dust cover immediately.

1. Pull back the tool holder locking sleeve (f) and pull the dust cover (g) off.
2. Fit the new dust cover.
3. Release the tool holder locking sleeve.

OPERATION

Instructions for Use



WARNING:

- Always observe the safety instructions and applicable regulations.
- Be aware of the location of pipework and wiring.
- Apply only a gentle pressure to the tool (approx. 5 kg). Excessive force does not speed up drilling but decreases tool performance and may shorten tool life.
- Do not drill or drive too deep to prevent damage to the dust cover.
- Always hold the tool firmly with both hands and ensure a secure stance (fig. 7). Always operate the tool with the side handle properly mounted.

Proper Hand Position (fig. 7)



WARNING: To reduce the risk of serious personal injury, **ALWAYS** use proper hand position as shown.



WARNING: To reduce the risk of serious personal injury, **ALWAYS** hold securely in anticipation of a sudden reaction.

Proper hand position requires one hand on the side handle (i), with the other hand on the main handle (m).

Overload Clutch

If the drill bit becomes jammed or caught, the drive to the drill spindle is interrupted by the overload clutch. Because of the forces that occur as a result, always hold the machine securely with both hands and take a firm stance.

Switching On and Off (fig. 1)

1. To run the tool, press the variable speed switch (a). The pressure exerted on the variable speed switch determines the tool speed.
2. To stop the tool, release the switch.
3. To lock the tool in off position, move the forward/reverse slider (c) to the central position.

Hammerdrilling (fig. 1)

DRILLING WITH A SOLID BIT

1. Set the mode selector switch (d) to the hammerdrilling position.
2. Insert the appropriate drill bit.

NOTE: For best results use high quality carbide-tipped bits.
3. Adjust the side handle (i) as required.
4. If necessary, set the drilling depth.
5. Mark the spot where the hole is to be drilled.
6. Place the drill bit on the spot and switch on the tool.
7. Always switch off the tool when work is finished and before unplugging.

Drilling with a Core Bit

1. Set the mode selector (d) to the hammerdrilling position.
2. Adjust the side handle (i) as required.
3. Insert the appropriate core bit.
4. Assemble the centerdrill into the core bit.
5. Place the centerdrill on the spot and press the variable speed switch (a). Drill until the core penetrates into the concrete approx. 1 cm.
6. Stop drilling and remove the centerdrill. Place the core bit back into the hole and continue drilling.
7. When drilling through a structure thicker than the depth of the core bit, break away the round cylinder of concrete or core inside the bit at regular intervals. To avoid unwanted breaking away of concrete around the hole, first drill a hole the diameter of the center drill completely through the structure. Then drill the cored hole halfway from each side.
8. Always switch off the tool when work is finished and before unplugging.

Rotary Drilling (fig. 1)

1. Set the mode selector switch (d) to the rotary drilling position.
2. Fit the chuck adapter/chuck assembly.
3. Proceed as described for hammerdrilling.



WARNING: Never use standard chucks in the hammer drilling mode.

Screwdriving (fig. 1)

1. Set the mode selector switch (d) to the rotary drilling position.
2. Select the direction of rotation.
3. Insert the special SDS Plus® screwdriving adaptor for use with hexagonal screwdriver bits.
4. Insert the appropriate screwdriver bit. When driving slotted head screws always use bits with a finder sleeve.
5. Gently press the variable speed switch (a) to prevent damage to the screw head. In reverse (LH) rotation the tool speed is automatically reduced for easy screw removal.
6. When the screw is flush with the workpiece, release the variable speed switch to prevent the screw head from penetrating into the workpiece.

Chipping and Chiselling (fig. 1)

1. Set the mode selector switch (d) to the hammering only position.
2. Insert the appropriate chisel and rotate it by hand to lock it into one of 51 positions.
3. Adjust the side handle (i) as required.
4. Switch on the tool and start working.
5. Always switch off the tool when work is finished and before unplugging.



WARNING:

- Do not use this tool to mix or pump easily combustible or explosive fluids (benzine, alcohol, etc.).
- Do not mix or stir inflammable liquids labelled accordingly.

MAINTENANCE

Your DEWALT power tool has been designed to operate over a long period of time with a minimum of maintenance. Continuous satisfactory operation depends upon proper tool care and regular cleaning.



WARNING: To reduce the risk of injury, turn unit off and disconnect machine from power source before installing and removing accessories, before adjusting or changing set-ups or when making repairs. Be sure the trigger switch is in the OFF position. An accidental start-up can cause injury.

- This machine is not user-serviceable. Take the tool to an authorised DEWALT repair agent after approximately 40 hours of use. If problems occur before this time contact an authorised DEWALT repair agent.
- The tool will automatically switch off when the carbon brushes are worn.

Motor Brushes

DEWALT uses an advanced brush system which automatically stops the drill when the brushes wear out. This prevents serious damage to the motor. New brush assemblies are available at authorised DEWALT service centers. Always use identical replacement parts.



Lubrication

Your power tool requires no additional lubrication. Accessories and attachments used must be regularly lubricated around the SDS Plus® fitment.



Cleaning



WARNING: Blow dirt and dust out of the main housing with dry air as often as dirt is seen collecting in and around the air vents. Wear approved eye protection and approved dust mask when performing this procedure.



WARNING: Never use solvents or other harsh chemicals for cleaning the non-metallic parts of the tool. These chemicals may weaken the materials used in these parts. Use a cloth dampened only with water and mild soap. Never let any liquid get inside the tool; never immerse any part of the tool into a liquid.

Optional Accessories



WARNING: Since accessories, other than those offered by DEWALT, have not been tested with this product, use of such accessories with this tool could be hazardous. To reduce the risk of injury, only DEWALT, recommended accessories should be used with this product.

Various types of SDS Plus® drill bits and chisels are available as an option.

Consult your dealer for further information on the appropriate accessories.

Protecting the Environment



Separate collection. This product must not be disposed of with normal household waste.

Should you find one day that your DEWALT product needs replacement, or if it is of no further use to you, do not dispose of it with household waste. Make this product available for separate collection.



Separate collection of used products and packaging allows materials to be recycled and used again. Re-use of recycled materials helps prevent environmental pollution and reduces the demand for raw materials.

Local regulations may provide for separate collection of electrical products from the household, at municipal waste sites or by the retailer when you purchase a new product.

DEWALT provides a facility for the collection and recycling of DEWALT products once they have reached the end of their working life. To take advantage of this service please return your product to any authorised repair agent who will collect them on our behalf.

You can check the location of your nearest authorised repair agent by contacting your local DEWALT office at the address indicated in this manual. Alternatively, a list of authorised DEWALT repair agents and full details of our after-sales service and contacts are available on the Internet at: www.2helpU.com.

GUARANTEE

• 30 DAY NO RISK SATISFACTION GUARANTEE •

If you are not completely satisfied with the performance of your DeWALT tool, simply return it within 30 days, complete as purchased, to the point of purchase, for a full refund or exchange. Proof of purchase must be produced.

• ONE YEAR FREE SERVICE CONTRACT •

If you need maintenance or service for your DeWALT tool, in the 12 months following purchase, it will be undertaken free of charge at an authorized DeWALT repair agent. Proof of purchase must be produced. Includes labour and spare parts for Power Tools. Excludes accessories.

• ONE YEAR FULL WARRANTY •

If your DeWALT product becomes defective due to faulty materials or workmanship within 12 months from the date of purchase, we guarantee to replace all defective parts free of charge or, at our discretion, replace the unit free of charge provided that:

- The product has not been misused.
- Repairs have not been attempted by unauthorized persons.
- Proof of purchase date is produced. This guarantee is offered as an extra benefit and is additional to consumers statutory rights.

For the location of your nearest authorized DeWALT repair agent, please use the appropriate telephone number on the back of this manual. Alternatively, a list of authorized DeWALT repair agents and full details on our after-sales service are available on the Internet at **www.2helpU.com**.

Belgique et Luxembourg België en Luxemburg	Black & Decker - DEWALT Nieuwlandlaan 7, IZ Aarschot B156 B-3200 Aarschot	Tel: +32 (0)015 - 15 47 9211 Fax: +32 (0)015 - 15 47 9210 www.dewalt.be
Danmark	DEWALT Sluseholmen 2-4 2450 København SV	Tlf: 70201511 Fax: 70224910 www.dewalt.dk
Deutschland	DEWALT Richard-Klinger-Straße 65510 Idstein	Tel: 06126-21-1 Fax: 06126-21-2770 www.dewalt.de
Ελλάς	Black & Decker (Hellas) S.A. Στράβωνος 7 & Βουλιαγμένης 159 Γλυφάδα 16674, Αθήνα	Τηλ: (01) 8981-616 Φαξ: (01) 8983-570 Service: (01) 8982-630
España	DEWALT Parque de Negocios "Mas Blau" Edificio Muntadas, c/Bergadá, 1, Of. A6 08820 El Prat de Llobregat (Barcelona)	Tel: 934 797 400 Fax: 934 797 439 www.dewalt.es
France	DEWALT Le Paisy BP 21, 69571 Dardilly Cedex	Tel: 472 20 39 72 Fax: 472 20 39 02 www.dewalt.fr
Schweiz Suisse Svizzera	DEWALT In der Luberzen 40 8902 Urdorf	Tel: 01 - 730 67 47 Fax: 01 - 730 70 67 www.dewalt.ch
Ireland	DEWALT Calpe House Rock Hill Black Rock, Co. Dublin	Tel: 00353-2781800 Fax: 00353-2781811 www.dewalt.ie
Italia	DEWALT Viale Elvezia 2 20052 Monza (Mi)	Tel: 800-014353 Fax: 039-2387592 www.dewalt.it
Nederlands	Black & Decker - DEWALT Joulehof 12 4600 AB Bergen Op Zoom	Tel: 0164 283000 Fax: 0164 283100 www.dewalt.nl
Norge	DEWALT Postboks 4814, Nydalen 0422 Oslo	Tel: 22 90 99 00 Fax: 22 90 99 01 www.dewalt.no
Österreich	DEWALT Werkzeugevertriebs GmbH Erlaerstraße 165, Postfach 320,1231 Wien	Tel: 01 - 66116 - 0 Fax: 01 - 66116 - 14 www.dewalt.at
Portugal	DEWALT Rua Egas Moniz 173 João do Estoril, 2766-651 Estoril	Tel: 214 66 75 00 Fax: 214 66 75 75 www.dewalt.pt
Suomi	DEWALT Oy Tekniikantie 12 02150 Espoo, Finland	Puh: 010 400 430 Faksi: 0800 411 340 www.dewalt.fi
	DEWALT Oy Teknikvägen 12 02150 Esbo, Finland	Tel: 010 400 430 Fax: 0800 411 340 www.dewalt.fi
Sverige	DEWALT Box 94 431 22 Mölndal	Tel: 031 68 61 00 Fax: 031 68 60 08 www.dewalt.se
Türkiye	KALE Hırdavat ve Makina A.Ş. Defterdar Mah. Savaklar Cad. No:15 Edirnekapı / Eyüp / İSTANBUL 34050 TÜRKİYE	Tel: 0212 533 52 55 Faks: 0212 533 10 05 www.dewalt.com.tr
United Kingdom	DEWALT 210 Bath Road Slough, Berks SL1 3YD	Tel: 01753-56 70 55 Fax: 01753-57 21 12 www.dewalt.co.uk