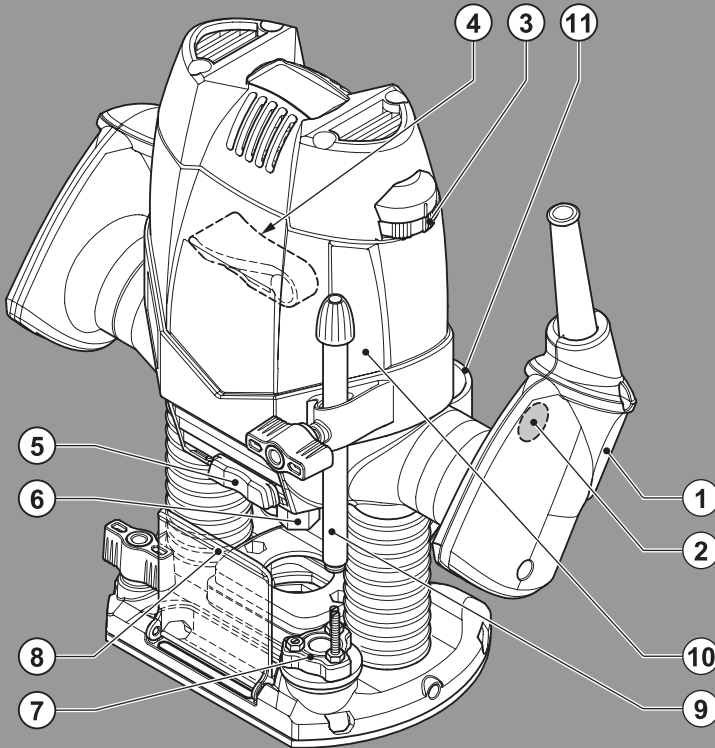
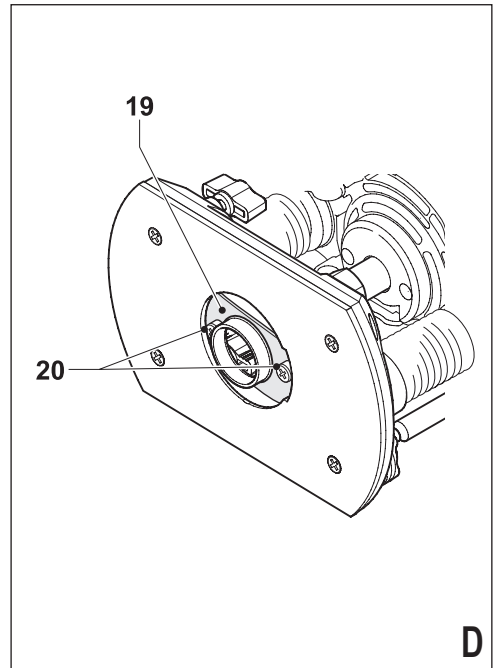
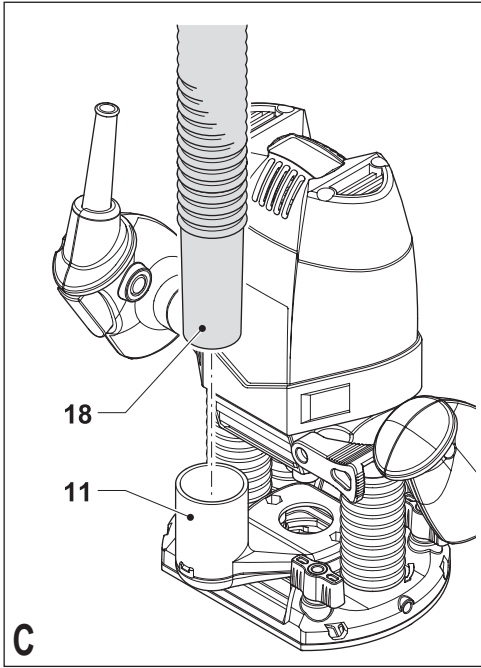
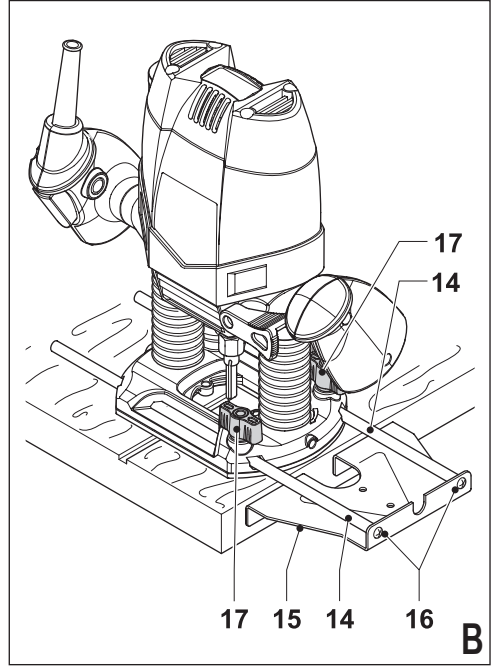
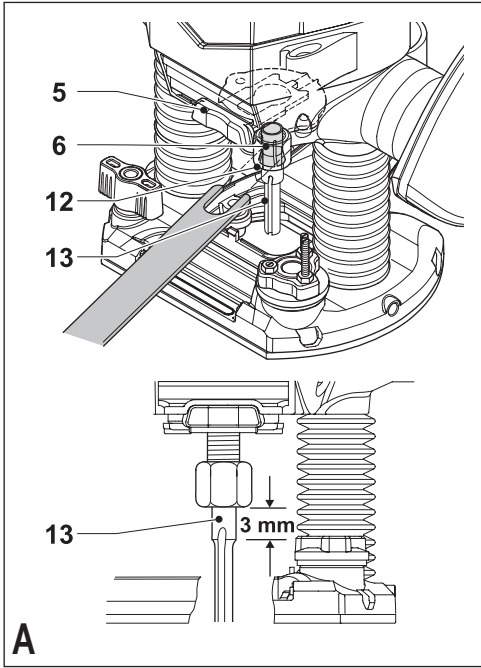


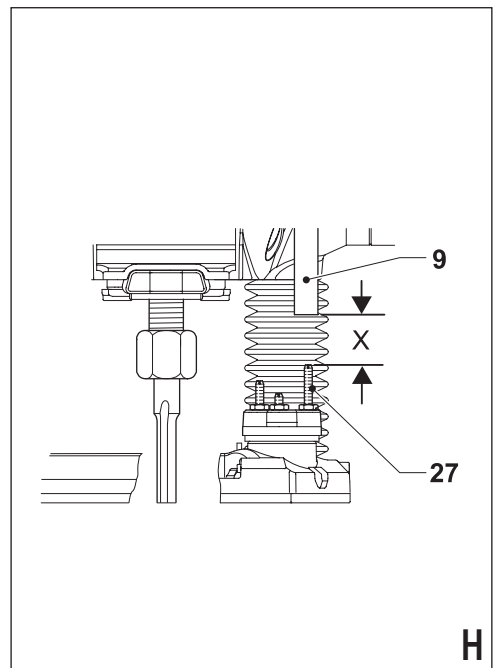
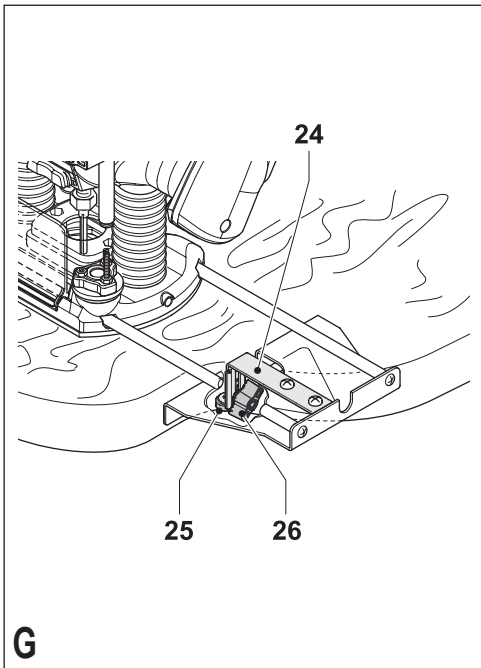
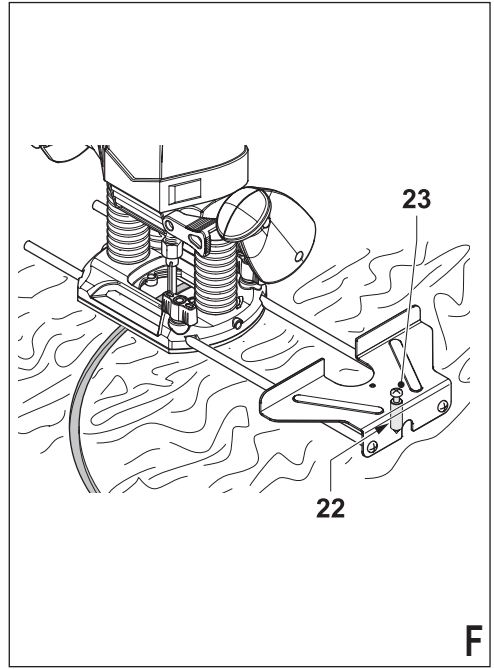
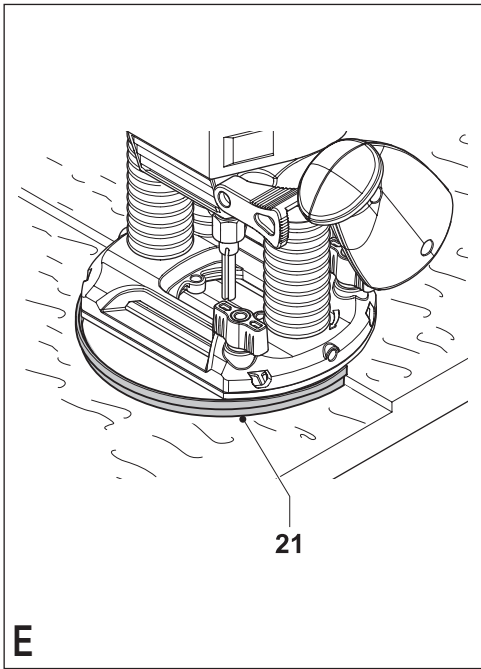


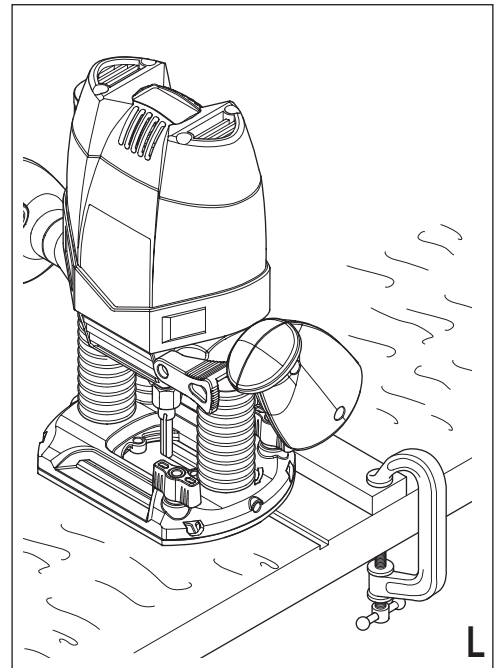
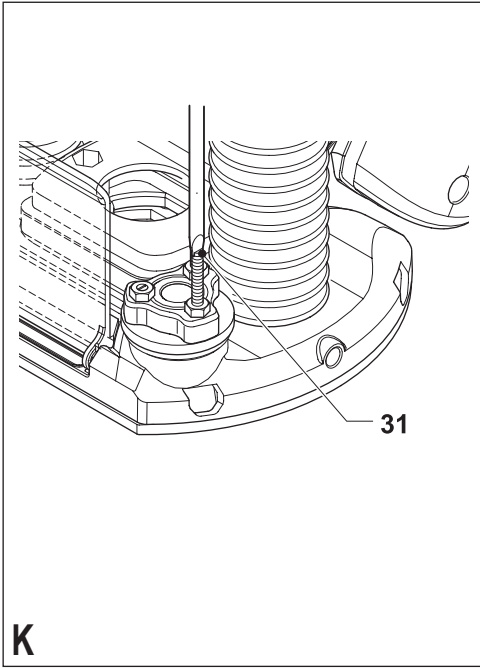
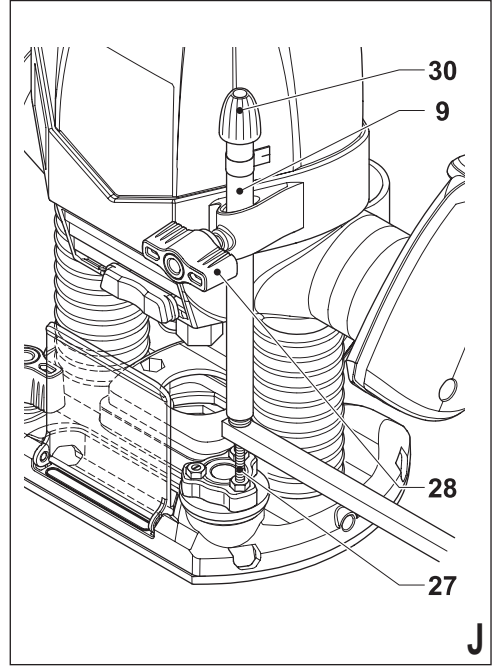
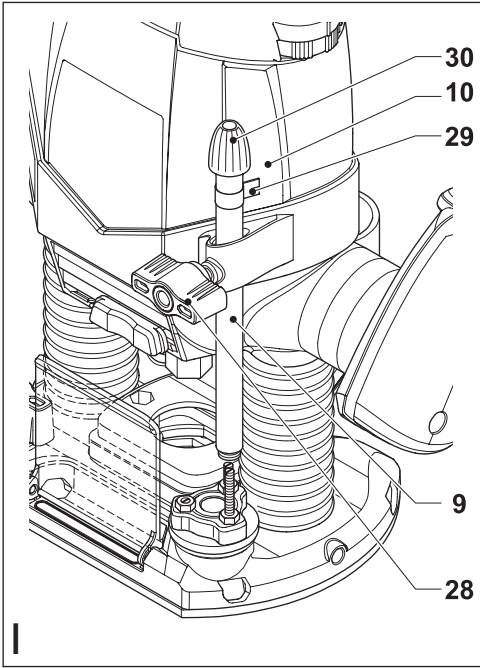
BLACK & DECKER®

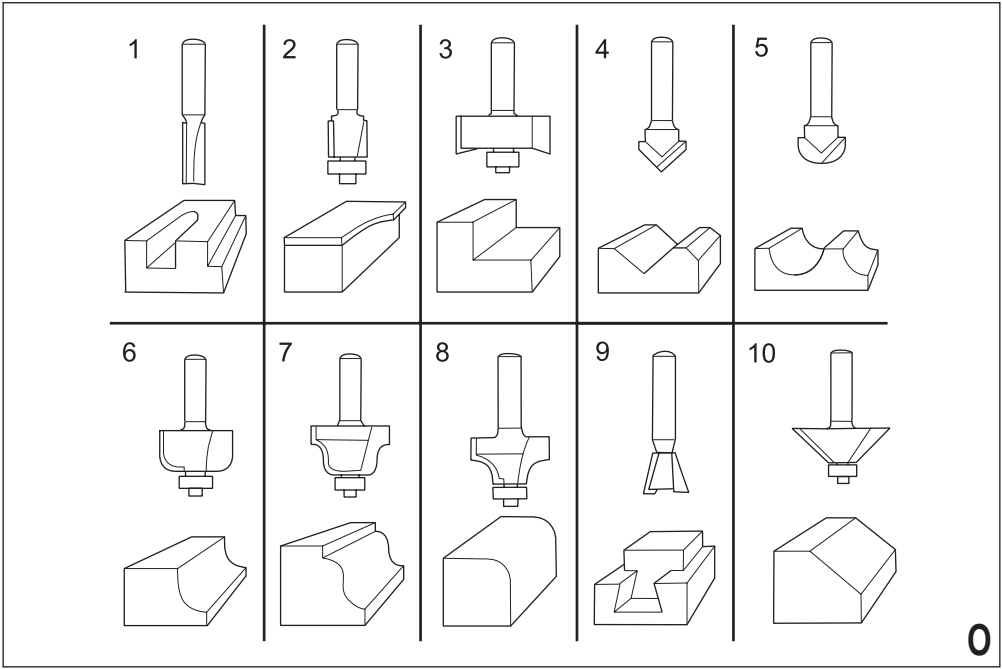
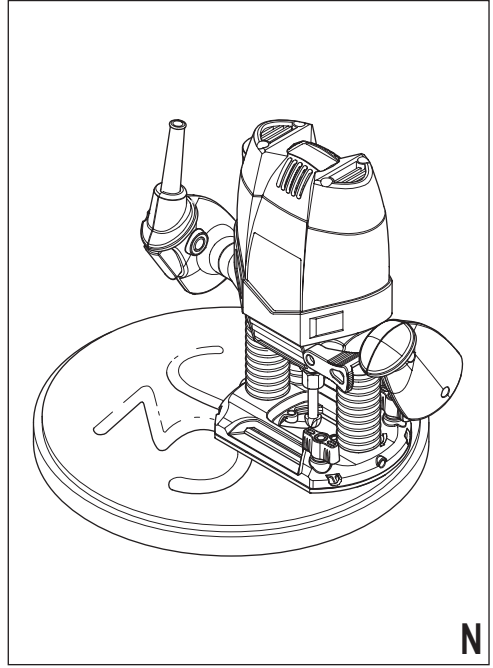
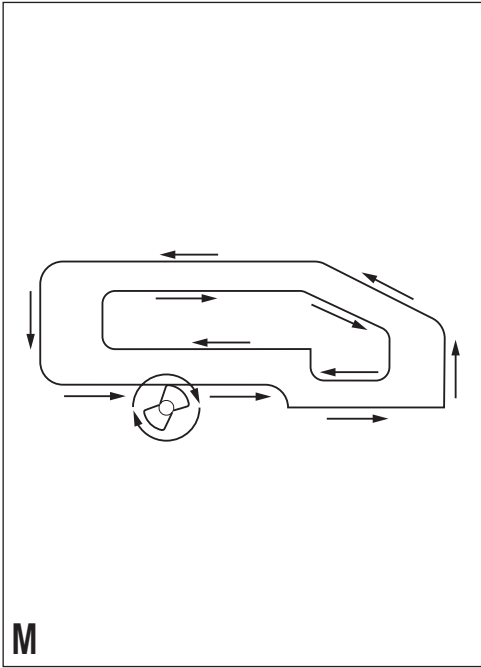


English	(Original instructions)	7
Deutsch	(Übersetzung der Originalanleitung)	13
Français	(Traduction des instructions d'origine)	20
Italiano	(Traduzione delle istruzioni originali)	27
Nederlands	(Vertaling van de originele instructies)	34
Español	(Traducción de las instrucciones originales)	41
Português	(Tradução das instruções originais)	48
Svenska	(Översättning av de ursprungliga anvisningarna)	55
Norsk	(Oversettelse av de opprinnelige instruksjonene)	61
Dansk	(Oversættelse af de originale instruktioner)	67
Suomi	(Alkuperäisten ohjeiden käännös)	73
Ελληνικά	(Μετάφραση των αρχικών οδηγιών)	79









Intended use

Your Black & Decker router has been designed for routing wood and wood products. This tool is intended for consumer use only.

Safety instructions

General power tool safety warnings



Warning! Read all safety warnings and all instructions. Failure to follow the warnings and instructions listed below may result in electric shock, fire and/or serious injury.

Save all warnings and instructions for future reference.

The term "power tool" in all of the warnings listed below refers to your mains operated (corded) power tool or battery operated (cordless) power tool.

1. Work area safety

- a. **Keep work area clean and well lit.** Cluttered or dark areas invite accidents.
- b. **Do not operate power tools in explosive atmospheres, such as in the presence of flammable liquids, gases or dust.** Power tools create sparks which may ignite the dust or fumes.
- c. **Keep children and bystanders away while operating a power tool.** Distractions can cause you to lose control.

2. Electrical safety

- a. **Power tool plugs must match the outlet. Never modify the plug in any way. Do not use any adapter plugs with earthed (grounded) power tools.** Unmodified plugs and matching outlets will reduce risk of electric shock.
- b. **Avoid body contact with earthed or grounded surfaces such as pipes, radiators, ranges and refrigerators.** There is an increased risk of electric shock if your body is earthed or grounded.
- c. **Do not expose power tools to rain or wet conditions.** Water entering a power tool will increase the risk of electric shock.
- d. **Do not abuse the cord. Never use the cord for carrying, pulling or unplugging the power tool. Keep cord away from heat, oil, sharp edges or moving parts.** Damaged or entangled cords increase the risk of electric shock.
- e. **When operating a power tool outdoors, use an extension cord suitable for outdoor use.** Use of a cord suitable for outdoor use reduces the risk of electric shock.
- f. **If operating a power tool in a damp location is unavoidable, use a residual current device (RCD) protected supply.** Use of an RCD reduces the risk of electric shock.

3. Personal safety

- a. **Stay alert, watch what you are doing and use common sense when operating a power tool. Do not use a power tool while you are tired or under the influence of drugs, alcohol or medication.** A moment of inattention while operating power tools may result in serious personal injury.
 - b. **Use personal protective equipment. Always wear eye protection.** Protective equipment such as dust mask, non-skid safety shoes, hard hat, or hearing protection used for appropriate conditions will reduce personal injuries.
 - c. **Prevent unintentional starting. Ensure the switch is in the off-position before connecting to power source and/or battery pack, picking up or carrying the tool.** Carrying power tools with your finger on the switch or energising power tools that have the switch on invites accidents.
 - d. **Remove any adjusting key or wrench before turning the power tool on.** A wrench or a key left attached to a rotating part of the power tool may result in personal injury.
 - e. **Do not overreach. Keep proper footing and balance at all times.** This enables better control of the power tool in unexpected situations.
 - f. **Dress properly. Do not wear loose clothing or jewellery. Keep your hair, clothing and gloves away from moving parts.** Loose clothes, jewellery or long hair can be caught in moving parts.
 - g. **If devices are provided for the connection of dust extraction and collection facilities, ensure these are connected and properly used.** Use of dust collection can reduce dust-related hazards.
- #### 4. Power tool use and care
- a. **Do not force the power tool. Use the correct power tool for your application.** The correct power tool will do the job better and safer at the rate for which it was designed.
 - b. **Do not use the power tool if the switch does not turn it on and off.** Any power tool that cannot be controlled with the switch is dangerous and must be repaired.
 - c. **Disconnect the plug from the power source and/or the battery pack from the power tool before making any adjustments, changing accessories, or storing power tools.** Such preventive safety measures reduce the risk of starting the power tool accidentally.
 - d. **Store idle power tools out of the reach of children and do not allow persons unfamiliar with the power tool or these instructions to operate the power tool.** Power tools are dangerous in the hands of untrained users.
 - e. **Maintain power tools. Check for misalignment or binding of moving parts, breakage of parts and any other condition that may affect the power tools operation. If damaged, have the power tool repaired before use.** Many accidents are caused by poorly maintained power tools.

- f. **Keep cutting tools sharp and clean.** Properly maintained cutting tools with sharp cutting edges are less likely to bind and are easier to control.
 - g. **Use the power tool, accessories and tool bits etc., in accordance with these instructions, taking into account the working conditions and the work to be performed.** Use of the power tool for operations different from those intended could result in a hazardous situation.
5. **Service**
- a. **Have your power tool serviced by a qualified repair person using only identical replacement parts.** This will ensure that the safety of the power tool is maintained.

Additional power tool safety warnings



Warning! Additional safety warnings for routers

- ◆ **Hold the power tool by the insulated gripping surfaces, because the cutter may contact its own cord.** Cutting a "live" wire may make exposed metal parts of the power tool "live" and shock the operator.
- ◆ **Use clamps or another practical way to secure and support the workpiece to a stable platform.** Holding the work by hand or against your body leaves it unstable and may lead to loss of control.

Warning! Contact with, or inhalation of dusts arising from routing applications may endanger the health of the operator and possible bystanders. Wear a dust mask specifically designed for protection against dust and fumes and ensure that persons within or entering the work area are also protected.

- ◆ Thoroughly remove all dust after routing.
- ◆ Only use router bits with a shank diameter equal to the size of the collet installed in the tool.
- ◆ Only use router bits suitable for the no-load speed of the tool.
- ◆ Never use router bits with a diameter exceeding the maximum diameter specified in the technical data section.
- ◆ Do not use the tool in an inverted position.
- ◆ Do not attempt to use the tool in a stationary mode.
- ◆ If the supply cord is damaged, it must be replaced by the manufacturer or an authorised Black & Decker Service Centre in order to avoid hazard.
- ◆ Take special care when routing where the paint is possibly lead based or when routing some woods which may produce toxic dust:
 - Do not let children or pregnant women enter the work area.
 - Do not eat, drink or smoke in the work area.
 - Dispose of dust particles and any other debris safely.

- ◆ The intended use is described in this instruction manual. The use of any accessory or attachment or performance of any operation with this tool other than those recommended in this instruction manual may present a risk of personal injury and/or damage to property.

Safety of others

- ◆ This appliance/tool is not intended for use by persons (including children) with reduced physical, sensory or mental capabilities, or lack of experience and knowledge, unless they have been given supervision or instruction concerning use of the appliance by a person responsible for their safety.
- ◆ Children should be supervised to ensure that they do not play with the appliance.

Residual risks.

Additional residual risks may arise when using the tool which may not be included in the enclosed safety warnings. These risks can arise from misuse, prolonged use etc.

Even with the application of the relevant safety regulations and the implementation of safety devices, certain residual risks can not be avoided. These include:

- ◆ **Injuries caused by touching any rotating/moving parts.**
- ◆ **Injuries caused when changing any parts, blades or accessories.**
- ◆ **Injuries caused by prolonged use of a tool. When using any tool for prolonged periods ensure you take regular breaks.**
- ◆ **Impairment of hearing.**
- ◆ **Health hazards caused by breathing dust developed when using your tool (example:- working with wood, especially oak, beech and MDF.)**

Vibration

The declared vibration emission values stated in the technical data and the declaration of conformity have been measured in accordance with a standard test method provided by EN 60745 and may be used for comparing one tool with another. The declared vibration emission value may also be used in a preliminary assessment of exposure.

Warning! The vibration emission value during actual use of the power tool can differ from the declared value depending on the ways in which the tool is used. The vibration level may increase above the level stated.

When assessing vibration exposure to determine safety measures required by 2002/44/EC to protect persons regularly using power tools in employment, an estimation of vibration exposure should consider, the actual conditions of use and the way the tool is used, including taking account of all parts of the operating cycle such as the times when the tool is switched off and when it is running idle in addition to the trigger time.

Labels on tool

The following pictograms are shown on the tool:



Warning! To reduce the risk of injury, the user must read the instruction manual.

Electrical safety



This tool is double insulated; therefore no earth wire is required. Always check that the power supply corresponds to the voltage on the rating plate.

- ◆ If the supply cord is damaged, it must be replaced by the manufacturer or an authorised Black & Decker Service Centre in order to avoid a hazard.

Features

1. On/off switch
2. Lock-off button
3. Variable speed control knob
4. Plunge lock lever
5. Spindle lock button
6. Collet
7. Revolver depth stop
8. Chip deflector
9. Depth stop bar
10. Depth of cut scale
11. Dust extraction adaptor

Assembly

Warning! Before assembly, make sure that the tool is switched off and unplugged.

Fitting a router bit (fig. A)

- ◆ Remove the chip deflector (8).
- ◆ Keep the spindle lock button (5) depressed and rotate the spindle until the spindle lock fully engages.
- ◆ Loosen the collet nut (12) using the spanner provided.
- ◆ Insert the shank of the router bit (13) into the collet (6). Make sure that the shank protrudes at least 3 mm from the collet as shown.
- ◆ Keep the spindle lock button (5) depressed and tighten the collet nut (12) using the spanner provided.

Fitting the edge guide (fig. B)

The edge guide helps to guide the tool parallel to an edge.

- ◆ Fit the bars (14) to the edge guide (15) using the two screws (16) provided.
- ◆ Insert the bars (14) into the router base as shown.
- ◆ Set the edge guide to the required distance.
- ◆ Tighten the fixing screws (17).

Fitting the dust extraction adaptor (fig. C)

The dust extraction adaptor allows you to connect a vacuum cleaner to the tool.

- ◆ Connect the hose (18) of the vacuum cleaner to the adaptor (11).

Fitting the template guide (fig. D)

- ◆ Fit the template guide (19) to the base of the router, with the flange to the bottom (workpiece) side.
- ◆ Insert the two long screws (20) from the bottom side through the template guide and the holes in the base.
- ◆ Place a nut onto each of the screws and securely tighten the nuts.

Fitting the distance piece (fig. E)

- ◆ Fit the distance piece (21) to the base of the router using the screws provided.

Fitting the centring pin (fig. F)

- ◆ Fit the edge guide to the router as shown in fig. B, but upside down.
- ◆ Fit the centring pin (22) to the workpiece side of the edge guide with the screw (23) provided.

Fitting the copy follower (fig. G)

- ◆ Fit the edge guide to the router as shown in fig. B.
- ◆ Fit the 'L' bar (24) to the upper side of the edge guide using the two screws and nuts provided.
- ◆ Adjust the rotating attachment (25) on the 'L' bar with the wing knob (26).

Use

Warning! Let the tool work at its own pace. Do not overload.

- ◆ Carefully guide the cable in order to avoid accidentally cutting it.

Adjusting the depth of cut (fig. H, I & J)

The depth of cut is the distance X between the depth stop bar (9) and the depth stop (27). The depth of cut can be set in two different ways as described below.

Adjusting the depth of cut using the scale (fig. I)

- ◆ Fit the router bit as described above.
- ◆ Loosen the locking screw (28).

- ◆ Pull the plunge lock lever (4) up.
- ◆ Plunge the router down until the router bit touches the workpiece.
- ◆ Push the plunge lock lever (4) down.
- ◆ Move the pointer (29) in the zero position on the scale (10).
- ◆ Add the desired depth of cut to the starting position.
- ◆ Move the depth stop bar (9) to the calculated position on the scale.
- ◆ Tighten the locking screw (28).
- ◆ Fine adjust using the adjusting knob (30).
- ◆ Pull the plunge lock lever (4) up and let the router return to its original position.
- ◆ After switching the router on, plunge it down and make the desired cut.

Adjusting the depth of cut using a piece of wood (fig. J)

- ◆ Fit the router bit and plunge the router down as described above.
- ◆ Pull the depth stop bar (9) up.
- ◆ Place a piece of wood with a thickness equal to the desired depth of cut between the depth stop (27) and the depth stop bar (9).
- ◆ Tighten the locking screw (28).
- ◆ Fine adjust using the adjusting knob (30).
- ◆ Remove the piece of wood.
- ◆ Pull the plunge lock lever (4) up and let the router return to its original position.
- ◆ After switching the router on, plunge it down and make the desired cut.

Adjusting the revolver depth stop (fig. K)

After turning the revolver depth stop to the desired setting, you can fine-adjust the depth stop to be used. If you want to make several cuts with a different depth of cut, adjust each of the depth stops.

- ◆ Turn the depth stop screw (31) up or down as required using a screwdriver.

Setting the speed

- ◆ Set the speed control knob (3) to the required speed. Use a high speed for small diameter router bits. Use a low speed for large diameter router bits.

Using a batten as a guide (fig. L)

When it is not possible to use the edge guide, for example when routing grooves in the back panel of a bookcase to support shelves, proceed as follows:

- ◆ Select a piece of wood with a straight edge to use as a batten.
- ◆ Place the batten onto the workpiece.
- ◆ Move the batten until it is in the correct position to guide the tool.

- ◆ Securely clamp the batten to the workpiece.

Using the template guide (fig. D)

The template guide can be used to make a cutout shape from a template, for instance a letter.

- ◆ Secure the template over the workpiece with double-sided tape or 'G' clamps.
- ◆ The router bit must extend below the flange of the template guide, to cut the workpiece in the shape of the template.

Using the distance piece (fig. E)

The distance piece can be used for trimming wooden or laminate vertical projections.

Using the centring pin (fig. F)

The centring pin can be used to cut out circular patterns.

- ◆ Drill a hole for the point of the centring pin in the centre of the circle to be cut.
- ◆ Place the router on the workpiece with the point of the centring pin in the drilled hole.
- ◆ Adjust the radius of the circle with the bars of the edge guide.
- ◆ The router can now be moved over the workpiece to cut out the circle.

Using the copy follower (fig. G)

The copy follower helps to maintain an equal cutting distance along the edge of irregularly shaped workpieces.

- ◆ Place the router on the workpiece at the desired distance from the edge to be copied.
- ◆ Adjust the bars of the edge guide until the wheel is in contact with the workpiece.

Switching on and off

Switching on

- ◆ Keep the lock-off button (2) depressed and press the on/off switch (1).
- ◆ Release the lock-off button.

Switching off

- ◆ Release the on/off switch.

Warning! Always operate the tool with both hands.

Hints for optimum use

- ◆ When working on outside edges, move the tool counterclockwise (fig. M). When working on inside edges, move the tool clockwise.
- ◆ Use HSS router bits for softwood.
- ◆ Use TCT router bits for hardwood.
- ◆ You can use the tool without a guide (fig. N). This is useful for signwriting and creative work. Only make shallow cuts.
- ◆ Refer to the table below for common types of router bits.

Router bits (fig. 0)

Description	Application
Straight bit (1)	Grooves and rebates
Trimming bit (2)	Trimming laminates or hardwood; accurate profiling using a template
Rebating bit (3)	Rebates on straight or curved workpieces
V-grooving bit (4)	Grooves, engraving and edge bevelling
Core box bit (5)	Fluting, engraving and decorative edge moulding
Cove bit (6)	Decorative edge moulding
Ogee moulding bit (7)	Decorative edge moulding
Rounding over bit (9)	Rounding over edges
Dovetail bit (10)	Dovetail joints
Chamfer bit (11)	Chamfer edges

Maintenance

Your tool has been designed to operate over a long period of time with a minimum of maintenance. Continuous satisfactory operation depends upon proper tool care and regular cleaning.

Warning! Before performing any maintenance, switch off and unplug the tool.

- ◆ Regularly clean the ventilation slots in your tool using a soft brush or dry cloth.
- ◆ Regularly clean the motor housing using a damp cloth. Do not use any abrasive or solvent-based cleaner.

Mains plug replacement (U.K. & Ireland only)

If a new mains plug needs to be fitted:

- ◆ Safely dispose of the old plug.
- ◆ Connect the brown lead to the live terminal in the new plug.
- ◆ Connect the blue lead to the neutral terminal.
- ◆ Connect the green/yellow lead to the earth terminal.

Warning! Follow the fitting instructions supplied with good quality plugs. Recommended fuse: 13 A.

Protecting the environment



Separate collection. This product must not be disposed of with normal household waste.

Should you find one day that your Black & Decker product needs replacement, or if it is of no further use to you, do not dispose of it with household waste. Make this product available for separate collection.



Separate collection of used products and packaging allows materials to be recycled and used again. Re-use of recycled materials helps prevent environmental pollution and reduces the demand for raw materials.

Local regulations may provide for separate collection of electrical products from the household, at municipal waste sites or by the retailer when you purchase a new product.

Black & Decker provides a facility for the collection and recycling of Black & Decker products once they have reached the end of their working life. To take advantage of this service please return your product to any authorised repair agent who will collect them on our behalf.

You can check the location of your nearest authorised repair agent by contacting your local Black & Decker office at the address indicated in this manual. Alternatively, a list of authorised Black & Decker repair agents and full details of our after-sales service and contacts are available on the Internet at: www.2helpU.com

Technical data

	KW900E Type 1	
Input voltage	V _{AC}	230
Power input	W	1,200
No-load speed	min ⁻¹	8,000 - 27,000
Collet size	5/16" (8 mm) / 1/4" (6.35 mm) / 6 mm	
Max. diameter of router bit	mm	30
Max. depth of cut	mm	55
Weight	kg	3.6

Level of sound pressure according to EN 60745:
 Sound pressure (L_{pA}) 95 dB(A), uncertainty (K) 3 dB(A)
 Sound power (L_{WA}) 106 dB(A), uncertainty (K) 3 dB(A)

Vibration total values (triax vector sum) according to EN 60745:

Vibration emission value (a_v) 5.77 m/s²,
 uncertainty (K) 1.5 m/s²

EC declaration of conformity

MACHINERY DIRECTIVE



Black & Decker declares that these products described under "technical data" are in compliance with:
2006/42/EC, EN 60745-1, EN 60745-2-11

For more information, please contact Black & Decker at the following address or refer to the back of the manual.

The undersigned is responsible for compilation of the technical file and makes this declaration on behalf of Black & Decker.

Kevin Hewitt
Vice-President Global Engineering
Black & Decker Europe, 210 Bath Road, Slough,
Berkshire, SL1 3YD
United Kingdom
31/03/2010

Guarantee

Black & Decker is confident of the quality of its products and offers an outstanding guarantee. This guarantee statement is in addition to and in no way prejudices your statutory rights. The guarantee is valid within the territories of the Member States of the European Union and the European Free Trade Area.

If a Black & Decker product becomes defective due to faulty materials, workmanship or lack of conformity, within 24 months from the date of purchase, Black & Decker guarantees to replace defective parts, repair products subjected to fair wear and tear or replace such products to ensure minimum inconvenience to the customer unless:

- ◆ The product has been used for trade, professional or hire purposes;
- ◆ The product has been subjected to misuse or neglect;
- ◆ The product has sustained damage through foreign objects, substances or accidents;
- ◆ Repairs have been attempted by persons other than authorised repair agents or Black & Decker service staff.

To claim on the guarantee, you will need to submit proof of purchase to the seller or an authorised repair agent. You can check the location of your nearest authorised repair agent by contacting your local Black & Decker office at the address indicated in this manual. Alternatively, a list of authorised Black & Decker repair agents and full details of our after-sales service and contacts are available on the Internet at:

www.2helpU.com

Please visit our website **www.blackanddecker.co.uk** to register your new Black & Decker product and to be kept up to date on new products and special offers. Further information on the Black & Decker brand and our range of products is available at **www.blackanddecker.co.uk**

Bestimmungsgemäße Verwendung

Ihre Black & Decker Handoberfräse wurde zum Fräsen von Holz und Holzprodukten entwickelt. Dieses Gerät ist nicht für den gewerblichen Einsatz vorgesehen.

Sicherheitshinweise

Allgemeine Warnhinweise zur Sicherheit von Elektrowerkzeugen



Achtung! Lesen Sie sämtliche Sicherheitswarnhinweise und sonstigen Anweisungen.

Die Nichteinhaltung der nachstehend aufgeführten Warnhinweise und sonstigen Anweisungen kann einen elektrischen Schlag, Brand und/oder schwere Verletzungen verursachen.

Bewahren Sie alle Warnhinweise und sonstigen Anweisungen zur künftigen Bezugnahme auf.

Der nachfolgend verwendete Begriff "Gerät" bezieht sich auf netzbetriebene Geräte (mit Netzkabel) und auf akkubetriebene Geräte (ohne Netzkabel).

1. **Sicherheit am Arbeitsplatz**
 - a. **Halten Sie Ihren Arbeitsbereich sauber und gut ausgeleuchtet.** Unordnung und dunkle Arbeitsbereiche fordern Unfälle geradezu heraus.
 - b. **Arbeiten Sie mit Geräten nicht in explosionsgefährdeter Umgebung, in der sich brennbare Flüssigkeiten, Gase oder Stäube befinden.** Geräte erzeugen Funken, die den Staub oder die Dämpfe entzünden können.
 - c. **Halten Sie Kinder und andere Personen während der Benutzung eines Geräts fern.** Bei Ablenkung können Sie die Kontrolle verlieren.
2. **Elektrische Sicherheit**
 - a. **Der Anschlussstecker des Geräts muß in die Steckdose passen. Der Stecker darf in keiner Weise verändert werden. Verwenden Sie keine Adapterstecker gemeinsam mit schutzgeerdeten Geräten.** Unveränderte Stecker und passende Steckdosen verringern das Risiko eines elektrischen Schlages.
 - b. **Vermeiden Sie Körperkontakt mit geerdeten Oberflächen von Rohren, Heizungen, Herden und Kühlschränken.** Es besteht ein erhöhtes Risiko eines elektrischen Schlags, wenn Ihr Körper geerdet ist.
 - c. **Halten Sie Geräte von Regen und Nässe fern.** Das Eindringen von Wasser in ein Gerät erhöht das Risiko eines elektrischen Schlages.
 - d. **Mißbrauchen Sie nicht das Kabel. Verwenden Sie das Kabel niemals zum Tragen, Ziehen oder Trennen des Gerätes vom Netz. Halten Sie das Kabel fern von Hitze, Öl, scharfen Kanten oder sich bewegenden Teilen.** Beschädigte oder verwickelte Kabel erhöhen das Risiko eines elektrischen Schlages.
 - e. **Wenn Sie mit einem Gerät im Freien arbeiten, verwenden Sie nur Verlängerungskabel, die auch für den Außenbereich zugelassen sind.** Die Verwendung eines für den Außenbereich geeigneten Verlängerungskabels verringert das Risiko eines elektrischen Schlages.
 - f. **Falls der Betrieb des Elektrowerkzeugs in einer feuchten Umgebung unvermeidbar ist, verwenden Sie einen mit einem Fehlerstromschutzschalter (FI-Schutzschalter) abgesicherten Stromkreis.** Durch die Verwendung eines FI-Schutzschalters wird das Risiko eines Stromschlags verringert.
3. **Sicherheit von Personen**
 - a. **Seien Sie aufmerksam, achten Sie darauf, was Sie tun, und gehen Sie vernünftig mit einem Gerät um. Benutzen Sie das Gerät nicht, wenn Sie müde sind oder unter dem Einfluß von Drogen, Alkohol oder Medikamenten stehen.** Ein Moment der Unachtsamkeit beim Gebrauch von Geräten kann zu ernsthaften Verletzungen führen.
 - b. **Tragen Sie persönliche Schutzausrüstung. Tragen Sie immer eine Schutzbrille.** Das Tragen persönlicher Schutzausrüstung, wie Staubmaske, rutschfeste Sicherheitsschuhe, Schutzhelm oder Gehörschutz, je nach Art und Einsatz des Elektrowerkzeuges, verringert das Risiko von Verletzungen.
 - c. **Vermeiden Sie eine unbeabsichtigte Inbetriebnahme. Vergewissern Sie sich, dass der Schalter auf der Aus-Stellung steht, bevor Sie den Stecker in die Steckdose stecken und/oder das Akkupaket im Werkzeug stecken, das Werkzeug aufnehmen oder tragen.** Wenn Sie beim Tragen des Elektrowerkzeuges den Finger am Schalter haben oder das Werkzeug eingeschaltet an die Stromversorgung anschließen, kann dies zu Unfällen führen.
 - d. **Entfernen Sie Einstell- oder Schraubenschlüssel, bevor Sie das Gerät einschalten.** Ein Schlüssel, der sich in einem sich drehenden Teil befindet, kann zu Verletzungen führen.
 - e. **Nicht zu weit nach vorne strecken! Achten Sie auf einen sicheren Stand, um in jeder Arbeitsposition das Gleichgewicht zu halten.** Dadurch können Sie das Gerät in unerwarteten Situationen besser unter Kontrolle halten.
 - f. **Tragen Sie geeignete Kleidung. Tragen Sie keine weite Kleidung oder Schmuck. Halten Sie Haare, Kleidung und Handschuhe fern von sich bewegenden Teilen.** Lockere Kleidung, Schmuck oder lange Haare können von sich bewegenden Teilen erfaßt werden.
 - g. **Falls Staubabsaug- und -auffangvorrichtungen vorhanden sind, vergewissern Sie sich, daß diese angeschlossen sind und richtig verwendet werden.** Das Verwenden dieser Einrichtungen verringert Gefährdungen durch Staub.

4. Gebrauch und Pflege von Geräten

- a. **Überlasten Sie das Gerät nicht. Verwenden Sie für Ihre Arbeit das dafür bestimmte Gerät.** Mit dem passenden Gerät arbeiten Sie besser und sicherer im angegebenen Leistungsbereich.
- b. **Benutzen Sie kein Gerät, dessen Schalter defekt ist.** Ein Gerät, das sich nicht mehr ein- oder ausschalten läßt, ist gefährlich und muß repariert werden.
- c. **Trennen Sie den Stecker von der Stromquelle und/ oder das Akkupaket vom Elektrowerkzeug, bevor Einstellungen vorgenommen, Zubehör gewechselt oder Elektrowerkzeuge verstaut werden.** Diese Vorsichtsmaßnahmen verhindern den unbeabsichtigten Start des Gerätes.
- d. **Bewahren Sie unbenutzte Geräte außerhalb der Reichweite von Kindern auf. Lassen Sie Geräte nicht von Personen benutzen, die damit nicht vertraut sind oder diese Anweisungen nicht gelesen haben.** Geräte sind gefährlich, wenn Sie von unerfahrenen Personen benutzt werden.
- e. **Halten Sie Geräte in einem einwandfreien Zustand. Kontrollieren Sie, ob bewegliche Teile falsch ausgerichtet sind oder klemmen und ob Teile gebrochen oder so beschädigt sind, daß die Funktion des Geräts beeinträchtigt ist. Lassen Sie beschädigte Geräte vor dem Gebrauch reparieren.** Viele Unfälle haben ihre Ursache in schlecht gewarteten Geräten.
- f. **Halten Sie Schneidgeräte scharf und sauber.** Sorgfältig gepflegte Schneidgeräte mit scharfen Schneidkanten verklemmen sich weniger und sind leichter zu führen.
- g. **Verwenden Sie das Elektrowerkzeug, Zubehör sowie Werkzeug-Bits, usw. entsprechend diesen Anweisungen. Berücksichtigen Sie dabei die Arbeitsbedingungen sowie die durchzuführende Arbeit.** Der Gebrauch von Geräten für andere als die vorgesehenen Anwendungen kann zu gefährlichen Situationen führen.

5. Service

- a. **Lassen Sie Ihr Gerät nur von qualifiziertem Fachpersonal und nur mit Original-Ersatzteilen reparieren.** Damit wird gewährleistet, daß die Sicherheit des Geräts erhalten bleibt.

Zusätzliche Warnhinweise zur Sicherheit von Elektrowerkzeugen



Achtung! Zusätzliche Warnhinweise zur Sicherheit von Handoberfräsen

- ◆ **Halten Sie das Elektrowerkzeug an den isolierten Griffflächen, weil der Fräser die eigene Anschlußleitung berühren könnte.** Wird eine spannungsführende Leitung an- oder durchgeschnitten, werden die freiliegenden Metallteile des Elektrowerkzeugs unter Spannung gesetzt und der Benutzer erleidet einen Stromschlag.
 - ◆ **Verwenden Sie Zwingen oder ähnliche Mittel, um das Werkstück auf einer stabilen Plattform zu halten und zu sichern.** Falls das Werkstück mit der Hand oder gegen den Körper gehalten wird, bleibt es instabil und Sie können die Kontrolle verlieren.
- Achtung!** Ein Kontakt mit Stäuben oder das Einatmen von Stäuben, die durch die Fräsarbeit entstehen, kann die Gesundheit des Bedieners und eventueller anderer Personen in der Nähe des Geräts gefährden. Tragen Sie zum Schutz vor Stäuben und Dämpfen eine Staubmaske, und stellen Sie sicher, daß auch andere Personen geschützt sind, die den Arbeitsplatz betreten oder sich darin aufhalten.
- ◆ Entfernen Sie nach dem Fräsen sorgfältig alle Staubreste.
 - ◆ Verwenden Sie nur Fräser mit einem Schaftdurchmesser, der der Größe der im Gerät angebrachten Spannzange entspricht.
 - ◆ Verwenden Sie nur Fräser, die für die Leerlaufdrehzahl des Geräts geeignet sind.
 - ◆ Verwenden Sie niemals Fräser mit einem Durchmesser, der größer ist als der in den technischen Daten angegebene maximale Durchmesser.
 - ◆ Verwenden Sie das Gerät nicht in einer umgekehrten Position.
 - ◆ Versuchen Sie nicht, das Gerät stationär zu verwenden.
 - ◆ Falls das Netzkabel beschädigt ist, so ist es vom Hersteller oder einem autorisierten Black & Decker Service Center auszutauschen, um Gefahren vorzubeugen.
 - ◆ Gehen Sie besonders vorsichtig vor, wenn Sie Fräsarbeiten auf bleihaltiger Farbe durchführen oder wenn Sie bestimmte Holzarten fräsen, welche giftigen Staub verursachen.
 - Verhindern Sie, daß Kinder oder Schwangere den Arbeitsplatz betreten.
 - Essen, trinken und rauchen Sie nicht am Arbeitsplatz.
 - Entsorgen Sie Staubteilchen und andere Schleifabfälle auf sachgerechte Weise.
 - ◆ Dieses Gerät darf nicht von Personen (einschließlich Kindern) mit eingeschränkten körperlichen, sensorischen oder geistigen Fähigkeiten verwendet werden. Auch darf es nicht von Personen verwendet werden, die keine Erfahrung mit dem Gerät oder Kenntnis darüber haben, es sei denn, sie stehen beim Gebrauch unter der Aufsicht und Anleitung einer für deren Sicherheit verantwortlichen Person. Kinder müssen beaufsichtigt werden, um sicherzustellen, daß sie nicht mit dem Gerät spielen.
 - ◆ Die bestimmungsgemäße Verwendung ist in dieser Bedienungsanleitung beschrieben. Das Verwenden anderer als der in dieser Anleitung empfohlenen

Anbaugeräte und Zubehörteile oder die Ausführung von Arbeiten mit diesem Gerät, die nicht der bestimmungsgemäßen Verwendung entsprechen, kann zu Unfallgefahren und/oder Sachschäden führen.

verwendet wird. Der Vibrationswert kann über den angegebenen Wert hinaus ansteigen.

Bei der Einstufung der Vibrationen zur Festlegung der von 2002/44/EG geforderten Sicherheitsmaßnahmen zum Schutz von Personen, die beruflich regelmäßig mit Elektrowerkzeugen arbeiten, muß eine Vibrationseinstufung die tatsächlichen Gebrauchsbedingungen und die Art und Weise berücksichtigen, wie das Werkzeug verwendet wird. Auch müssen alle Aspekte des Arbeitszyklus berücksichtigt werden, wie beispielsweise die Zeiten, in denen das Werkzeug aus- und eingeschaltet ist und im Leerlauf läuft.

Schilder auf dem Gerät

Es befinden sich folgende Bildzeichen auf dem Gerät:



Achtung! Um die Verletzungsgefahr zu verringern, muß der Benutzer die Bedienungsanleitung lesen.

Elektrische Sicherheit



Dieses Gerät ist schutzisoliert, daher ist keine Erdleitung erforderlich. Überprüfen Sie immer, ob die Netzspannung der auf dem Typenschild des Elektrowerkzeuges angegebenen Spannung entspricht.

- ◆ Falls das Netzkabel beschädigt ist, so ist es vom Hersteller oder einem autorisierten Black & Decker Service Center auszutauschen, um Gefahren vorzubeugen.

Merkmale

1. Ein-/Aus-Schalter
2. Einschaltsperr
3. Drehzahl-Vorwahlknopf
4. Sicherungshebel
5. Spindelarretierung
6. Spannzange
7. Revolver-Tiefenanschlag
8. Spanableiter
9. Tiefenanschlagstange
10. Frästiefenskala
11. Staubsauger-Adapter

Montage

Achtung! Vergewissern Sie sich vor der Montage, daß das Gerät ausgeschaltet ist und daß der Netzstecker gezogen wurde.

Anbringen eines Fräasers (Abb. A)

- ◆ Entfernen Sie den Spanableiter (8).
- ◆ Halten Sie den Spindelarretierungsknopf (5) gedrückt, und drehen Sie die Spindel, bis die Spindelarretierung vollständig arretiert.

Sicherheit anderer Personen

- ◆ Dieses Gerät darf nicht von Personen (einschließlich Kindern) mit eingeschränkten körperlichen, sensorischen oder geistigen Fähigkeiten verwendet werden. Auch darf es nicht von Personen verwendet werden, die keine Erfahrung mit dem Gerät oder Kenntnis darüber haben, es sei denn, sie stehen beim Gebrauch unter der Aufsicht und Anleitung einer für deren Sicherheit verantwortlichen Person.
- ◆ Kinder müssen beaufsichtigt werden, um sicherzustellen, daß sie nicht mit dem Gerät spielen.

Restrisiken.

Für den Gebrauch dieses Geräts verbleiben zusätzliche Restrisiken, die möglicherweise nicht in den Sicherheitswarnungen genannt werden. Diese Risiken bestehen beispielsweise bei Missbrauch oder längerem Gebrauch.

Auch bei der Einhaltung der entsprechenden Sicherheitsvorschriften und der Verwendung aller Sicherheitsgeräte bestehen weiterhin bestimmte Restrisiken. Diese werden im Folgenden aufgeführt:

- ◆ **Verletzungen, die durch das Berühren von sich drehenden/bewegenden Teilen verursacht werden.**
- ◆ **Verletzungen, die durch das Austauschen von Teilen, Messern oder Zubehör verursacht werden.**
- ◆ **Verletzungen, die durch längeren Gebrauch eines Geräts verursacht werden. Legen Sie bei längerem Gebrauch regelmäßige Pausen ein.**
- ◆ **Beeinträchtigung des Gehörs.**
- ◆ **Gesundheitsrisiken durch das Einatmen von Staub beim Gebrauch des Geräts (Beispielsweise bei Holzarbeiten, insbesondere Eiche, Buche und Pressspan).**

Vibrationen

Die angegebenen Vibrationswerte in den Technischen Daten und der Konformitätserklärung wurden gemäß einer standardisierten und durch EN 60745 festgelegten Prüfmethode gemessen und können herangezogen werden, um ein Werkzeug mit einem anderen zu vergleichen. Der angegebene Vibrationswert kann auch für eine vorläufige Einstufung der Freisetzung herangezogen werden.

Achtung! Der Vibrationswert beim eigentlichen Gebrauch des Elektrowerkzeugs kann vom angegebenen Wert abweichen. Dies hängt davon ab, auf welche Weise das Werkzeug

- ◆ Lösen Sie die Spannzangenmutter (12) mit dem mitgelieferten Schraubenschlüssel.
- ◆ Setzen Sie den Schaft des Fräasers (13) in die Spannzange (6). Vergewissern Sie sich, daß der Schaft wie angegeben mindestens 3 mm aus der Spannzange herausragt.
- ◆ Halten Sie den Spindelarretierungsknopf (5) gedrückt, und ziehen Sie die Spannzangenmutter (12) mit dem mitgelieferten Schraubenschlüssel an.

Anbringen der Kantenführungsschiene (Abb. B)

Die Kantenführungsschiene unterstützt dabei, das Gerät parallel zu einer Kante zu führen.

- ◆ Bringen Sie die Stangen (14) unter Verwendung der beiden mitgelieferten Schrauben (16) an der Kantenführungsschiene (15) an.
- ◆ Setzen Sie die Stangen (14) wie angegeben in den Fuß der Handoberfräse ein.
- ◆ Stellen Sie die Kantenführungsschiene auf den gewünschten Abstand ein.
- ◆ Ziehen Sie die Klemmschrauben (17) an.

Anbringen des Staubsauger-Adapters (Abb. C)

Mit dem Staubsauger-Adapter ist es möglich, einen Staubsauger mit dem Gerät zu verbinden.

- ◆ Schließen Sie den Staubsaugerschlauch (18) am Adapter (11) an.

Anbringen der Schablonenführung (Abb. D)

- ◆ Bringen Sie die Schablonenführung (19) am Fuß der Handoberfräse an, wobei der Flansch zur Unterseite (Werkstückseite) weisen muß.
- ◆ Setzen Sie die beiden Langschrauben (20) von der Unterseite durch die Schablonenführung in die Löcher im Fuß ein.
- ◆ Drehen Sie eine Mutter auf jede Schraube, und ziehen Sie die Muttern sicher an.

Anbringen des Distanzstücks (Abb. E)

- ◆ Bringen Sie das Distanzstück (21) mit den mitgelieferten Schrauben am Fuß der Handoberfräse an.

Anbringen des Zentrierstifts (Abb. F)

- ◆ Bringen Sie die Kantenführungsschiene gemäß Abbildung B an der Handoberfräse an, jedoch in umgedrehter Lage.
- ◆ Bringen Sie den Zentrierstift (22) auf der Werkstückseite der Kantenführungsschiene mit der mitgelieferten Schraube (23) an.

Anbringen des Kopierfolgers (Abb. G)

- ◆ Bringen Sie die Kantenführungsschiene gemäß Abbildung B an der Handoberfräse an.

- ◆ Bringen Sie die "L"-Schiene (24) mit den beiden mitgelieferten Schrauben und Muttern an der oberen Seite der Kantenführungsschiene an.
- ◆ Stellen Sie die Rotationsaufsatz (25) mit der Flügelschraube (26) auf der "L"-Schiene ein.

Gebrauch

Achtung! Beschleunigen Sie den Arbeitsvorgang nicht mit Gewalt. Vermeiden Sie eine Überlastung des Gerätes.

- ◆ Führen Sie das Kabel sorgfältig, damit Sie es nicht versehentlich durchschneiden.

Einstellen der Frästiefe (Abb. H, I & J)

Die Frästiefe ist der Abstand X zwischen der Tiefenanschlagstange (9) und dem Tiefenanschlag (27). Die Frästiefe kann wie unten beschrieben auf zweierlei Arten eingestellt werden.

Einstellen der Frästiefe unter Verwendung der Skala (Abb. I)

- ◆ Bringen Sie den Fräser wie oben beschrieben an.
- ◆ Lockern Sie die Sicherungsschraube (28).
- ◆ Ziehen Sie den Sicherungshebel (4) nach oben.
- ◆ Tauchen Sie die Handoberfräse ein, bis der Fräser das Werkstück berührt.
- ◆ Drücken Sie den Sicherungshebel (4) nach unten.
- ◆ Bewegen Sie den Zeiger (29) zur Nullstellung auf der Skala (10).
- ◆ Addieren Sie die gewünschte Frästiefe zur Anfangsposition hinzu.
- ◆ Bewegen Sie die Tiefenanschlagstange (9) zur errechneten Position auf der Skala.
- ◆ Ziehen Sie die Sicherungsschraube (28) an.
- ◆ Machen Sie mit dem Einstellknopf (30) eine Feineinstellung.
- ◆ Ziehen Sie den Sicherungshebel (4) nach oben, und lassen Sie die Handoberfräse in ihre Ausgangslage zurückkehren.
- ◆ Nach dem Einschalten der Handoberfräse tauchen Sie sie ein und führen Sie den gewünschten Schnitt durch.

Einstellen der Frästiefe mit einem Stück Holz (Abb. J)

- ◆ Bringen Sie den Fräser an und tauchen Sie die Fräse wie oben beschrieben ein.
- ◆ Ziehen Sie die Tiefenanschlagstange (9) nach oben.
- ◆ Setzen Sie ein Stück Holz zwischen den Tiefenanschlag (27) und die Tiefenanschlagstange (9), dessen Stärke der gewünschten Frästiefe entspricht.
- ◆ Ziehen Sie die Sicherungsschraube (28) an.
- ◆ Machen Sie mit dem Einstellknopf (30) eine Feineinstellung.
- ◆ Entfernen Sie das Stück Holz.
- ◆ Ziehen Sie den Sicherungshebel (4) nach oben, und lassen Sie die Handoberfräse in ihre Ausgangslage zurückkehren.

- ◆ Nach dem Einschalten der Handoberfräse tauchen Sie sie ein und führen Sie den gewünschten Schnitt durch.

Einstellen des Revolver-Tiefenanschlags (Abb. K)

Nachdem der Revolver-Tiefenanschlag auf die gewünschte Einstellung gedreht wurde, können Sie eine Feineinstellung am zu verwendenden Tiefenanschlag vornehmen. Falls Sie mehrere Schnitte mit unterschiedlichen Frästiefen machen möchten, stellen Sie jeden der Tiefenanschläge entsprechend ein.

- ◆ Drehen Sie die Tiefenanschlagschraube (31) mit einem Schraubendreher wie erforderlich nach oben oder unten.

Einstellen der Geschwindigkeit

- ◆ Stellen Sie den Geschwindigkeitsvorwahlknopf (3) auf die gewünschte Geschwindigkeit ein. Verwenden Sie bei Fräsern mit einem kleinen Durchmesser eine hohe Drehzahl. Verwenden Sie bei Fräsern mit einem großen Durchmesser eine niedrige Drehzahl.

Verwendung einer Führungsleiste (Abb. L)

Sollte es nicht möglich sein, die Kantenführungsschiene zu verwenden, beispielsweise beim Fräsen von Nuten in die Rückwand eines Bücherregals zum Abstützen der Böden, gehen Sie folgendermaßen vor:

- ◆ Wählen Sie ein als Leiste zu verwendendes Stück Holz mit einer geraden Kante aus.
- ◆ Legen Sie die Leiste auf das Werkstück.
- ◆ Bewegen Sie die Leiste, bis sie sich in der richtigen Lage befindet, um das Gerät zu führen.
- ◆ Spannen Sie die Leiste sicher am Werkstück fest.

Verwendung der Schablonenführung (Abb. D)

Die Schablonenführung kann verwendet werden, um eine Schnittform von einer Schablone ausgehend durchzuführen, wie beispielsweise bei einem Buchstaben.

- ◆ Sichern Sie die Schablone mit doppelseitigem Klebeband oder Schraubzwingen über dem Werkstück.
- ◆ Der Fräser muß unterhalb des Flansches der Schablonenführung herausragen, um das Werkstück in der Form der Schablone zu fräsen.

Verwendung des Distanzstücks (Abb. E)

Das Distanzstück kann verwendet werden, um senkrechte Holz- oder Laminatorvorsprünge zu kürzen.

Verwendung des Zentrierstifts (Abb. F)

Der Zentrierstift kann verwendet werden, um Kreismuster zu fräsen.

- ◆ Bohren Sie ein Loch für den Punkt des Zentrierstifts in die auszufräsende Kreismitte.

- ◆ Setzen Sie die Handoberfräse auf das Werkstück, wobei sich der Punkt des Zentrierstifts in der Lochbohrung befinden muß.
- ◆ Stellen Sie den Kreisradius mit den Stangen der Kantenführungsschiene ein.
- ◆ Die Fräse kann nun über das Werkstück bewegt werden, um den Kreis auszufräsen.

Verwendung des Kopierfolgers (Abb. G)

Der Kopierfolger hilft dabei, eine gleichbleibende Schnittdistanz entlang der Kante von Werkstücken mit unregelmäßigen Formen aufrechtzuerhalten.

- ◆ Setzen Sie die Handoberfräse mit der gewünschten Entfernung von der zu kopierenden Kante auf das Werkstück.
- ◆ Stellen Sie die Stangen der Kantenführungsschiene ein, bis das Rad das Werkstück berührt.

Ein- und Ausschalten

Einschalten

- ◆ Halten Sie die Einschaltsperrleiste (2) gedrückt, und drücken Sie auf den Ein-/Ausschalter (1).
- ◆ Lassen Sie die Einschaltsperrleiste los.

Ausschalten

- ◆ Lassen Sie den Ein-/Ausschalter los.

Achtung! Betreiben Sie das Gerät immer mit beiden Händen.

Hinweise für optimale Arbeitsergebnisse

- ◆ Bei Arbeiten an Außenkanten bewegen Sie das Gerät gegen den Uhrzeigersinn (Abb. M). Bei Arbeiten an Innenkanten bewegen Sie das Gerät im Uhrzeigersinn.
- ◆ Verwenden Sie für Weichholz HSS-Fräser.
- ◆ Verwenden Sie für Hartholz TCT-Fräser.
- ◆ Sie können das Gerät auch ohne Führung verwenden (Abb. N). Dies ist beim Erstellen von Schildern und für kreative Arbeiten nützlich. Machen Sie nur Flachschnitte.
- ◆ Die gebräuchlichsten Fräser sind in der Tabelle unten aufgeführt.

Fräser (Abb. O)

Beschreibung	Anwendung
Gerader Fräser (1)	Nuten und Falze
Beschneidungsfräser (2)	Beschneiden von Laminat oder Hartholz; präzise Profilage unter Verwendung einer Schablone
Falzfräser (3)	Falze auf geraden oder kurvigen Werkstücken
V-Nutenfräser (4)	Nuten, Gravuren und Abrunden von Kanten
Kernfräser (5)	Riffeln, Gravuren und dekorative Kantenformung
Kehlfräser (6)	Dekorative Kantenformung
Spitzbogenfräser (7)	Dekorative Kantenformung
Rundungsfräser (9)	Abrunden von Kanten
Schwalbenschwanzfräser (10)	Schwalbenschwanzverbindungen
Fasenfräser (11)	Abschrägen von Kanten

Wartung

Ihr Gerät wurde für eine lange Lebensdauer und einen möglichst geringen Wartungsaufwand entwickelt. Ein dauerhafter, einwandfreier Betrieb setzt eine regelmäßige Pflege und Reinigung voraus.

Achtung! Bevor Sie irgendwelche Wartungsarbeiten vornehmen, schalten Sie das Gerät aus, und ziehen Sie den Netzstecker.

- ◆ Reinigen Sie regelmäßig die Lüftungsschlitze im Gerät mit Hilfe einer weichen Bürste oder eines trockenen Tuches.
- ◆ Reinigen Sie regelmäßig das Motorgehäuse mit Hilfe eines feuchten Tuches. Verwenden Sie keine scheuernden Reinigungsmittel oder Reinigungsmittel auf Lösungsmittelbasis.

Umweltschutz



Getrennte Entsorgung. Dieses Produkt darf nicht über den normalen Hausmüll entsorgt werden.

Sollte Ihr Black & Decker Produkt eines Tages erneuert werden müssen, oder falls Sie es nicht weiter verwenden wollen, so darf es nicht über den Hausmüll entsorgt werden. Stellen Sie dieses Produkt zur getrennten Entsorgung bereit.



Durch die getrennte Entsorgung gebrauchter Produkte und Verpackungen können die Materialien recycelt und wiederverwertet werden. Die Wiederverwertung recycelter Materialien schont die Umwelt und verringert die Nachfrage nach Rohstoffen.

Die regionalen Bestimmungen schreiben unter Umständen die getrennte Entsorgung elektrischer Produkte aus dem Haushalt an Sammelstellen oder seitens des Händlers vor, bei dem Sie das neue Produkt erworben haben.

Black & Decker nimmt Ihre ausgedienten Black & Decker Geräte gern zurück und sorgt für eine umweltfreundliche Entsorgung und Wiederverwertung. Um diesen Dienst zu nutzen, schicken Sie bitte Ihr Produkt zu einer Vertragswerkstatt. Hier wird es dann auf unsere Kosten gesammelt.

Die Adresse der zuständigen Black & Decker Vertretung steht in diesem Handbuch, darüber läßt sich die nächstgelegene Vertragswerkstatt ermitteln. Außerdem ist eine Liste der Vertragswerkstätten und aller Kundendienststellen von Black & Decker sowie der zuständigen Ansprechpartner im Internet zu finden unter: www.2helpU.com

Technische Daten

	KW900E Type 1	
Spannung	V _{AC}	230
Leistungsaufnahme	W	1.200
Leerlaufdrehzahl	min ⁻¹	8.000 - 27.000
Spannzangengröße		5/16" (8 mm) /
		1/4" (6,35 mm) / 6 mm
Max. Durchmesser des Fräsers	mm	30
Max. Frästiefe	mm	55
Gewicht	kg	3,6

Höhe des Schalldrucks gemäß EN 60745:
 Schalldruck (L_{pA}) 95 dB(A), Unsicherheitsfaktor (K) 3 dB(A)
 Schalleistung (L_{WA}) 106 dB(A),
 Unsicherheitsfaktor (K) 3 dB(A)

Gesamtvibrationswerte (Triax-Vektorsumme) gemäß EN 60745:
 Vibrationswert (a_{h1}) 5,77 m/s², Unsicherheitsfaktor (K) 1,5 m/s²

EG-Konformitätserklärung

MASCHINENRICHTLINIE



Black & Decker erklärt, daß diese unter "Technische Daten" beschriebenen Produkte folgende Richtlinien erfüllen:
2006/42/EG, EN 60745-1, EN 60745-2-11

Wenden Sie sich für weitere Informationen bitte an folgende Black & Decker Anschrift bzw. an die hinten im Handbuch angegebene Anschrift.

Der Unterzeichnete ist für die Zusammenstellung der technischen Datei verantwortlich und gibt diese Erklärung im Namen von Black & Decker ab.

Kevin Hewitt
Vice-President Global Engineering
Black & Decker Europe, 210 Bath Road, Slough,
Berkshire, SL1 3YD
Vereinigtes Königreich
31/03/2010

Garantie

Black & Decker vertraut auf die Qualität der eigenen Geräte und bietet dem Käufer eine außergewöhnliche Garantie. Diese Garantiezusage versteht sich unbeschadet der gesetzlichen Gewährleistungsansprüche und schränkt diese keinesfalls ein. Sie gilt in sämtlichen Mitgliedsstaaten der Europäischen Union und der Europäischen Freihandelszone EFTA.

Tritt innerhalb von 24 Monaten ab Kaufdatum an einem Gerät von Black & Decker ein auf Material- oder Verarbeitungsfehler zurückzuführender Mangel auf, garantiert Black & Decker den Austausch defekter Teile, die Reparatur von Geräten mit üblichem Verschleiß bzw. den Austausch eines mangelhaften Geräts, ohne den Kunden dabei mehr als unbedingt nötig in Anspruch zu nehmen, allerdings vorbehaltlich folgender Ausnahmen:

- ◆ wenn das Gerät gewerblich, beruflich oder im Verleihgeschäft benutzt wurde;
- ◆ wenn das Gerät mißbräuchlich verwendet oder mit mangelnder Sorgfalt behandelt wurde;
- ◆ wenn das Gerät durch irgendwelche Fremdeinwirkung beschädigt wurde;
- ◆ wenn ein unbefugter Reparaturversuch durch anderes Personal als das einer Vertragswerkstatt oder des Black & Decker-Kundendienstes unternommen wurde.

Zur Inanspruchnahme dieser Garantie ist dem Verkäufer bzw. der Vertragswerkstatt ein Kaufnachweis vorzulegen. Der Kaufnachweis muß Kaufdatum und Gerätetyp bescheinigen. Die Adresse des zuständigen Büros von Black & Decker steht in dieser Anleitung, darüber läßt sich die nächstgelegene Vertragswerkstatt ermitteln. Außerdem ist eine Liste der Vertragswerkstätten und aller Kundendienststellen von Black & Decker sowie der zuständigen Ansprechpartner im Internet zu finden unter: www.2helpU.com

Bitte besuchen Sie unsere Webseite www.blackanddecker.de, um Ihr neues Black & Decker Produkt zu registrieren und über neue Produkte und Sonderangebote aktuell informiert zu werden. Weitere Informationen über die Marke Black & Decker und unsere Produkte finden Sie unter www.blackanddecker.de

Utilisation prévue

Votre fraiseuse Black & Decker a été conçue pour fraiser le bois et les produits en bois. Cet outil a été conçu pour une utilisation exclusivement domestique.

Instructions de sécurité

Consignes de sécurité générales pour les outils électriques



Attention ! Prenez connaissance de tous les avertissements de sécurité et de toutes les instructions. Le non-respect des avertissements et des instructions indiqués ci-dessous peut entraîner une électrocution, un incendie ou de graves blessures.

Conservez tous les avertissements et instructions pour référence future. La notion d'« outil électroportatif » mentionnée par la suite se rapporte à des outils électriques raccordés au secteur (avec câble de raccordement) ou fonctionnant sur piles (sans fil).

1. Sécurité de la zone de travail

- a. **Maintenez la zone de travail propre et bien éclairée.** Un lieu de travail en désordre ou mal éclairé augmente le risque d'accidents.
- b. **N'utilisez pas les outils électroportatifs dans un environnement présentant des risques d'explosion ni en présence de liquides, gaz ou poussières inflammables.** Les outils électroportatifs génèrent des étincelles risquant d'enflammer les poussières ou les vapeurs.
- c. **Tenez les enfants et autres personnes éloignés durant l'utilisation de l'outil électroportatif.** En cas d'inattention, vous risquez de perdre le contrôle sur l'outil.

2. Sécurité électrique

- a. **La fiche de secteur de l'outil électroportatif doit convenir à la prise de courant. Ne modifiez en aucun cas la fiche. N'utilisez pas de fiches d'adaptateur avec des outils ayant une prise de terre.** Les fiches non modifiées et les prises de courant appropriées réduisent le risque d'électrocution.
- b. **Évitez le contact physique avec des surfaces mises à la terre telles que tuyaux, radiateurs, fours et réfrigérateurs.** Il y a un risque élevé d'électrocution si votre corps est relié à la terre.
- c. **N'exposez pas l'outil électroportatif à la pluie ni à l'humidité.** La pénétration d'eau dans un outil électroportatif augmente le risque d'électrocution.
- d. **Préservez le câble d'alimentation. N'utilisez pas le câble à d'autres fins que celles prévues, notamment**

pour porter l'outil, l'accrocher voire le débrancher de la prise de courant. Maintenez le câble éloigné des sources de chaleur, des parties grasses, des bords tranchants ou des parties de l'outil en rotation.

Un câble endommagé ou enchevêtré augmente le risque d'électrocution.

- e. **Si vous utilisez l'outil électroportatif à l'extérieur, utilisez une rallonge homologuée pour utilisation à l'air libre.** L'utilisation d'une rallonge électrique homologuée pour les applications extérieures réduit le risque d'électrocution.
- f. **Si l'usage d'un outil dans un emplacement humide est inévitable, utilisez une alimentation protégée par un dispositif à courant différentiel résiduel (RCD).** L'usage d'un RCD réduit le risque de choc électrique.

3. Sécurité personnelle

- a. **Restez vigilant, surveillez ce que vous faites. Faites preuve de bon sens quand vous utilisez l'outil électroportatif. N'utilisez pas l'outil lorsque vous êtes fatigué ou après avoir consommé de l'alcool, des drogues voire des médicaments.** Un moment d'inattention lors de l'utilisation de l'outil peut entraîner de graves blessures.
- b. **Utilisez un équipement de protection personnelle. Portez toujours une protection pour les yeux.** Les équipements de protection personnelle tels que les masques anti-poussières, chaussures de sécurité antidérapantes, casques ou protections acoustiques utilisés dans des conditions appropriées réduisent les blessures.
- c. **Évitez toute mise en marche involontaire. Vérifiez que l'interrupteur est en position arrêt avant de brancher l'outil au secteur ou au bloc de batteries, de le prendre ou de le porter.** Transporter les outils en avec le doigt sur l'interrupteur ou les brancher avec l'interrupteur en position de marche est une source d'accidents.
- d. **Enlevez tout outil ou clé de réglage avant de mettre l'outil en marche.** Une clé ou un outil se trouvant sur une partie en rotation peut causer des blessures.
- e. **Adoptez une position confortable. Adoptez une position stable et gardez votre équilibre à tout moment.** Vous contrôlerez mieux l'outil dans des situations inattendues.
- f. **Portez des vêtements appropriés. Ne portez pas de vêtements flottants ou de bijoux. N'approchez pas les cheveux, vêtements ou gants des parties des pièces mobiles.** Les vêtements amples, les bijoux ou les cheveux longs peuvent être attrapés dans les pièces en mouvement.
- g. **Si des dispositifs servant à aspirer ou à recueillir les poussières doivent être utilisés, vérifiez qu'ils sont correctement raccordés et utilisés.** Le fait d'aspirer la poussière permet de réduire les risques inhérents à la poussière.

4. Utilisation des outils électroportatifs et précautions

- a. **Ne surchargez pas l'outil. Utilisez l'outil électroportatif approprié pour le travail à effectuer.** Avec l'outil électroportatif approprié, vous travaillerez mieux et avec plus de sécurité à la vitesse pour laquelle il a été conçu.
- b. **N'utilisez pas un outil électroportatif dont l'interrupteur est défectueux.** Un outil électroportatif qui ne peut plus être mis en ou hors fonctionnement est dangereux et doit être réparé.
- c. **Déconnectez la prise de la source d'alimentation ou le pack-batterie de l'outil électrique avant tout réglage, changement d'accessoire voire rangement des outils électriques.** Cette mesure de précaution empêche une mise en marche par mégarde.
- d. **Rangez les outils électroportatifs hors de portée des enfants. Ne laissez pas les personnes n'étant pas familiarisées avec l'outil ou n'ayant pas lu ces instructions l'utiliser.** Les outils électroportatifs sont dangereux lorsqu'ils sont utilisés par des personnes non initiées.
- e. **Prenez soin des outils électroportatifs. Vérifiez que les parties en mouvement fonctionnent correctement et qu'elles ne sont pas coincées ; vérifiez qu'il n'y a pas de pièces cassées ou endommagées susceptibles de nuire au bon fonctionnement de l'outil. S'il est endommagé, faites réparer l'outil avant de l'utiliser.** De nombreux accidents sont dus à des outils électroportatifs mal entretenus.
- f. **Maintenez les outils de coupe aiguisés et propres.** Des outils soigneusement entretenus avec des bords tranchants bien aiguisés se coincent moins souvent et peuvent être guidés plus facilement.
- g. **Utilisez l'outil électrique, les accessoires et forets, etc. conformément à ces instructions, en tenant compte des conditions de travail et des tâches à effectuer.** L'utilisation des outils électroportatifs à d'autres fins que celles prévues peut entraîner des situations dangereuses.

5. Réparations

- a. **Faites réparer votre outil électroportatif uniquement par du personnel qualifié et seulement avec des pièces de rechange d'origine.** Cela garantira le maintien de la sécurité de votre outil.

Avertissements de sécurité supplémentaires pour les outils électriques



Attention ! Avertissements de sécurité supplémentaires pour les fraiseuses

- ◆ **Tenez l'outil uniquement par les surfaces isolées des poignées. En effet, le foret de la fraiseuse peut entrer en contact avec son propre cordon électrique. Couper**

un câble sous tension met les parties métalliques de l'outil sous tension et peut provoquer une électrocution de l'utilisateur.

- ◆ **Utilisez des fixations ou tout autre moyen pratique pour fixer et soutenir la pièce à ouvrir sur une plateforme stable.** Si vous tenez la pièce à la main ou contre votre corps, elle est instable et vous pouvez en perdre le contrôle.

Attention ! L'inhalation ou le contact avec des poussières de fraissage peut mettre en péril la santé de l'utilisateur et des personnes à proximité. Portez un masque contre la poussière spécialement conçu pour vous protéger des sciures et des fumées toxiques et veillez à ce que les personnes se trouvant à l'intérieur de la zone de travail ou y pénétrant soient également protégées.

- ◆ Enlevez soigneusement toute poussière après le fraissage.
- ◆ N'utilisez que des fraises ayant un diamètre de queue égal à la taille de la pince installée sur l'outil.
- ◆ N'utilisez que des fraises adaptées à la vitesse à vide de l'outil.
- ◆ N'utilisez jamais de fraises dont le diamètre soit supérieur au diamètre maximum indiqué au chapitre des renseignements techniques.
- ◆ N'utilisez pas cet outil en position inversée.
- ◆ Ne tentez pas d'utiliser l'outil en position fixe.
- ◆ Si le câble d'alimentation est endommagé, il doit être remplacé par le fabricant ou par un centre de réparation agréé Black & Decker afin d'éviter tout accident.
- ◆ Faites spécialement attention lorsque vous fraisez de la peinture pouvant être à base de plomb ou lorsque vous fraisez des bois pouvant produire de la poussière toxique :
 - Ne laissez pas les enfants ou les femmes enceintes entrer dans la zone de travail.
 - Ne mangez pas, ne buvez pas et ne fumez pas dans la zone de travail.
 - Nettoyez l'outil de toutes particules de poussière et autre débris.
- ◆ Cet outil n'est pas destiné à être utilisé par des personnes (notamment des enfants) présentant des capacités physiques, sensorielles ou mentales limitées voire dépourvues de connaissance et d'expérience, sauf si elles sont supervisées ou ont reçu des instructions pour l'usage de l'appareil par une personne responsable de leur sécurité. Les enfants ne doivent pas jouer avec l'appareil.
- ◆ Le domaine d'utilisation de l'outil est décrit dans le présent manuel. L'utilisation d'accessoires ou la réalisation d'opérations avec cet outil autres que ceux recommandés dans le présent manuel peut entraîner un risque de blessure ou de dégâts.

Sécurité des tiers

- ◆ Cet appareil n'est pas destiné à être utilisé par des personnes (notamment des enfants) présentant des capacités

physiques, sensorielles ou mentales limitées voire dépourvues de connaissance et d'expérience, sauf si elles sont supervisées ou ont reçu des instructions pour l'usage de l'appareil par une personne responsable de leur sécurité.

- ◆ Les enfants ne doivent pas jouer avec l'appareil.

Risques résiduels.

L'utilisation d'un outil non mentionné dans les consignes de sécurité données peut entraîner des risques résiduels supplémentaires. Ces risques peuvent survenir si l'outil est mal utilisé, si l'utilisation est prolongée, etc.

Malgré l'application des normes de sécurité correspondantes et la présence de dispositifs de sécurité, les risques résiduels suivants ne peuvent être évités. Ceci comprend :

- ◆ **Les blessures dues au contact avec une pièce mobile/ en rotation.**
- ◆ **Les blessures causées en changeant des pièces, lames ou accessoires.**
- ◆ **Les blessures dues à l'utilisation prolongée d'un outil. Une utilisation prolongée de l'outil nécessite des pauses régulières.**
- ◆ **Déficience auditive.**
- ◆ **Risques pour la santé causés par l'inhalation de poussières produites pendant l'utilisation de l'outil (exemple : travail avec du bois, surtout le chêne, le hêtre et les panneaux en MDF).**

Vibration

Les valeurs des émissions de vibrations mentionnées dans les données techniques et la déclaration de conformité ont été mesurées conformément à la méthode de test normalisée indiquée par EN 60745 et permettent les comparaisons entre outils. Les valeurs des émissions de vibrations peuvent également servir à une évaluation préliminaire de l'exposition.

Attention ! Les valeurs des émissions de vibrations en utilisant réellement l'outil peuvent différer des valeurs déclarées en fonction du mode d'usage de l'outil. Le niveau de vibration peut dépasser le niveau indiqué.

Pour évaluer l'exposition aux vibrations afin de déterminer les mesures de sécurité imposées par 2002/44/CE pour protéger les personnes utilisant régulièrement des outils électriques, une estimation de l'exposition aux vibrations devrait prendre en compte les conditions réelles et le mode d'utilisation de l'outil, notamment l'ensemble du cycle de fonctionnement ainsi l'arrêt de l'outil et son fonctionnement au ralenti, outre le démarrage.

Étiquettes apposées sur l'outil

Les pictogrammes suivants sont présents sur l'outil :



Attention ! Afin de réduire les risques de blessures, l'utilisateur doit lire le manuel d'instructions.

Sécurité électrique



L'outil est doublement isolé ; par conséquent, aucun câble de masse n'est nécessaire. Vérifiez si le voltage mentionné sur la plaque signalétique de la machine correspond bien à la tension de secteur présente sur lieu.

- ◆ Si le câble d'alimentation est endommagé, il doit être remplacé par le fabricant ou par un centre de réparation agréé Black & Decker afin d'éviter tout accident.

Caractéristiques

1. Interrupteur marche/arrêt
2. Bouton de blocage
3. Bouton de contrôle de vitesse variable
4. Levier de blocage en plongée
5. Bouton de blocage de l'axe
6. Pince de serrage
7. Butée de profondeur revolver
8. Défecteur de sciures
9. Barre de butée de profondeur
10. Profondeur d'échelle de coupe
11. Adaptateur d'extraction de poussière

Assemblage

Attention ! Avant l'assemblage, assurez-vous que l'outil est éteint et débranché.

Mise en place d'une fraise (fig. A)

- ◆ Retirez le défecteur de sciures (8).
- ◆ Tout en maintenant le bouton de blocage de l'axe enfoncé (5), faites tourner l'arbre jusqu'à ce que le bouton s'engage complètement.
- ◆ Dévissez l'écrou de la pince (12) à l'aide de la clé fournie.
- ◆ Insérez la queue de la fraise (13) dans la pince (6). Vérifiez que la queue dépasse d'au moins 3 mm de la pince, comme l'illustre la figure.
- ◆ Tout en maintenant le bouton de blocage de l'axe enfoncé (5), serrez l'écrou de la pince (12) avec la clé fournie.

Mise en place du sabot de guidage (fig. B)

Le sabot de guidage vous aidera à guider l'outil pour qu'il travaille parallèlement à un bord.

- ◆ Placez les barres (14) sur le sabot de guidage (15) avec les deux vis (16) fournies.
- ◆ Insérez les barres (14) dans la base, comme sur l'illustration.

- ◆ Réglez le sabot de guidage à la distance voulue.
- ◆ Serrez les vis de fixation (17).

Mise en place de l'adaptateur d'extraction de poussière (fig. C)

L'adaptateur d'extraction de poussière vous permet de brancher un aspirateur sur l'outil.

- ◆ Branchez le tuyau (18) de l'aspirateur à l'adaptateur (11).

Mise en place du guide de gabarit (fig. D)

- ◆ Installez le guide de gabarit (19) sur la semelle de fraisage, en prenant soin de placer la bride vers le bas (pièce à ouvrir).
- ◆ Insérez les deux vis longues (20) du bas dans les trous placés dans le guide de gabarit et dans les trous de la base.
- ◆ Placez un écrou sur chacune de ces vis et serrez bien.

Mise en place de la pièce intercalaire (fig. E)

- ◆ Placez la pièce intercalaire (21) sur la base à l'aide des vis fournies.

Mise en place de la goupille de centrage (fig. F)

- ◆ Placez le sabot de guidage sur la fraiseuse comme illustré dans la fig. B, mais à l'envers.
- ◆ Placez la goupille de centrage (22) sur le côté pièce à ouvrir du sabot de guidage à l'aide de la vis (23) fournie.

Mise en place du suiveur de copie (fig. G)

- ◆ Placez le sabot de guidage sur la fraiseuse comme illustré en fig. B.
- ◆ Placez la barre en 'L' (24) sur le côté supérieur du sabot de guidage à l'aide des deux vis et des écrous fournis.
- ◆ Réglez l'accessoire rotatif (25) sur la barre en 'L' à l'aide de la vis papillon (26).

Utilisation

Attention ! Laissez l'outil fonctionner à sa propre vitesse.

Ne le surchargez pas.

- ◆ Guidez le câble avec soin pour ne pas le couper par mégarde.

Réglage de la profondeur de coupe (fig. H, I & J)

La profondeur de coupe est égale à la distance X entre la barre de butée de profondeur (9) et la butée de profondeur (27). La profondeur de coupe est réglable de deux manières, qui sont décrites ci-dessous.

Réglage de la profondeur de coupe à l'aide de l'échelle (fig. I).

- ◆ Installez la fraise comme indiqué ci-dessus.
- ◆ Desserrez la vis de blocage (28).

- ◆ Tirez sur le levier de blocage de plongée (4).
- ◆ Rabaissez la fraiseuse jusqu'à ce que la fraise entre en contact avec la pièce à travailler.
- ◆ Poussez sur le levier de blocage de plongée (4).
- ◆ Déplacez le pointeur (29) à la position zéro sur l'échelle (10).
- ◆ Ajoutez-y la profondeur de coupe voulue.
- ◆ Déplacez la barre de butée de profondeur (9) sur la position de l'échelle qui correspond à votre calcul.
- ◆ Serrez la vis de blocage (28).
- ◆ Un réglage fin est possible avec le bouton de réglage (30).
- ◆ Tirez sur le levier de blocage de plongée (4) et laissez la fraiseuse revenir sur sa position initiale.
- ◆ Allumez la fraiseuse, abaissez-la et faites la coupe voulue.

Réglage de la profondeur de coupe à l'aide d'un morceau de bois (fig. J)

- ◆ Insérez la fraise et abaissez la fraiseuse comme décrit précédemment.
- ◆ Tirez sur la barre de butée de profondeur (9).
- ◆ Placez un morceau de bois d'une épaisseur égale à la profondeur de coupe voulue entre la butée de profondeur (27) et la barre de butée de profondeur (9).
- ◆ Serrez la vis de blocage (28).
- ◆ Un réglage fin est possible avec le bouton de réglage (30).
- ◆ Retirez le morceau de bois.
- ◆ Tirez sur le levier de blocage de plongée (4) et laissez la fraiseuse revenir sur sa position initiale.
- ◆ Allumez la fraiseuse, abaissez-la et faites la coupe voulue.

Réglage de la butée de profondeur revolver (fig. K)

Après avoir tourné la butée de profondeur revolver sur le réglage voulu, vous pouvez faire un réglage précis de la butée de profondeur à utiliser. Si vous souhaitez effectuer plusieurs coupes de différentes profondeurs, réglez chacune des butées de profondeur.

- ◆ Tournez la vis de butée de profondeur (31) dans un sens ou dans l'autre, selon les besoins, à l'aide d'un tournevis.

Réglage de la vitesse

- ◆ Ajustez la vitesse souhaitée à l'aide du bouton de commande (3). Choisissez une vitesse élevée pour les fraises de petit diamètre. Choisissez une vitesse faible pour les fraises de grand diamètre.

Utilisation d'une latte de guidage (fig. L)

Lorsqu'il n'est pas possible d'utiliser le sabot de guidage, comme par exemple quand vous taillez des rainures sur le panneau arrière d'un meuble à étagères, procédez comme suit :

- ◆ Sélectionnez une pièce de bois avec un bord droit pour servir de latte de guidage.
- ◆ Placez la latte sur la pièce à ouvrir.

- ◆ Placez-la sur la position qui convient pour guider l'outil.
- ◆ Attachez solidement la latte sur la pièce à travailler.

Utilisation du guide de gabarit (fig. D)

Le guide de gabarit peut servir à découper une forme dans un gabarit, une lettre par exemple.

- ◆ Fixez le gabarit sur la pièce à ouvrir à l'aide d'adhésif double face ou avec des pinces en 'G'.
- ◆ La fraise doit passer sous la bride du guide de gabarit pour découper dans la pièce la forme du gabarit.

Utilisation de la pièce intercalaire (fig. E)

La pièce intercalaire peut servir à tailler des projections verticales dans du bois ou du contreplaqué.

Utilisation de la goupille de centrage (fig. F)

La goupille de centrage peut servir à découper des formes circulaires.

- ◆ Percez un trou pour repérer la place de la goupille de centrage au centre du cercle à découper.
- ◆ Placez la fraiseuse sur la pièce en prenant soin de placer le point de la goupille de centrage dans le trou percé au préalable.
- ◆ Réglez le rayon du cercle à l'aide des barre du sabot de guidage.
- ◆ Vous pouvez maintenant déplacer la fraiseuse sur la pièce pour découper un cercle.

Utilisation du suiveur de copie (fig. G)

Le suiveur de copie vous permet de préserver une distance de découpe égale le long du bord sur des pièces de formes irrégulières.

- ◆ Placez la fraiseuse sur la pièce à la distance souhaitée par rapport au bord à copier.
- ◆ Réglez les barres du sabot de guidage jusqu'à ce que la roulette soit bien en contact avec la pièce.

Démarrage et arrêt

Démarrage

- ◆ Enfoncez le bouton de blocage (2) et appuyez sur l'interrupteur de mise en marche (1).
- ◆ Relâchez le bouton de blocage.

Arrêt

- ◆ Relâchez l'interrupteur de mise en marche.

Attention ! Tenez toujours l'outil avec les deux mains.

Conseils pour une utilisation optimale

- ◆ Lorsque vous travaillez sur des bords externes, déplacez l'outil dans le sens contraire des aiguilles d'une montre (fig. M). Lorsque vous travaillez sur des bords internes, déplacez-le dans le sens des aiguilles d'une montre.

- ◆ Utilisez des fraises HSS pour le bois mou.
- ◆ Utilisez des fraises TCT pour le bois dur.
- ◆ Vous pouvez utiliser l'outil sans guidage (fig. N). Ceci vous permet d'effectuer des travaux d'écriture et des motifs. Ne faites que des coupes peu profondes.
- ◆ Reportez-vous au tableau ci-dessous pour consulter les modèles habituels de fraises.

Fraises (fig. O)

Description	Application
Fraise droite (1)	Rainures et encoches
Fraise à ébarbage (2)	Ebarbage des panneaux stratifiés ou du bois dur ; profilage précis avec un gabarit
Fraise à encoches (3)	Encoches sur des pièces de bois droites ou cintrées
Fraise à rainure en V (4)	Rainures, gravure et biseautage des bords
Fraise pour boîte à carotte (5)	Cannelure, gravure et moulurage de bords décoratifs
Fraise à gorge (6)	Moulurage de bords décoratifs
Fraise pour moulures en doucine (7)	Moulurage de bords décoratifs
Fraise à arrondi (9)	Arrondissement des bords
Fraise pour queue d'aronde (10)	Assemblages à queue d'aronde
Fraise à chanfrein (11)	Bords en biseau

Entretien

Votre outil a été conçu pour fonctionner pendant longtemps avec un minimum d'entretien. Un fonctionnement continu satisfaisant dépend d'un nettoyage régulier et d'un entretien approprié de l'outil.

Attention ! Avant d'effectuer tout entretien, éteignez et débranchez l'outil.

- ◆ Nettoyez régulièrement les orifices de ventilation de votre outil à l'aide d'une brosse douce ou d'un chiffon sec.
- ◆ Nettoyez régulièrement le compartiment du moteur à l'aide d'un chiffon humide. N'utilisez pas de produit abrasif ou à base de solvant.

Protection de l'environnement



Collecte séparée. Ce produit ne doit pas être jeté avec les déchets domestiques normaux.

Si vous décidez de remplacer ce produit Black & Decker, ou si vous n'en avez plus l'utilité, ne le jetez pas avec vos déchets domestiques. Rendez-le disponible pour une collecte séparée.



La collecte séparée des produits et emballages usés permet le recyclage des articles afin de les utiliser à nouveau. Le fait d'utiliser à nouveau des produits recyclés permet d'éviter la pollution environnementale et de réduire la demande de matières premières.

Déclaration de conformité CE

DIRECTIVE MACHINES



KW900E

Les réglementations locales peuvent permettre la collecte séparée des produits électriques du foyer, dans des déchetteries municipales ou auprès du revendeur vous ayant vendu votre nouveau produit.

Black & Decker fournit un dispositif permettant de collecter et de recycler les produits Black & Decker lorsqu'ils ont atteint la fin de leur cycle de vie. Pour pouvoir profiter de ce service, veuillez retourner votre produit à un réparateur agréé qui se chargera de le collecter pour nous.

Pour connaître l'adresse du réparateur agréé le plus proche de chez vous, contactez le bureau Black & Decker à l'adresse indiquée dans ce manuel. Vous pourrez aussi trouver une liste des réparateurs agréés de Black & Decker et de plus amples détails sur notre service après-vente sur le site Internet à l'adresse suivante : www.2helpU.com

Black & Decker déclare que ces produits décrits sous les "caractéristiques techniques" sont conformes avec :
2006/42/CE, EN 60745-1, EN 60745-2-11

Pour en savoir plus, veuillez contacter Black & Decker à l'adresse suivante ou consultez le dos du manuel.

Le soussigné est responsable de la compilation du fichier technique et effectue cette déclaration au nom de Black & Decker.

Kevin Hewitt

Vice-président Ingénierie globale
Black & Decker Europe, 210 Bath Road, Slough,
Berkshire, SL1 3YD
Royaume Uni
31/03/2010

Caractéristiques techniques

		KW900E Type 1
Tension	V_{AC}	230
Puissance absorbée	W	1.200
Vitesse à vide	min^{-1}	8.000 - 27.000
Pince de serrage (prise)		5/16" (8 mm) / 1/4" (6,35 mm) / 6 mm
Diamètre max. de la fraise	mm	30
Profondeur de coupe max.	mm	55
Poids	kg	3,6

Niveau de pression acoustique selon EN 60745 :

Pression acoustique ($L_{p(A)}$) 95 dB(A), incertitude (K) 3 dB(A)

Puissance acoustique ($L_{w(A)}$) 106 dB(A), incertitude (K) 3 dB(A)

Valeurs totales de vibration (somme vectorielle triax) selon

EN 60745 :

Valeur d'émissions de vibrations (a_h) 5,77 m/s^2 ,

incertitude (K) 1,5 m/s^2

Garantie

Black & Decker est confiant dans la qualité de ses produits et vous offre une garantie très étendue. Ce certificat de garantie est un document supplémentaire et ne peut en aucun cas se substituer à vos droits légaux. La garantie est valable sur tout le territoire des Etats Membres de l'Union Européenne et de la Zone de Libre Echange Européenne.

Si un produit Black & Decker s'avère défectueux en raison de matériaux en mauvaises conditions, d'une erreur humaine, ou d'un manque de conformité dans les 24 mois suivant la date d'achat, Black & Decker garantit le remplacement des pièces défectueuses, la réparation des produits usés ou cassés ou remplace ces produits à la convenance du client, sauf dans les circonstances suivantes :

- ◆ Le produit a été utilisé dans un but commercial, professionnel, ou a été loué.
- ◆ Le produit a été mal utilisé ou avec négligence.
- ◆ Le produit a subi des dommages à cause d'objets étrangers, de substances ou à cause d'accidents.
- ◆ Des réparations ont été tentées par des techniciens ne faisant pas partie du service technique de Black & Decker.

Pour avoir recours à la garantie, il est nécessaire de fournir une preuve d'achat au vendeur ou à un réparateur agréé.

Pour connaître l'adresse du réparateur agréé le plus proche de chez vous, contactez le bureau Black & Decker à l'adresse indiquée dans ce manuel. Vous pourrez aussi trouver une liste des réparateurs agréés de Black & Decker et de plus amples détails sur notre service après-vente sur le site Internet à l'adresse suivante : **www.2helpU.com**

Visitez notre site Web **www.blackanddecker.fr** pour enregistrer votre nouveau produit Black & Decker et être informé des nouveaux produits et des offres spéciales. Pour plus d'informations concernant la marque Black & Decker et notre gamme de produits, consultez notre site **www.blackanddecker.fr**

Uso previsto

La fresatrice Black & Decker è stata progettata per fresare il legno e i prodotti del legno. L'utensile è stato progettato per un uso individuale.

Precauzioni di sicurezza

Avvisi generali di sicurezza per l'elettrotensile



Attenzione! Leggere tutti gli avvisi e le istruzioni di sicurezza. La mancata osservanza dei seguenti avvisi e istruzioni potrebbe causare scosse elettriche, incendi e/o infortuni gravi.

Conservare tutte gli avvisi e le istruzioni per consultazioni future. Il termine "elettrotensile" che ricorre in tutte le seguenti avvertenze si riferisce ad utensili elettrici con o senza filo.

1. Sicurezza dell'area di lavoro

- Mantenere pulita e bene illuminata l'area di lavoro.** Il disordine o la scarsa illuminazione possono causare incidenti.
- Evitare d'impiegare gli elettrotensili in ambienti esposti al rischio di esplosione, ad esempio in presenza di liquidi, gas o polveri infiammabili.** Gli elettrotensili producono scintille che possono far infiammare la polvere o i fumi.
- Mantenere lontani bambini ed astanti mentre si usa l'elettrotensile.** Eventuali distrazioni possono comportare la perdita del controllo dell'elettrotensile.

2. Sicurezza elettrica

- La spina elettrica deve essere adatta alla presa. Evitare assolutamente di alterare la spina.** Non impiegare spine adattatrici con elettrotensili provvisti di messa a terra. L'uso di spine inalterate e corrispondenti alle prese della rete domestica riduce il rischio di scosse elettriche.
- Evitare il contatto fisico con superfici collegate a terra, come tubi, radiatori, forni e frigoriferi.** Un corpo collegato a terra è esposto maggiormente al rischio di scosse elettriche.
- Custodire gli elettrotensili al riparo dalla pioggia o dall'umidità.** L'eventuale infiltrazione di acqua in un elettrotensile aumenta il rischio di scosse elettriche.
- Non esporre il cavo a sollecitazioni. Non usare il cavo per trasportare o trainare l'elettrotensile e non tirarlo per estrarre la spina dalla presa di corrente.** Mantenere il cavo a distanza da fonti di calore, olio, bordi taglienti e/o parti in movimento. I cavi elettrici danneggiati o aggrovigliati aumentano il rischio di scosse elettriche.
- Se l'elettrotensile viene adoperato all'aperto, usare esclusivamente prolunghie omologate per l'impiego**

all'esterno. Un cavo adatto per impieghi all'esterno riduce il rischio di scosse elettriche.

- Se l'uso di un elettrotensile in un ambiente umido è inevitabile, utilizzare una fonte di alimentazione dotata di un dispositivo di protezione da correnti residue (RCD).** L'uso di un RCD riduce il rischio di scosse elettriche.

3. Sicurezza delle persone

- È importante concentrarsi su ciò che si sta facendo e maneggiare con giudizio l'elettrotensile. Non adoperare l'elettrotensile se si è stanchi o sotto l'effetto di stupefacenti, alcol o medicinali.** Un attimo di distrazione durante l'uso dell'elettrotensile può causare gravi infortuni personali.
 - Indossare un equipaggiamento protettivo. Utilizzare sempre occhiali protettivi di sicurezza.** Indossando un equipaggiamento protettivo, ad esempio: maschera antipolvere, calzature di sicurezza con suola antiscivolo, casco e protezioni per l'udito, in condizioni adeguate, si riduce il rischio di lesioni personali.
 - Evitare l'accensione involontaria dell'elettrotensile. Verificare che l'interruttore di accensione sia posizionato su off prima di collegare il cavo di alimentazione o la batteria, di sollevare o trasportare l'elettrotensile.** Trasportare gli elettrotensili con il dito sull'interruttore di accensione o collegare all'alimentazione elettrotensili con l'interruttore posizionato su on, favorisce il verificarsi di incidenti.
 - Prima di accendere un elettrotensile, togliere eventuali chiavi o attrezzi di regolazione.** Un attrezzo o una chiave lasciati in un componente mobile dell'elettrotensile possono causare lesioni.
 - Non sporgersi. Mantenere sempre un buon equilibrio evitando posizioni malsicure.** In questo modo è possibile controllare meglio l'elettrotensile in situazioni inaspettate.
 - Vestirsi adeguatamente. Evitare di indossare indumenti larghi o gioielli. Tenere capelli, vestiti e guanti lontani dalle parti in movimento.** Vestiti larghi, gioielli o capelli lunghi possono impigliarsi nei componenti in movimento.
 - Se gli elettrotensili sono provvisti di attacchi per la connessione di dispositivi di aspirazione o raccolta della polvere, assicurarsi che questi siano installati e utilizzati correttamente.** L'uso di un dispositivo di aspirazione può ridurre i rischi correlati alle polveri.
- #### 4. Uso e cura degli elettrotensili
- Non sovraccaricare l'elettrotensile. Usare un elettrotensile idoneo al lavoro da eseguire.** Un elettrotensile appropriato permetterà una migliore e più sicura lavorazione alla potenza nominale prevista.
 - Non utilizzare elettrotensili con interruttori difettosi.** Un elettrotensile che non può essere controllato

mediante l'interruttore è pericoloso e deve essere riparato.

- c. **Scollegare la spina dalla presa e/o estrarre la batteria dall'elettrotensile prima di eseguire regolazioni, di sostituire degli accessori o di riporre l'elettrotensile.** Queste precauzioni riducono le possibilità che l'elettrotensile venga messo in funzione accidentalmente.
- d. **Quando non vengono usati, gli elettrotensili devono essere custoditi fuori della portata dei bambini. Non consentire l'uso dell'elettrotensile a persone inesperte o che non abbiano letto le presenti istruzioni.** Gli elettrotensili risultano pericolosi se usati da persone inesperte.
- e. **Sottoporre gli elettrotensili alle procedure di manutenzione del caso. Verificare che le parti mobili siano bene allineate e non inceppate, che non vi siano componenti rotti e che non sussistano altre condizioni che possano compromettere il funzionamento dell'elettrotensile. In caso di danni, riparare l'elettrotensile prima dell'uso.** La scarsa manutenzione causa molti incidenti.
- f. **Mantenere affilati e puliti gli utensili da taglio.** Se sottoposti alla corretta manutenzione, gli utensili da taglio con taglienti affilati s'inceppano meno frequentemente e sono più facili da manovrare.
- g. **Utilizzare l'elettrotensile, gli accessori, le punte ecc. in conformità alle presenti istruzioni, tenendo conto delle condizioni lavorative e del tipo di lavoro da eseguire.** L'impiego degli elettrotensili per usi diversi da quelli previsti può dar luogo a situazioni di pericolo.

5. Riparazioni

- a. **Fare riparare l'elettrotensile solo ed esclusivamente da personale specializzato e solo impiegando pezzi di ricambio originali.** Ciò permetterà di conservare le condizioni di sicurezza dell'elettrotensile.

Ulteriori avvisi di sicurezza per l'elettrotensile



Attenzione! Ulteriori avvisi di sicurezza per fresatrici

- ◆ **Afferrare l'elettrotensile tramite le apposite impugnature isolanti, poiché la punta della fresatrice può entrare in contatto con il cavo di alimentazione.** Tagliare una "linea sotto tensione", può sottoporre a tensione le parti metalliche dell'elettrotensile e provocare una scossa elettrica.
- ◆ **Utilizzare morsetti o un altro metodo sicuro per fissare e supportare il pezzo in lavorazione su una piattaforma stabile.** Se il pezzo in lavorazione è sostenuto a mano o appoggiato al proprio corpo, rimane in posizione instabile e si possono verificare perdite di controllo.

Attenzione! Il contatto o l'inalazione di polveri generate dalle operazioni di fresatura può creare rischi per la salute dell'operatore e degli eventuali astanti. Indossare una mascherina antipolvere specifica per polveri e fumi e controllare che anche le persone presenti o in arrivo nell'area di lavoro siano adeguatamente protette.

- ◆ Dopo la fresatura, rimuovere tutta la polvere.
- ◆ Utilizzare unicamente frese con codolo di diametro uguale alla grandezza della bussola installata sull'elettrotensile.
- ◆ Utilizzare frese adatte alla velocità dell'elettrotensile a vuoto.
- ◆ Non adoperare mai frese il cui diametro superi il valore massimo specificato nel capitolo sui dati tecnici.
- ◆ Non usare l'elettrotensile capovolto.
- ◆ Non tentare di usare l'elettrotensile in modalità fissa.
- ◆ Se il cavo elettrico in dotazione risulta danneggiato, deve essere sostituito dal produttore o da un Centro di assistenza autorizzato Black & Decker, onde evitare rischi.
- ◆ Porre particolare attenzione durante la fresatura di parti verniciate con vernici a base di piombo o di alcuni tipi di legno che possono produrre polvere tossica:
 - Non consentire a bambini o donne in gravidanza di entrare nell'area di lavoro.
 - Non mangiare, bere o fumare nell'area di lavoro.
 - Smaltire la polvere e i rifiuti prendendo le necessarie misure di sicurezza.
- ◆ Questo elettrotensile non è destinato ad essere utilizzato da persone (bambini inclusi) con ridotte capacità fisiche, sensoriali o mentali, senza esperienza o non in possesso delle dovute conoscenze, senza la supervisione o l'addestramento sull'uso dell'elettrotensile da parte di una persona responsabile per la loro sicurezza. Controllare i bambini per evitare che giochino con l'elettrotensile.
- ◆ L'utilizzo previsto è quello indicato nel presente manuale. L'utilizzo di qualsiasi accessorio o attrezzatura o l'uso del presente elettrotensile per scopi diversi da quelli consigliati nel presente manuale d'istruzioni potrebbero comportare il rischio di infortuni e/o danni alle proprietà.

Sicurezza altrui

- ◆ Questo elettrotensile non è destinato ad essere utilizzato da persone (bambini inclusi) con ridotte capacità fisiche, sensoriali o mentali, senza esperienza o non in possesso delle dovute conoscenze, senza la supervisione o l'addestramento da parte di una persona responsabile per la loro sicurezza.
- ◆ Controllare i bambini per evitare che giochino con l'elettrotensile.

Rischi residui.

Altri rischi residui che possono sorgere durante l'impiego dell'elettrotensile e che possono non essere stati contemplati dagli allegati avvisi di sicurezza. Tali rischi possono sorgere a seguito di un uso prolungato o improprio, ecc.

Perfino adottando gli appositi regolamenti di sicurezza e utilizzando i dispositivi di sicurezza, certi rischi residui non possono essere evitati. Essi comprendono:

- ◆ **Lesioni causate o subite a seguito del contatto con parti rotanti/in movimento.**
- ◆ **Lesioni causate o subite durante la sostituzione di parti, lame o accessori.**
- ◆ **Lesioni causate dall'impiego prolungato di un elettroutensile. Quando si usa qualsiasi elettroutensile per lunghi periodi, accertarsi di fare regolarmente delle pause.**
- ◆ **Problemi di udito.**
- ◆ **Rischi per la salute causati dall'aspirazione di polvere generata dall'utilizzo dell'elettroutensile (ad esempio quando si lavora con il legno, in modo particolare quello di quercia, faggio o l'MDF).**

Vibrazioni

I valori delle vibrazioni dichiarati nei dati tecnici e nella dichiarazione di conformità sono stati misurati in conformità ai metodi di test standard descritti in: EN 60745 e possono essere utilizzati per comparare due elettroutensili. I valori di emissioni dichiarati possono essere usati anche per una valutazione preliminare dell'esposizione.

Attenzione! Il valore delle vibrazioni durante l'uso dell'elettroutensile può differire dai valori dichiarati a seconda del modo in cui viene usato l'elettroutensile. Il livello di vibrazioni può aumentare rispetto al livello nominale.

Quando si valuta l'esposizione alle vibrazioni e si stabiliscono le misure di sicurezza richieste dalla direttiva 2002/44/CE per proteggere il personale che utilizza regolarmente gli elettroutensili nello svolgimento delle proprie funzioni, considerare una stima dell'esposizione alle vibrazioni, le effettive condizioni d'uso e il modo in cui l'elettroutensile viene usato, analizzando tutte le parti del ciclo operativo, ovvero i periodi in cui l'elettroutensile è spento o gira a vuoto, oltre al tempo in cui è in uso.

Etichette sull'elettroutensile

Sull'elettroutensile sono presenti le seguenti immagini:



Attenzione! Per ridurre il rischio di lesioni, l'utente è tenuto a leggere il presente manuale di istruzioni.

Sicurezza elettrica



Il doppio isolamento di cui è provvisto l'elettroutensile rende superfluo il filo di terra. Controllare sempre che l'alimentazione corrisponda alla tensione indicata sulla targhetta delle caratteristiche.

- ◆ Se il cavo elettrico in dotazione risulta danneggiato, deve essere sostituito dal produttore o da un Centro di assistenza autorizzato Black & Decker, onde evitare rischi.

Funzioni

1. Interruttore acceso/spento
2. Pulsante di sblocco
3. Manopola di regolazione velocità
4. Leva di blocco profondità
5. Pulsante bloccaggio alberino
6. Bussola
7. Arresto di profondità del supporto orientabile
8. Deflettore per trucioli
9. Barra dell'arresto di profondità
10. Scala di profondità del taglio
11. Adattatore per aspirapolvere

Montaggio

Attenzione! Prima di montarlo assicuratevi che l'utensile sia spento e desinserito.

Inserimento di una punta per fresare (fig. A)

- ◆ Rimuovere il deflettore per trucioli (8).
- ◆ Mantenere premuto il pulsante di blocco dell'alberino (5) e ruotare l'alberino fino ad impegnare perfettamente il fermo.
- ◆ Allentare il dado a colletto (12) utilizzando la chiave in dotazione.
- ◆ Inserire il codolo della fresa (13) nella boccia (6). Verificare che il codolo sporga di almeno 3 mm dalla boccia, come illustrato.
- ◆ Mantenere premuto il pulsante di blocco dell'alberino (5) e serrare il dado a colletto (12) mediante la chiave in dotazione.

Montaggio della guida per i bordi (fig. B)

La guida per i bordi aiuta a dirigere l'elettroutensile parallelamente ad un bordo.

- ◆ Montare le barre (14) sulla guida per bordi (15) utilizzando le due viti (16) in dotazione.
- ◆ Inserire le barre (14) nella base della fresatrice, come mostrato.
- ◆ Collocare la guida dei bordi alla distanza richiesta.
- ◆ Serrare le viti di fissaggio (17).

Montaggio dell'adattatore per l'aspirazione della polvere (fig. C)

L'adattatore per l'aspirazione della polvere consente di collegare un aspirapolvere all'elettroutensile.

- ◆ Connettere il flessibile (18) dell'aspirapolvere all'adattatore (11).

Montaggio della guida per sagome (fig. D)

- ◆ Installare la guida per sagome (19) sulla base della fresatrice, con la flangia rivolta in basso (pezzo da lavorare).

- ◆ Inserire le due viti lunghe (20) dal lato inferiore attraverso la guida per sagome ed i fori nella base.
- ◆ Inserire un dado su ognuna delle viti e serrarlo a fondo.

Installazione dello spessore (fig. E)

- ◆ Collocare lo spessore (21) sulla base della fresatrice, utilizzando le viti in dotazione.

Installazione del perno di centraggio (fig. F)

- ◆ Installare sulla fresatrice la guida dei bordi, come illustrato nella fig. B, ma capovolta.
- ◆ Collocare il perno di centraggio (22) sulla guida per i bordi, lato del pezzo da lavorare, e fissare con la vite (23) in dotazione.

Installazione del copiatore (fig. G)

- ◆ Installare sulla fresatrice la guida dei bordi, come illustrato nella fig. B.
- ◆ Collocare la barra a 'L' (24) sul lato superiore della guida, utilizzando le due viti ed i dati in dotazione.
- ◆ Collocare l'accessorio rotante (25) sulla barra a 'L', con la manopola ad alette (26).

Uso

Attenzione! Lasciare che l'utensile lavori al suo ritmo, senza sovraccaricarlo.

- ◆ Dirigere con attenzione il cavo per evitare di tagliarlo involontariamente.

Regolazione della profondità di taglio (fig. H, I & J)

La profondità di taglio è la distanza X tra la barra di arresto della profondità (9) e l'arresto di profondità (27). La profondità del taglio può essere impostata in due modi diversi, come descritto di seguito.

Regolazione della profondità di taglio con la scala (fig. I)

- ◆ Montare la punta per fresare come descritto sopra.
- ◆ Allentare la vite di arresto (28).
- ◆ Tirare verso l'alto la leva di blocco profondità (4).
- ◆ Abbassare la fresatrice finché la punta non tocca il pezzo da lavorare.
- ◆ Spingere in basso la leva di blocco profondità (4).
- ◆ Spostare l'indicatore (29) sulla posizione zero della scala (10).
- ◆ Aggiungere al valore della posizione iniziale la profondità di taglio desiderata.
- ◆ Spostare la barra di arresto della profondità (9) nella posizione calcolata sulla scala.
- ◆ Serrare la vite di arresto (28).
- ◆ Eseguire la regolazione utilizzando il pomello di regolazione (30).
- ◆ Tirare in alto la leva di blocco profondità (4) e lasciar tornare la fresatrice alla posizione originale.

- ◆ Dopo avere acceso la fresatrice, abbassarla e praticare il taglio desiderato.

Regolazione della profondità di taglio con un pezzo di legno (fig. J)

- ◆ Inserire la punta e abbassare la fresatrice come descritto sopra.
- ◆ Tirare in alto la barra di arresto della profondità (9).
- ◆ Procurarsi un pezzo di legno di spessore pari alla profondità di taglio desiderata e collocarlo tra l'arresto di profondità (27) e la barra di arresto della profondità (9).
- ◆ Serrare la vite di arresto (28).
- ◆ Eseguire la regolazione utilizzando il pomello di regolazione (30).
- ◆ Togliere il pezzo di legno.
- ◆ Tirare in alto la leva di blocco profondità (4) e lasciar tornare la fresatrice alla posizione originale.
- ◆ Dopo avere acceso la fresatrice, abbassarla e praticare il taglio desiderato.

Regolazione dell'arresto di profondità a revolver (fig. K)

Girare l'arresto di profondità del supporto orientabile sull'impostazione desiderata e poi regolarne la posizione con precisione. Per eseguire svariati tagli con una profondità di taglio diversa, regolare ognuno degli arresti di profondità.

- ◆ In base alle esigenze, estrarre o inserire la vite di arresto di profondità (31) utilizzando un cacciavite.

Regolazione della velocità

- ◆ Impostare la manopola di regolazione della velocità (3) sulla velocità desiderata. Utilizzare una velocità più alta per le punte di diametro inferiore. Utilizzare una velocità bassa per le punte di diametro maggiore.

Uso di un asse come guida (fig. L)

Nei casi in cui non è possibile adoperare la guida per i bordi, ad esempio per fresare le scanalature sul pannello di sostegno di una libreria per sostenere gli scaffali, procedere come segue:

- ◆ Scegliere un pezzo di legno con il bordo dritto da utilizzare come asse di guida.
- ◆ Mettere l'asse sul pezzo da lavorare.
- ◆ Spostare l'asse finché non raggiunge la posizione corretta per guidare l'elettrotensile.
- ◆ Fermare saldamente l'asse al pezzo da lavorare.

Montaggio della guida per sagome (fig. D)

La guida per sagome può essere utilizzata per ottenere un taglio a partire da una sagoma, ad esempio una lettera.

- ◆ Con del nastro biadesivo o dei morsetti a 'G', fissare la sagoma sopra il pezzo da lavorare.

- ◆ La punta della fresatrice deve estendersi al di sotto della flangia della guida in modo da tagliare il pezzo secondo la sagoma.

Uso dello spessore (fig. E)

Lo spessore può essere adoperato per rifinire proiezioni verticali in laminato o legno.

Uso del perno di centraggio (fig. F)

Il perno di centraggio può essere utilizzato per eseguire degli intagli ad andamento circolare.

- ◆ Praticare un foro per la punta del perno di centraggio al centro del cerchio da intagliare.
- ◆ Collocare la fresa sul pezzo con la punta del perno centrale nel foro appena praticato.
- ◆ Regolare il raggio del cerchio mediante le barre della guida dei bordi.
- ◆ Ora la fresatrice può essere spostata sopra il pezzo, per tagliare il cerchio.

Uso del copiatore (fig. G)

Il copiatore aiuta a mantenere una distanza di taglio costante lungo il bordo di pezzi di forma irregolare.

- ◆ Collocare la fresatrice sul pezzo alla distanza desiderata dal bordo da copiare.
- ◆ Regolare le barre della guida dei bordi finché la ruota non tocca il pezzo.

Avviamento e spegnimento

Accensione

- ◆ Tenere premuto il pulsante di sblocco (2) e premere l'interruttore on/off (1).
- ◆ Rilasciare il pulsante di sblocco.

Spegnimento

- ◆ Rilasciare l'interruttore on/off.

Attenzione! Sostenere sempre l'elettrotensile con entrambe le mani.

Consigli per un'ottima utilizzazione

- ◆ Quando si lavora sui bordi esterni, spostare l'elettrotensile in senso antiorario (fig. M). Quando si lavora sui bordi interni, spostare l'elettrotensile in senso orario.
- ◆ Utilizzare le frese HSS per il legno morbido.
- ◆ Utilizzare le frese TCT per il legno duro.
- ◆ E' possibile utilizzare l'elettrotensile senza una guida (fig. N). E' utile per le incisioni e le applicazioni creative. Pratica solo tagli poco profondi.
- ◆ Per informazioni sui tipi di frese più diffuse, consultare la tabella seguente.

Punte per fresare (fig. O)

Descrizione	Applicazione
Punta diritta (1)	Scanalature e smussature
Punta per rifinire (2)	Rifinitura di laminati o legno duro, profilatura di precisione utilizzando una maschera
Punta per incavare (3)	Smussatura di pezzi dritti o curvi
Punta per scanalature a V (4)	Scanalature, incisioni e ugnatura di bordi
Punta per cassa d'anima (5)	Intaglio, incisione e modanatura ornamentale
Punta per modanatura a guscio (6)	Modanatura ornamentale
Punta per modanatura a S (7)	Modanatura ornamentale
Punta per modanatura a S (9)	Arrotondamento bordi
Punta per code di rondine (10)	Giunti a coda di rondine
Punta per smusso (11)	Bordi a smusso

Manutenzione

Questo elettrotensile è stato progettato per funzionare a lungo con un minimo di manutenzione. Per un funzionamento sempre soddisfacente è necessario avere cura dell'elettrotensile e provvedere alla regolare pulizia.

Attenzione! Prima di eseguire qualsiasi intervento di manutenzione, spegnere l'elettrotensile e disinserire la spina dalla presa.

- ◆ Le feritoie di ventilazione dell'elettrotensile devono essere pulite regolarmente con un pennello morbido o un panno asciutto.
- ◆ Il vano del motore deve essere pulito regolarmente con un panno umido. Non usare materiali abrasivi o detergenti a base di solventi.

Protezione dell'ambiente



Raccolta differenziata. Questo prodotto non deve essere smaltito con i normali rifiuti domestici.

Nel caso in cui si decida di sostituire l'apparecchio oppure di disfarsene in quanto non più necessario, non dovrà essere smaltito con i normali rifiuti domestici. Smaltire il prodotto tramite raccolta differenziata.



La raccolta differenziata di prodotti e imballaggi usati, consente il riciclaggio e il riutilizzo dei materiali. Riutilizzare i materiali riciclati aiuta a prevenire l'inquinamento ambientale e riduce la richiesta di materie prime.

In base alle normative locali, i servizi per la raccolta differenziata di elettrodomestici possono essere disponibili

presso i punti di raccolta municipali o presso il rivenditore, al momento dell'acquisto di un nuovo prodotto.

Black & Decker offre ai suoi clienti un servizio per la raccolta differenziata e la possibilità di riciclare i prodotti Black & Decker che hanno esaurito la loro durata in servizio. Per usufruire del servizio, è sufficiente restituire il prodotto a qualsiasi tecnico autorizzato, incaricato della raccolta per conto dell'azienda.

Per individuare il tecnico autorizzato più vicino, rivolgersi alla sede Black & Decker locale, presso il recapito indicato nel presente manuale. Altrimenti un elenco completo di tutti i tecnici autorizzati Black & Decker e i dettagli completi sui contatti e i servizi post-vendita sono disponibili sul sito Internet: www.2helpU.com

Dati tecnici

	KW900E Type 1	
Tensione	V _{AC}	230
Potenza assorbita	W	1.200
Velocità a vuoto	min ⁻¹	8.000 - 27.000
Dimensione della bussola		5/16" (8 mm) / 1/4" (6,35 mm) / 6 mm
Diametro max. fresa	mm	30
Profondità massima di taglio	mm	55
Peso	kg	3,6

Livello di pressione sonora, dati conformi alla norma EN 60745:

Pressione sonora (L_{pA}) 95 dB(A), incertezza (K) 3 dB(A)
Potenza acustica (L_{WA}) 106 dB(A), incertezza (K) 3 dB(A)

Valori totali di vibrazione (somma vettoriale triax) determinati in base a EN 60745:

Valore di emissione delle vibrazioni (a_h) 5,77 m/s²,
incertezza (K) 1,5 m/s²

Dichiarazione di conformità CE

DIRETTIVA MACCHINE



KW900E

Black & Decker dichiara che i prodotti descritti nella sezione "dati tecnici" sono conformi con:
2006/42/CE, EN 60745-1, EN 60745-2-11

Per ulteriori informazioni, contattare Black & Decker ai seguenti indirizzi o consultare il retro del manuale.

Il sottoscritto è responsabile della compilazione del file tecnico e rilascia la presente dichiarazione per conto di Black & Decker.

Kevin Hewitt
Vicepresidente progettazione globale
Black & Decker Europe, 210 Bath Road, Slough,
Berkshire, SL1 3YD
Regno Unito
31/03/2010

Garanzia

Certa della qualità dei suoi prodotti, Black & Decker offre una garanzia eccezionale. Il presente certificato di garanzia è complementare ai diritti statutari e non li pregiudica in alcun modo. La garanzia è valida entro il territorio degli Stati membri dell'Unione Europea e dell'EFTA (European Free Trade Area).

Se un prodotto Black & Decker risulta difettoso per qualità del materiale, della costruzione o per mancata conformità entro 24 mesi dalla data di acquisto, Black & Decker garantisce la sostituzione delle parti difettose, provvede alla riparazione dei prodotti se ragionevolmente usurati oppure alla loro sostituzione, in modo da ridurre al minimo il disagio del cliente a meno che:

- ◆ Il prodotto non sia stato destinato ad usi commerciali, professionali o al noleggio;
- ◆ Il prodotto non sia stato usato in modo improprio o scorretto;
- ◆ Il prodotto non abbia subito danni causati da oggetti o sostanze estranee oppure incidenti;
- ◆ Il prodotto non abbia subito tentativi di riparazione non effettuati da tecnici autorizzati né dall'assistenza Black & Decker.

Per attivare la garanzia è necessario esibire la prova comprovante l'acquisto al venditore o al tecnico autorizzato. Per individuare il tecnico autorizzato più vicino, rivolgersi alla sede Black & Decker locale, presso il recapito indicato nel presente manuale. Altrimenti un elenco completo di tutti i tecnici autorizzati Black & Decker e i dettagli completi sui contatti e i servizi post-vendita sono disponibili su Internet presso: **www.2helpU.com**

I clienti che desiderano registrare il nuovo prodotto Black & Decker e ricevere gli aggiornamenti sui nuovi prodotti e le offerte speciali, sono invitati a visitare il sito Web (**www.blackanddecker.it**). Ulteriori informazioni sul marchio e la gamma di prodotti Black & Decker sono disponibili all'indirizzo **www.blackanddecker.it**

Gebruik volgens bestemming

Uw Black & Decker bovenfrees is ontwikkeld voor het frezen van hout en houtproducten. Deze machine is uitsluitend bestemd voor consumentengebruik.

Veiligheidsvoorschriften

Algemene veiligheidswaarschuwingen voor elektrisch gereedschap



Waarschuwing! Lees alle veiligheidsinstructies en alle voorschriften. Wanneer de volgende waarschuwingen en voorschriften niet in acht worden genomen, kan dit een elektrische schok, brand of ernstig letsel tot gevolg hebben.

Bewaar alle waarschuwingen en instructies zorgvuldig.

Het hierna gebruikte begrip "elektrisch gereedschap" heeft betrekking op elektrische gereedschappen voor gebruik op het stroomnet (met netsnoer) of op batterijen (snoerloos).

1. Veiligheid van de werkomgeving

- a. **Houd uw werkomgeving schoon en opgeruimd.**
Een rommelige en een onverlichte werkomgeving kan tot ongevallen leiden.
- b. **Werk niet met elektrische gereedschappen in een omgeving met explosiegevaar, zoals in aanwezigheid van brandbare vloeistoffen, gassen of stof.** Elektrische gereedschappen veroorzaken vonken die het stof of de dampen tot ontsteking kunnen brengen.
- c. **Houd kinderen en andere personen tijdens het gebruik van het elektrische gereedschap uit de buurt.** Wanneer u wordt afgeleid, kunt u de controle over het gereedschap verliezen.

2. Elektrische veiligheid

- a. **De netstekker van het gereedschap moet in het stopcontact passen. De stekker mag in geen geval worden veranderd. Gebruik geen adapterstekkers in combinatie met gearde gereedschappen.**
Onveranderde stekkers en passende stopcontacten verminderen de kans op een elektrische schok.
- b. **Voorkom aanraking van het lichaam met gearde oppervlakken, bijvoorbeeld buizen, verwarmingen, fornuizen en koelkasten.** De kans op een elektrische schok is groter als uw lichaam geard is.
- c. **Stel elektrisch gereedschap niet bloot aan regen en vocht.** In elektrisch gereedschap binnendringend water vergroot de kans op een elektrische schok.
- d. **Gebruik het snoer niet voor een verkeerd doel.**
Gebruik het snoer niet om het gereedschap te dragen, voor te trekken of om de stekker uit het stopcontact te trekken. Houd het snoer uit de buurt van hitte, olie,

scherpe randen of bewegende delen. Beschadigde of in de war geraakte snoeren vergroten de kans op een elektrische schok.

- e. **Gebruik wanneer u buitenshuis met elektrisch gereedschap werkt alleen verlengsnoeren die voor gebruik buitenshuis zijn goedgekeurd.** Het gebruik van een voor gebruik buitenshuis geschikt verlengsnoer verkleint de kans op een elektrische schok.
 - f. **Gebruik een netvoeding voorzien van een reststroomvoorziening (RCD) indien het gebruiken van elektrisch gereedschap op een vochtige locatie onvermijdelijk is.** Gebruik van een reststroomvoorziening verkleint het risico van elektrische schok.
- #### 3. Veiligheid van personen
- a. **Wees alert, let goed op wat u doet en ga met verstand te werk bij het gebruik van elektrische gereedschappen. Gebruik elektrisch gereedschap niet wanneer u moe bent of onder invloed van drugs, alcohol of medicijnen.** Een moment van onoplettendheid bij het gebruik van het gereedschap kan tot ernstige verwondingen leiden.
 - b. **Gebruik persoonlijke beschermende uitrusting. Draag altijd oogbescherming.** Persoonlijke beschermende uitrusting zoals een stofmasker, slipvaste werkschoenen, een veiligheidshelm of gehoorbescherming, gebruikt voor geschikte condities, verkleint het risico van verwondingen.
 - c. **Voorkom onbedoeld inschakelen. Zorg ervoor dat de schakelaar in de "uit"-stand staat voordat u de stekker in het stopcontact steekt, de accu plaatst of het gereedschap oppakt of draagt.** Het dragen van het gereedschap met uw vinger aan de schakelaar of het gereedschap ingeschakeld op de stroomvoorziening aansluiten kan tot ongelukken leiden.
 - d. **Verwijder stelsleutels of moersleutels voordat u het gereedschap inschakelt.** Een sleutel in een draaiend onderdeel van het elektrische gereedschap kan tot verwondingen leiden.
 - e. **Reik niet te ver. Zorg altijd dat u stevig staat en in evenwicht blijft.** Daardoor kunt u het gereedschap in onverwachte situaties beter onder controle houden.
 - f. **Draag geschikte kleding. Draag geen loshangende kleding of sieraden. Houd haren, kleding en handschoenen uit de buurt van bewegende delen.** Loshangende kleding, sieraden en lange haren kunnen bekneld raken in bewegende delen.
 - g. **Sluit eventueel bijgeleverde stofzuig- of stofopvangvoorzieningen aan en gebruik ze op de juiste manier.** Het gebruik van stofopvang beperkt het gevaar door stof.
- #### 4. Gebruik en onderhoud van elektrische gereedschappen
- a. **Overbelast het gereedschap niet. Gebruik voor uw**

toepassing het daarvoor bestemde elektrische gereedschap werkt u beter en veiliger binnen het aangegeven capaciteitsbereik.

- b. **Gebruik geen elektrisch gereedschap waarvan de schakelaar defect is.** Elektrisch gereedschap dat niet meer kan worden in- of uitgeschakeld is gevaarlijk en moet worden gerepareerd.
 - c. **Trek de stekker uit het stopcontact en/of accu alvorens het gereedschap af te stellen, accessoires te verwisselen of elektrisch gereedschap op te bergen.** Deze voorzorgsmaatregel voorkomt onbedoeld starten van het gereedschap.
 - d. **Bewaars elektrische gereedschappen die niet worden gebruikt buiten bereik van kinderen. Laat personen die niet met het gereedschap vertrouwd zijn of deze aanwijzingen niet hebben gelezen niet met het gereedschap werken.** Elektrische gereedschappen zijn gevaarlijk in de handen van onervaren personen.
 - e. **Verzorg het gereedschap zorgvuldig. Controleer bewegende delen van het gereedschap op goede uitlijning en soepele werking. Controleer of onderdelen niet gebroken zijn of dat de werking van het gereedschap niet op enige andere wijze nadelig wordt beïnvloed. Laat beschadigde delen repareren voordat u met het gereedschap gaat werken.** Veel ongevallen worden veroorzaakt door slecht onderhouden elektrische gereedschappen.
 - f. **Houd snijgereedschappen scherp en schoon.** Zorgvuldig onderhouden snijgereedschappen met scherpe snijkanten lopen minder snel vast en zijn gemakkelijker te sturen.
 - g. **Gebruik elektrische gereedschappen, toebehoren, inzetgereedschappen en dergelijke volgens deze aanwijzingen. Let daarbij op de arbeidsomstandigheden en de uit te voeren werkzaamheden.** Het gebruik van elektrische gereedschappen voor andere dan de voorziene toepassingen kan tot gevaarlijke situaties leiden.
5. **Service**
- a. **Laat het elektrische gereedschap alleen repareren door een gekwalificeerde reparateur en alleen met gebruik van originele vervangingsonderdelen.** Dit garandeert de veiligheid van het gereedschap.

Aanvullende veiligheids waarschuwingen voor elektrisch gereedschap



Waarschuwing! Aanvullende veiligheids waarschuwingen voor frezen

raken. Bij het doorsnijden van een onder spanning staande leiding kunnen de blootliggende metalen onderdelen van het apparaat onder spanning komen te staan, waardoor de bediener een schok krijgt.

- ◆ **Pas klemmen of een andere praktische manier toe om het werkstuk op een stabiele ondergrond vast te klemmen en te ondersteunen.** Het werkstuk met de hand vasthouden of tegen het lichaam houden zorgt voor instabiliteit en kan leiden tot controleverlies.
- Waarschuwing!** Contact met of inademing van stoffen die veroorzaakt worden door freeswerkzaamheden kan schadelijk zijn voor de gezondheid van de gebruiker en mogelijke omstanders. Draag een stofmasker dat speciaal bedoeld is ter bescherming tegen stoffen en dampen en controleer of andere personen op de werkvloer of die de werkvloer betreden eveneens beschermd zijn.
- ◆ Verwijder zorgvuldig al het stof na het frezen.
 - ◆ Gebruik alleen freesbeitels met een schachtdiameter gelijk aan de afmeting van de spantang in het apparaat.
 - ◆ Gebruik alleen freesbeitels die geschikt zijn voor de onbelaste snelheid van het apparaat.
 - ◆ Gebruik nooit freesbeitels met een diameter die groter is dan de maximumdiameter zoals gespecificeerd in het deel met de technische gegevens.
 - ◆ Gebruik het apparaat niet in een omgekeerde stand.
 - ◆ Probeer niet met het apparaat in stationaire stand te gebruiken.
 - ◆ Laat een beschadigd netsnoer vervangen door de fabrikant of een erkend Black & Decker Servicecentrum om gevaren te voorkomen.
 - ◆ Neem speciale maatregelen bij het frezen van verf met mogelijk een loodbasis of bij het frezen van bepaalde hout- en metaalsoorten die mogelijk giftige stoffen produceren:
 - Kinderen en zwangere vrouwen mogen de werkvloer niet betreden.
 - Eten, drinken en roken op de werkvloer is niet toegestaan.
 - Verwijder stof en ander afval op veilige en verantwoorde wijze.
 - ◆ Dit apparaat is niet bedoeld voor gebruik door personen (inclusief kinderen) met beperkt lichamelijk, zintuiglijk of geestelijk vermogen of gebrek aan ervaring en kennis, tenzij zij onder toezicht staan of instructie hebben gekregen over het gebruik van het apparaat van een persoon die verantwoordelijk is voor hun veiligheid. Houd toezicht op kinderen om te voorkomen dat zij met het apparaat gaan spelen.
 - ◆ Deze handleiding beschrijft het bedoelde gebruik van het apparaat. Gebruik van accessoires of hulpstukken of het uitvoeren van werkzaamheden met dit apparaat die niet in deze handleiding zijn beschreven, kan leiden tot persoonlijk letsel en/of schade aan eigendommen.

- ◆ **Houd het apparaat bij de geïsoleerde greepvlakken vast, aangezien de freesbeitel het eigen snoer kan**

Veiligheid van anderen

- ◆ Dit apparaat is niet bedoeld voor gebruik door personen (inclusief kinderen) met beperkt lichamelijk, zintuigelijk of geestelijk vermogen, of gebrek aan ervaring en kennis, tenzij ze de supervisie of instructie is gegeven omtrent het gebruik van het apparaat door een persoon die verantwoordelijk is voor hun veiligheid.
- ◆ Houd toezicht op kinderen om te voorkomen dat zij met het apparaat gaan spelen.

Overige risico's.

Er kunnen zich tijdens het gebruik van het gereedschap ook andere risico's voordoen die misschien niet in de bijgevoegde veiligheidswaarschuwingen worden vermeld. Deze risico's kunnen zich voordoen als gevolg van onoordeelkundig gebruik, langdurig gebruik, enz.

Zelfs als de veiligheidsvoorschriften in acht worden genomen en de veiligheidsvoorzieningen worden geïmplementeerd, kunnen bepaalde risico's niet worden vermeden. Deze omvatten:

- ◆ **Verwondingen die worden veroorzaakt door het aanraken van draaiende of bewegende onderdelen.**
- ◆ **Verwondingen die worden veroorzaakt bij het vervangen van onderdelen, bladen of accessoires.**
- ◆ **Verwondingen die worden veroorzaakt door langdurig gebruik van het gereedschap. Als u langere periodes met het gereedschap werkt, is het raadzaam om regelmatig een pauze in te lassen.**
- ◆ **Gehoorschadiging.**
- ◆ **Gezondheidsrisico's als gevolg van het inademen van stof dat door gebruik van het gereedschap wordt veroorzaakt (bijvoorbeeld tijdens het werken met hout, vooral eiken, beuken en MDF.)**

Vibratie

De verklaarde trillingsafgifte in het gedeelte van de technische gegevens / conformiteitsverklaring zijn gemeten volgens een standaard testmethode vastgesteld door EN 60745 en kan worden gebruikt om apparaten met elkaar te vergelijken. De verklaarde trillingsafgifte kan ook worden gebruikt in een voorlopige beoordeling van blootstelling.

Waarschuwing! De waarde van de trillingsafgifte tijdens daadwerkelijk gebruik van elektrisch gereedschap kan afwijken van de verklaarde waarde afhankelijk op wat voor manieren het apparaat wordt gebruikt. Het trillingsniveau kan toenemen boven het aangegeven niveau.

Bij het bepalen van de trillingsblootstelling ter vaststelling van de veiligheidsmaatregelen vereist door 2002/44/EG - ter bescherming van personen die werkmatig geregeld elektrisch gereedschap gebruiken - dient een inschatting van de

trillingsblootstelling de feitelijke gebruikscondities en bedieningswijze in acht te nemen, inclusief alle onderdelen van de bedieningscyclus, zoals het uitschakelen van het apparaat en het onbelast laten lopen alsmede de trekkertijd.

Labels op de machine

Op de machine vindt u de volgende pictogrammen:



Waarschuwing! De gebruiker moet de handleiding lezen om risico op letsel te verkleinen

Elektrische veiligheid



Deze machine is dubbel geïsoleerd; een aardaansluiting is daarom niet noodzakelijk. Controleer altijd of uw netspanning overeenkomt met de waarde op het typeplaatje.

- ◆ Indien het netsnoer is beschadigd, dient het ter voorkoming van gevaren te worden vervangen door de fabrikant of een erkend servicecentrum.

Onderdelen

1. Aan/uit-schakelaar
2. Ontgrendelingsknop
3. Snelheidsinstelknop
4. Vergrendelingshendel
5. Asvergrendelingsknop
6. Spantang
7. Drievoudige diepteaanslag
8. Spaandeflector
9. Diepteaanslagstaaf
10. Schaalaaanduiding voor zaagdiepte
11. Stofafzuigadapter

Montage

Waarschuwing! Zorg vóór aanvang van de montage dat de machine is uitgeschakeld en de netstekker van het lichtnet is losgekoppeld.

Bevestigen van een freesbit (fig. A)

- ◆ Verwijder de spaandeflector (8).
- ◆ Houd de asvergrendelingsknop (5) ingedrukt en draai de as totdat de asvergrendeling volledig inkomt.
- ◆ Draai de spanmoer (12) los met de meegeleverde steeksleutel.
- ◆ Steek de schacht van de freesbit (13) in de spantang (6). Zorg er voor dat de schacht tenminste 3 mm uit de spantang steekt, zoals afgebeeld.
- ◆ Houd de asvergrendelingsknop (5) ingedrukt en draai de spanmoer (12) vast met de meegeleverde steeksleutel.

Bevestigen van de kantengeleider (fig. B)

De kantengeleider geleidt de machine evenwijdig aan een rand.

- ◆ Bevestig de staven (14) aan de kantengeleider (15) met de twee meegeleverde schroeven (16).
- ◆ Steek de staven (14) in de freesplaat zoals afgebeeld.
- ◆ Stel de kantengeleider af op de gewenste afstand.
- ◆ Draai de bevestigingsschroeven (17) vast.

Bevestigen van de stofafzuigadapter (fig. D)

Met de stofafzuigadapter kunt u een stofzuiger op de machine aansluiten.

- ◆ Sluit de stofzuigermond (18) aan op de adapter (11).

Bevestigen van de sjabloongeleider (fig. D)

- ◆ Bevestig de sjabloongeleider (19) aan de freesplaat, met de flens aan de onder (werkstuk) zijde.
- ◆ Steek de twee lange schroeven (20) van onderaf door de sjabloongeleider en de gaten in de freesplaat.
- ◆ Plaats een moer op elk van de schroeven en draai de moeren goed vast.

Bevestig van het afstandsstuk (fig. E)

- ◆ Bevestig het afstandsstuk (21) aan de freesplaat met de meegeleverde schroeven.

Bevestigen van de centreerpen (fig. F)

- ◆ Bevestig de kantengeleider aan de bovenfrees zoals afgebeeld in fig. B, maar ondersteboven.
- ◆ Bevestig de centreerpen (22) aan de werkstukzijde van de kantengeleider met de meegeleverde schroef (23).

Bevestigen van de kopiegeleider (fig. G)

- ◆ Bevestig de kantengeleider aan de bovenfrees zoals afgebeeld in fig. B.
- ◆ Bevestig de 'L' beugel (24) aan de bovenkant van de kantengeleider met de twee meegeleverde schroeven en moeren.
- ◆ Stel het loopwiel (25) aan de 'L' beugel af met de vleugelschroef (26).

Gebruik

Waarschuwing! Laat de machine op haar eigen tempo werken. Niet overbelasten.

- ◆ Geleid de kabel zorgvuldig om te voorkomen dat u deze per ongeluk doorsnijdt.

Instellen van de freesdiepte (fig. H, I & J)

De freesdiepte is de afstand X tussen de diepteaanslagstaaf (9) en de diepteaanslag (27). De freesdiepte kan op twee verschillende manieren worden ingesteld, zoals hieronder wordt beschreven.

Afstellen van de freesdiepte met de schaal aanduiding (fig. I)

- ◆ Monteer de freesbit zoals hierboven beschreven.
- ◆ Draai de borgschroef (28) los.
- ◆ Draai de vergrendelingshendel (4) omhoog.
- ◆ Beweeg de bovenfrees naar beneden totdat de freesbit het werkstuk raakt.
- ◆ Duw de vergrendelingshendel (4) naar beneden.
- ◆ Beweeg de wijzer (29) naar de nulpositie op de schaal (10).
- ◆ Voeg de gewenste freesdiepte aan de startpositie toe.
- ◆ Schuif de diepteaanslagstaaf (9) naar de berekende positie op de schaal.
- ◆ Draai de borgschroef (28) vast.
- ◆ Fijn-afstellen met behulp van de vergrendelingsknop (30).
- ◆ Trek de vergrendelingshendel (4) omhoog en laat de bovenfrees naar de uitgangspositie terugkomen.
- ◆ Zet de bovenfrees aan. Beweeg hem naar beneden en maak de gewenste snede.

Afstellen van de freesdiepte met een stuk hout (fig. J)

- ◆ Monteer de freesbit en beweeg de bovenfrees naar beneden zoals hierboven beschreven.
- ◆ Trek de diepteaanslagstaaf (9) omhoog.
- ◆ Plaats een stuk hout met een dikte gelijk aan de gewenste freesdiepte tussen de diepteaanslag (27) en de diepteaanslagstaaf (9).
- ◆ Draai de borgschroef (28) vast.
- ◆ Fijn-afstellen met behulp van de vergrendelingsknop (30).
- ◆ Verwijder het stuk hout.
- ◆ Trek de vergrendelingshendel (4) omhoog en laat de bovenfrees naar de uitgangspositie terugkomen.
- ◆ Zet de bovenfrees aan. Beweeg hem naar beneden en maak de gewenste snede.

Afstellen van de drievoudige diepteaanslag (fig. K)

Nadat u de drievoudige diepteaanslag op de gewenste waarde heeft gedraaid, kunt u de te gebruiken diepteaanslag fijn-afstellen. Als u meerdere snedes wilt maken met verschillende freesdieptes, moet u elke diepteaanslag afstellen.

- ◆ Draai de diepteaanlagschroef (31) naar wens naar boven of beneden met een schroevendraaier.

Snelheid instellen

- ◆ Zet de snelheidsregelknop (3) op de gewenste snelheid. Gebruik een hoge snelheid voor freesbits met een kleine diameter. Gebruik een lage snelheid voor freesbits met een grote diameter.

Een lat gebruiken als geleider (fig. L)

Indien het niet mogelijk is om de kantengeleider te gebruiken (bijvoorbeeld tijdens het frezen van groeven voor het ondersteunen van kastplanken), gaat u als volgt tewerk:

- ◆ Neem een stuk hout met een rechte zijde om als geleider te gebruiken.

- ◆ Plaats de lat op het werkstuk.
- ◆ Beweeg de lat totdat deze in de juiste positie is om de machine te geleiden.
- ◆ Klem de lat goed vast op het werkstuk.

De sjabloongeleider gebruiken (fig. D)

De sjabloongeleider kan gebruikt worden om de vorm van een sjabloon uit te frezen, bijvoorbeeld een letter.

- ◆ Bevestig de sjabloon stevig op het werkstuk met dubbelzijdig plakband of met lijmtangen.
- ◆ De freesbit moet beneden de flens van de sjabloongeleider uitsteken, om de vorm van de sjabloon in het werkstuk te frezen.

Het afstandsstuk gebruiken (fig. E)

Het afstandsstuk kan worden gebruikt voor het afrezen van houten of laminaten verticale uitsteeksels.

De centreerpen gebruiken (fig. F)

De centreerpen kan worden gebruikt om cirkelpatronen uit te frezen.

- ◆ Boor een gat voor de punt van de centreerpen in het middelpunt van de uit te frezen cirkel.
- ◆ Plaats de bovenfrees op het werkstuk met de punt van de centreerpen in het geboorde gat.
- ◆ Stel de straal van de cirkel af met de stangen van de kantengeleider.
- ◆ De bovenfrees kan nu over het werkstuk worden bewogen om de cirkel uit te frezen.

De kopieergeleider gebruiken (fig. G)

Met de kopieergeleider kunt u een gelijke freesafstand langs de rand van onregelmatig gevormde werkstukken aanhouden.

- ◆ Plaats de bovenfrees op het werkstuk op de gewenste afstand van de te kopiëren rand.
- ◆ Stel de staven van de kantengeleider zo af dat het wiel het werkstuk raakt.

Aan- en uitschakelen

Inschakelen

- ◆ Houd de ontgrendelingsknop (2) ingedrukt, terwijl u de aan/uit-schakelaar (1) indrukt.
- ◆ Laat de ontgrendelingsknop los.

Uitschakelen

- ◆ Laat de aan/uit-schakelaar los.

Waarschuwing! Bedien de machine altijd met beide handen.

Tips voor optimaal gebruik

- ◆ Bij het frezen van buitenkanten de machine tegen de klok in bewegen (fig. M). Bij het frezen van binnenkanten de machine met de klok mee bewegen.

- ◆ Gebruik HSS (snelstaal) freesbits voor het frezen van zacht hout.
- ◆ Gebruik TCT (hardmetaal) freesbits voor het frezen van hardhout.
- ◆ De machine kan zonder geleider worden gebruikt (fig. N). Dit is nuttig voor het maken van letters en creatief werk. Maak uitsluitend ondiepe snedes.
- ◆ Zie onderstaande tabel voor gangbare types freesbits.

Freesbits (fig. O)

Beschrijving	Toepassing
Rechte frees (1)	Groeven en sponningen
Rechte frees (2)	Afrezen van laminaten en hardhout; nauwkeurig profielfrezen met een sjabloon
Sponningfrees (3)	Sponningen in rechte of gekromde werkstukken
V-groeffrees (4)	Groeven, graveerwerk en afschuiningen
Holle groeffrees (5)	Uithollen, graveerwerk en decoratief kantenfrezen
Bolle frees (6)	Decoratief kantenwerk
Ogieffrees	Decoratief kantenwerk
Afrondfrees (9)	Afronden van kanten
Zwaluwstaarfrees (10)	Zwaluwstaartverbindingen
Afschuinfrees (11)	Afschuiningen

Onderhoud

Dit gereedschap is ontworpen om gedurende langere periode te functioneren met een minimum aan onderhoud.

Voortdurend tevreden gebruik is afhankelijk van correct onderhoud en regelmatig schoonmaken.

Waarschuwing! Zorg vóór aanvang van onderhoudswerkzaamheden dat de machine is uitgeschakeld en de netstekker van het lichtnet is losgekoppeld.

- ◆ Reinig regelmatig de ventilatieopeningen van uw machine met een zachte borstel of een droge doek.
- ◆ Reinig regelmatig de behuizing van de motor met een vochtige doek. Gebruik geen schuur- of oplosmiddel.

Milieu



Gescheiden inzameling. Dit product mag niet met het gewone huishoudelijke afval worden weggegooid.

Wanneer uw oude Black & Deckerproduct aan vervanging toe is of het u niet langer van dienst kan zijn, gooi het dan niet bij het huishoudelijk afval. Zorg ervoor dat het product gescheiden kan worden ingezameld.



Door gebruikte producten en verpakkingen gescheiden in te zamelen, worden de materialen gerecycled en opnieuw gebruikt. Hergebruik van gerecyclede materialen voorkomt milieuvuiling en vermindert de vraag naar grondstoffen.

EG-conformiteitsverklaring

MACHINERICHTLIJN



Inzamelpunten voor gescheiden inzameling van elektrische huishoudproducten bij gemeentelijke vuilnisbergen of bij de verkoper waar u een nieuw product koopt, kunnen aan plaatselijke voorschriften gebonden zijn.

Black & Decker biedt de mogelijkheid tot inzamelen en recyclen van afgedankte Black & Decker producten. Om gebruik van deze service te maken, dient u het product aan een van onze servicecentra te sturen, die voor ons de inzameling verzorgen.

U kunt het adres van het dichtstbijzijnde servicecentrum opvragen via de adressen op de achterzijde van deze handleiding. U kunt ook een lijst van onze servicecentra en meer informatie m.b.t. onze klantenservice vinden op het volgende Internet-adres: www.2helpU.com

Technische gegevens

	KW900E Type 1
Spanning	V _{AC} 230
Opgenomen vermogen	W 1.200
Onbelast toerental	min ⁻¹ 8.000 - 27.000
Spantang maat	5/16" (8 mm) / 1/4" (6,35 mm) / 6 mm
Max. diameter freesbit	mm 30
Max. freesdiepte	mm 55
Gewicht	kg 3,6

Niveau van de geluidsdruk, gemeten volgens EN 60745:
 Geluidsdruk (L_{prA}) 95 dB(A), onzekerheid (K) 3 dB(A)
 Geluidsvermogen (L_{WA}) 106 dB(A), onzekerheid (K) 3 dB(A)

Totale trillingswaarden (triaxale vectorsom) volgens EN 60745:
 Trillingsafgifte (ah) (a_i) 5,77 m/s², onzekerheid (K) 1,5 m/s²

Black & Decker verklaart dat deze producten, zoals onder "technische gegevens" beschreven, overeenkomstig zijn met: 2006/42/EG, EN 60745-1, EN 60745-2-11

Neem voor meer informatie contact op met Black & Decker via het volgende adres of zie de achterzijde van de handleiding.

De ondergetekende is verantwoordelijk voor de samenstelling van de technische gegevens en geeft deze verklaring namens Black & Decker.

Kevin Hewitt
 Vice-President Global Engineering
 Black & Decker Europe, 210 Bath Road, Slough,
 Berkshire, SL1 3YD
 Verenigd Koninkrijk
 31/03/2010

Garantie

Black & Decker heeft vertrouwen in zijn producten en biedt een uitstekende garantie. Deze garantiebepalingen vormen een aanvulling op uw wettelijke rechten en beperken deze niet. De garantie geldt in de lidstaten van de Europese Unie en de Europese Vrijhandelsassociatie.

Mocht uw Black & Decker product binnen 24 maanden na datum van aankoop defect raken tengevolge van materiaal- of constructiefouten, dan garanderen wij de kosteloze vervanging van defecte onderdelen, de reparatie van het product of de vervanging van het product, tenzij:

- ◆ Het product is gebruikt voor handelsdoeleinden, professionele toepassingen of verhuurdoeleinden;
- ◆ Het product onoordeelkundig is gebruikt;
- ◆ Het product is beschadigd door invloeden van buitenaf of door een ongeval;
- ◆ Reparaties zijn uitgevoerd door anderen dan onze servicecentra of Black & Decker personeel.

Om een beroep op de garantie te doen, dient u een aankoopbewijs te overhandigen aan de verkoper of een van onze servicecentra. U kunt het adres van het dichtstbijzijnde servicecentrum opvragen via de adressen op de achterzijde van deze handleiding. U kunt ook een lijst van onze servicecentra en meer informatie m.b.t. onze klantenservice vinden op het volgende Internet-adres: **www.2helpU.com**

Meld u aan op onze website **www.blackanddecker.nl** om te worden geïnformeerd over nieuwe producten en speciale aanbiedingen. Verdere informatie over het merk Black & Decker en onze producten vindt u op **www.blackanddecker.nl**

Finalidad

Su fresadora Black & Decker ha sido diseñada para fresar madera y sus derivados. Esta herramienta está pensada únicamente para uso doméstico.

Instrucciones de seguridad

Advertencias de seguridad generales para herramientas eléctricas



¡Atención! Lea todas las advertencias e instrucciones de seguridad. En caso de no respetarse las advertencias e instrucciones indicadas a continuación, podría producirse una descarga eléctrica, incendio y/o lesión grave.

Conserve todas las advertencias e instrucciones para su posterior consulta. El término "herramienta eléctrica" empleado en las advertencias indicadas a continuación se refiere a la herramienta eléctrica con alimentación de red (con cable) o alimentada por pila (sin cable).

1. **Seguridad del área de trabajo**
 - a. **Mantenga limpia y bien iluminada el área de trabajo.**
El desorden o una iluminación deficiente en las áreas de trabajo pueden provocar accidentes.
 - b. **No utilice la herramienta eléctrica en un entorno con peligro de explosión, en el que se encuentren combustibles líquidos, gases o material en polvo.**
Las herramientas eléctricas producen chispas que pueden llegar a inflamar los materiales en polvo o vapores.
 - c. **Mantenga alejados a los niños y otras personas del área de trabajo al emplear la herramienta eléctrica.**
Una distracción le puede hacer perder el control sobre la herramienta.
2. **Seguridad eléctrica**
 - a. **El enchufe de la herramienta eléctrica debe corresponder a la toma de corriente utilizada. No es admisible modificar el enchufe en forma alguna. No emplee adaptadores en herramientas eléctricas dotadas con una toma de tierra.** Los enchufes sin modificar adecuados a las respectivas tomas de corriente reducen el riesgo de una descarga eléctrica.
 - b. **Evite que su cuerpo toque partes conectadas a tierra como tuberías, radiadores, cocinas y refrigeradores.** El riesgo a quedar expuesto a una descarga eléctrica es mayor si su cuerpo tiene contacto con tierra.
 - c. **No exponga las herramientas eléctricas a la lluvia y evite que penetren líquidos en su interior.** Existe el peligro de recibir una descarga eléctrica si penetran ciertos líquidos en la herramienta eléctrica.
3. **Seguridad personal**
 - a. **Esté atento a lo que hace y emplee la herramienta eléctrica con prudencia. No utilice la herramienta eléctrica si estuviese cansado, ni tampoco después de haber consumido alcohol, drogas o medicamentos.** El no estar atento durante el uso de una herramienta eléctrica puede provocar serias lesiones.
 - b. **Utilice equipos de protección personal. Lleve siempre protección ocular.** Los equipos de protección tales como una mascarilla antipolvo, zapatos de seguridad con suela antideslizante, casco o protectores auditivos, utilizados en condiciones adecuadas, contribuyen a reducir las lesiones personales.
 - c. **Evite una puesta en marcha involuntaria. Asegúrese de que el interruptor esté en la posición de apagado antes de conectar a la fuente de alimentación o la batería, coger o transportar la herramienta.** Si se transportan herramientas eléctricas con el dedo sobre el interruptor o si se enchufan con el interruptor encendido puede dar lugar a accidentes.
 - d. **Retire las herramientas de ajuste o llaves fijas antes de conectar la herramienta eléctrica.** Una herramienta o llave colocada en una pieza giratoria de la herramienta eléctrica puede producir lesiones al ponerse a funcionar.
 - e. **Sea precavido. Evite adoptar una posición que fatigue su cuerpo; mantenga un apoyo firme sobre el suelo y conserve el equilibrio en todo momento.** Ello le permitirá controlar mejor la herramienta eléctrica en caso de presentarse una situación inesperada.
 - f. **Lleve puesta una vestimenta de trabajo adecuada. No lleve vestidos anchos ni joyas. Mantenga su pelo, vestimenta y guantes alejados de las piezas móviles.** La vestimenta suelta, las joyas y el pelo largo se pueden enganchar con las piezas en movimiento.
- d. **Cuide el cable eléctrico. No utilice el cable eléctrico para transportar o colgar la herramienta eléctrica, ni tire de él para sacar el enchufe de la toma de corriente. Mantenga el cable eléctrico alejado del calor, aceite, bordes afilados o piezas móviles.** Los cables eléctricos dañados o enredados pueden provocar una descarga eléctrica.
- e. **Al trabajar con la herramienta eléctrica en la intemperie utilice solamente cables alargadores homologados para su uso en exteriores.** La utilización de un cable alargador adecuado para su uso en exteriores reduce el riesgo de una descarga eléctrica.
- f. **Si fuera inevitable la utilización de una herramienta eléctrica en un lugar húmedo, utilice un suministro protegido con un dispositivo de corriente residual (RCD).** La utilización de un dispositivo de corriente residual reduce el riesgo de descarga eléctrica.

- g. **Siempre que sea posible utilizar unos equipos de aspiración o captación de polvo, asegúrese que éstos estén montados y que sean utilizados correctamente.**

El empleo de equipos de recogida de polvo reduce los riesgos derivados del polvo.

4. **Uso y cuidado de herramientas eléctricas**

- a. **No sobrecargue la herramienta eléctrica. Use la herramienta eléctrica prevista para el trabajo a realizar.** Con la herramienta eléctrica adecuada podrá trabajar mejor y más seguro dentro del margen de potencia indicado.
- b. **No utilice herramientas eléctricas con un interruptor defectuoso.** Las herramientas eléctricas que no se puedan conectar o desconectar son peligrosas y deben hacerse reparar.
- c. **Desconecte el enchufe de la fuente eléctrica y/o la batería de la herramienta eléctrica antes de realizar ajustes, cambiar accesorios o almacenar la herramienta eléctrica.** Esta medida preventiva reduce el riesgo de conectar accidentalmente la herramienta eléctrica.
- d. **Guarde las herramientas eléctricas fuera del alcance de los niños y de las personas que no estén familiarizadas con su uso.** Las herramientas eléctricas utilizadas por personas inexpertas son peligrosas.
- e. **Cuide sus herramientas eléctricas con esmero. Controle si funcionan correctamente, sin atascarse, las partes móviles de la herramienta eléctrica, y si existen partes rotas o deterioradas que pudieran afectar al funcionamiento de la herramienta. Si la herramienta eléctrica estuviese defectuosa haga que la reparen antes de volver a utilizarla.** Muchos accidentes se deben a herramientas eléctricas con un mantenimiento deficiente.
- f. **Mantenga las herramientas de corte limpias y afiladas.** Las herramientas de corte mantenidas correctamente se dejan guiar y controlar mejor.
- g. **Utilice la herramienta eléctrica, los accesorios y las puntas de la herramienta, etc. de acuerdo a estas instrucciones, teniendo en cuenta las condiciones de trabajo y la tarea a realizar.** El uso de herramientas eléctricas para trabajos diferentes de aquellos para los que han sido concebidas puede resultar peligroso.

5. **Servicio técnico**

- a. **Haga reparar su herramienta eléctrica sólo por personal técnico autorizado que emplee exclusivamente piezas de repuesto originales.** Solamente así se garantiza la seguridad de la herramienta eléctrica.

Advertencias de seguridad adicionales para herramientas eléctricas



¡Atención! Advertencias de seguridad adicionales para fresadoras

- ◆ **Sujete la herramienta eléctrica únicamente por las empuñaduras aisladas, porque la broca de fresado puede tocar su propio cable.** Cortar un cable con corriente puede hacer que las partes metálicas al descubierto de la herramienta eléctrica provoquen una descarga al usuario.
- ◆ **Utilice mordazas u otra forma práctica para fijar y soportar la pieza de trabajo a una plataforma estable.** Sujetar el trabajo a mano o contra su cuerpo hace que pierda estabilidad y puede provocar la pérdida de control.

¡Atención! El contacto o la inhalación de polvo desprendido por aplicaciones de fresado, puede poner en peligro la salud del operario y la de aquellos próximos a usted. Utilice una mascarilla contra el polvo diseñada específicamente para proteger contra el polvo y las emanaciones y asegúrese de que las demás personas que se encuentren dentro de, o que penetren en el área de trabajo, también estén protegidas.

- ◆ Elimine a fondo todo el polvo después de fresar.
- ◆ Utilice únicamente brocas de fresado cuyo diámetro de vástago sea igual al tamaño del portaherramientas instalado en la herramienta.
- ◆ Utilice únicamente brocas de fresado que se adapten a la velocidad sin carga de la herramienta.
- ◆ No utilice nunca brocas de fresado cuyo diámetro sea superior al máximo especificado en la sección dedicada a información sobre características técnicas.
- ◆ No use la herramienta en posición invertida.
- ◆ No trate de utilizar la herramienta en modo estático.
- ◆ Si el cable eléctrico está estropeado, debe ser sustituido por el fabricante o un servicio técnico autorizado de Black & Decker con el fin de evitar accidentes.
- ◆ Tenga especial cuidado al fresar cuando haya pintura que pueda tener base de plomo o cuando frese maderas que puedan producir polvo tóxico.
 - No permita la entrada de niños ni de mujeres embarazadas al área de trabajo.
 - No ingiera alimentos, beba o fume en la zona de trabajo.
 - Deshágase de las partículas de polvo y demás residuos de un modo seguro.
- ◆ Esta herramienta no está destinada para ser utilizada por personas (niños incluidos) con capacidades físicas, sensoriales o mentales reducidas, o que carezcan de experiencia y conocimiento, a menos que reciban supervisión o instrucción respecto al uso de la misma por una persona responsable de su seguridad. Debe vigilarse a los niños para asegurarse de que no jueguen con el aparato.

- ◆ En este manual de instrucciones se explica el uso previsto. El uso de otros accesorios, adaptadores, o la propia utilización de la herramienta en cualquier forma diferente de las recomendadas en este manual de instrucciones puede constituir un riesgo de lesiones a las personas y/o daños materiales.

Seguridad de otras personas

- ◆ Este aparato no está destinado para ser utilizado por personas (niños incluidos) con capacidades físicas, sensoriales o mentales reducidas, o que carezcan de experiencia y conocimiento, a menos que reciban supervisión o instrucción respecto al uso del aparato por una persona responsable de su seguridad.
- ◆ Debe vigilarse a los niños para asegurarse de que no jueguen con el aparato.

Riesgos residuales.

El uso de esta herramienta puede producir riesgos residuales adicionales no incluidos en las advertencias de seguridad adjuntas. Estos riesgos se pueden generar por un uso incorrecto, demasiado prolongado, etc.

El cumplimiento de las normas de seguridad correspondientes y el uso de dispositivos de seguridad no evitan ciertos riesgos residuales. Estos riesgos incluyen:

- ◆ **Lesiones producidas por el contacto con piezas móviles o giratorias.**
- ◆ **Lesiones producidas al cambiar cualquier pieza, cuchilla o accesorio.**
- ◆ **Lesiones producidas al usar una herramienta por un tiempo demasiado prolongado. Si utiliza una herramienta durante períodos de tiempo demasiado prolongados, asegúrese de realizar pausas con frecuencia.**
- ◆ **Discapacidad auditiva.**
- ◆ **Riesgos para la salud producidos al respirar el polvo que se genera al usar la herramienta (por ejemplo: en los trabajos con madera, especialmente de roble, haya y tableros de densidad mediana.**

Vibración

Los valores declarados de emisión de vibración indicados en los datos técnicos y la declaración de conformidad se han medido de acuerdo a un método de prueba estándar contemplado por la EN 60745 y puede utilizarse para comparar una herramienta con otra. El valor declarado de emisión de vibración también puede utilizarse en una evaluación preliminar de exposición.

¡Atención! El valor de emisión de vibración durante el uso real de la herramienta eléctrica puede variar del valor declarado en función del modo de utilización de la herramienta. El nivel de vibración puede aumentar por encima del valor indicado.

Cuando se evalúe la exposición a la vibración con el fin de determinar las medidas de seguridad exigidas por la 2002/44/CE para proteger a las personas que utilizan herramientas eléctricas en su empleo con regularidad, una estimación de la exposición a la vibración debe considerar las condiciones reales de uso y la forma en que se utiliza la herramienta, teniendo en cuenta incluso todas las partes del ciclo de trabajo como los momentos en que la herramienta se apaga y cuando está conectada sin funcionar además del tiempo de accionamiento.

Etiquetas sobre la herramienta

En la herramienta se indican los siguientes pictogramas:



¡Atención! Para reducir el riesgo de lesiones, el usuario debe leer el manual de instrucciones.

Seguridad eléctrica



La herramienta lleva un doble aislamiento; por lo tanto no requiere una toma a tierra. Compruebe siempre que el suministro eléctrico corresponda con la tensión indicada en la placa de datos.

- ◆ Si el cable eléctrico está estropeado, debe ser sustituido por el fabricante o un servicio técnico autorizado de Black & Decker con el fin de evitar accidentes.

Características

1. Interruptor de encendido/apagado
2. Botón de desbloqueo
3. Pomo de control de velocidad variable
4. Palanca de bloqueo de descenso
5. Botón de bloqueo del eje
6. Portaherramientas
7. Tope de profundidad del elemento giratorio
8. Deflector de viruta
9. Barra de tope de profundidad
10. Escala de profundidad de corte
11. Adaptador para extracción de polvo

Montaje

¡Atención! Antes de proceder al montaje, compruebe que la herramienta está apagada y desenchufada.

Instalación de una broca de fresado (fig. A)

- ◆ Retire el deflector de viruta (8).
- ◆ Mantenga presionado el botón de bloqueo del eje (5) y gire el eje hasta que el bloqueo se enganche completamente.
- ◆ Afloje la tuerca del portaherramientas (12) empleando la llave suministrada.
- ◆ Introduzca el vástago de la broca de fresar (13) en el portaherramientas (6). Asegúrese de que el vástago

sobresalga al menos 3 mm del portaherramientas tal y como se muestra.

- ◆ Mantenga pulsado el botón de bloqueo del eje (5) y apriete la tuerca del portaherramientas (12) utilizando la llave que se suministra.

Instalación de la guía para reborear (fig. B)

La guía para reborear le ayuda a guiar la herramienta en paralelo a un borde.

- ◆ Acople las barras (14) a la guía para reborear (15) utilizando los dos tornillos (16) suministrados.
- ◆ Introduzca las barras (14) en la base de la fresadora como se muestra.
- ◆ Ajuste la guía para reborear a la distancia deseada.
- ◆ Apriete los tornillos de fijación (17).

Instalación del adaptador para extracción de polvo (fig. C)

El adaptador para extracción de polvo le permite conectar un aspirador a la herramienta.

- ◆ Conecte el tubo flexible (18) del aspirador al adaptador (11).

Instalación de la guía de plantilla (fig. D)

- ◆ Fije la guía de plantilla (19) a la base de la fresadora, con la pestaña hacia la parte inferior (pieza de trabajo).
- ◆ Inserte los dos tornillos largos (20) desde la parte inferior pasando por la guía de plantilla y por los orificios de la base.
- ◆ Coloque una tuerca en cada uno de los tornillos y apriete éstas fuertemente.

Instalación de la pieza de separación (fig. E)

- ◆ Fije la pieza de separación (21) a la base de la fresadora empleando los tornillos suministrados.

Instalación del pasador de centrado (fig. F)

- ◆ Fije la guía de reborear a la fresadora tal como se muestra en la fig. B aunque al revés.
- ◆ Fije el pasador de centrado (22) hacia el lado de la pieza de trabajo de la guía de reborear con el tornillo (23) suministrado.

Instalación del copiador (fig. G)

- ◆ Fije la guía de reborear a la fresadora tal como se muestra en la fig. B.
- ◆ Fije la barra "L" (24) al lado superior de la guía de ribetear empleando los dos tornillos y tuercas suministrados.
- ◆ Ajuste el acoplamiento de rotación (25) a la barra "L" con el pomo de mariposa (26).

Uso

¡Atención! Deje que la herramienta funcione a su ritmo. No lo sobrecargue.

- ◆ Guíe con cuidado el cable para evitar que se corte de manera accidental

Ajuste de la profundidad de corte (fig. H, I & J)

La profundidad de corte es la distancia X entre la barra de tope de profundidad (9) y el tope de profundidad (27). La profundidad de corte se puede ajustar de dos maneras distintas como se describe a continuación.

Ajuste de la profundidad de corte utilizando la escala (fig. I)

- ◆ Fije la broca de fresado como se ha descrito anteriormente.
- ◆ Afloje el tornillo de bloqueo (28).
- ◆ Tire hacia arriba de la palanca de bloqueo de descenso (4).
- ◆ Haga descender la fresadora hasta que la broca de fresado entre en contacto con la pieza de trabajo.
- ◆ Empuje hacia abajo la palanca de bloqueo de descenso (4).
- ◆ Mueva el indicador (29) a la posición cero de la escala (10).
- ◆ Añada la profundidad de corte deseada a la posición de inicio.
- ◆ Mueva la barra de tope de profundidad (9) a la posición calculada en la escala.
- ◆ Apriete el tornillo de bloqueo (28).
- ◆ Ajuste con precisión utilizando el pomo de ajuste (30).
- ◆ Tire hacia arriba de la palanca de bloqueo de descenso (4) y deje que la fresadora vuelva a su posición original.
- ◆ Tras conectar la fresadora, hágala descender para realizar el corte deseado.

Ajuste de la profundidad de corte utilizando un trozo de madera (fig. J)

- ◆ Fije la broca de fresado y haga descender la fresadora según lo indicado anteriormente.
- ◆ Tire hacia arriba de la barra de tope de profundidad (9).
- ◆ Coloque un trozo de madera de un grosor igual a la profundidad de corte deseada entre el tope de profundidad (27) y la barra de tope de profundidad (9).
- ◆ Apriete el tornillo de bloqueo (28).
- ◆ Ajuste con precisión utilizando el pomo de ajuste (30).
- ◆ Retire el trozo de madera.
- ◆ Tire hacia arriba de la palanca de bloqueo de descenso (4) y deje que la fresadora vuelva a su posición original.
- ◆ Tras conectar la fresadora, hágala descender para realizar el corte deseado.

Ajuste del tope de profundidad del elemento giratorio (fig. K)

Tras realizar el ajuste deseado del tope de profundidad del elemento giratorio, puede refinar el ajuste preciso del tope de profundidad que va a utilizarse. Si desea realizar varios cortes con distinta profundidad, ajuste cada uno de los topes de profundidad.

- ◆ Gire el tornillo de tope de profundidad (31) hacia arriba o abajo según sea necesario utilizando un destornillador.

Ajuste de la velocidad

- ◆ Sitúe el pomo de control de velocidad (3) en la velocidad deseada. Utilice una velocidad alta para las brocas de fresado de diámetro pequeño. Utilice una velocidad baja para las brocas de fresado de diámetro grande.

Utilización de un listón como guía (fig. L)

Cuando no se pueda utilizar la guía para rebordear, por ejemplo al fresar ranuras en el panel posterior de una librería para poder sostener estantes, proceda de la siguiente manera:

- ◆ Seleccione un trozo de madera con un borde recto para usar como listón.
- ◆ Coloque el listón sobre la pieza de trabajo.
- ◆ Mueva el listón hasta que se encuentre en la posición correcta para guiar la herramienta.
- ◆ Sujete firmemente el listón a la pieza de trabajo.

Uso de la guía de plantilla (fig. D)

La guía de plantilla se puede usar para hacer una forma de corte de una plantilla, por ejemplo una letra.

- ◆ Asegure la plantilla sobre la pieza de trabajo empleando cinta de doble cara o abrazaderas 'G'.
- ◆ La broca de fresado debe extenderse por debajo de la pestaña de la guía de plantilla para cortar la pieza de trabajo con la forma de la plantilla.

Uso de la pieza de separación (fig. E)

La pieza de separación se puede usar para ribetear proyecciones verticales de madera o laminados.

Uso del pasador de centrado (fig. F)

El pasador de centrado se puede usar para recortar patrones circulares.

- ◆ Haga un taladro para el punto del pasador de centrado en el centro del círculo que se va a cortar.
- ◆ Coloque la fresadora sobre la pieza de trabajo con el punto del pasador de centrado en el orificio taladrado.
- ◆ Ajuste el radio del círculo con las barras de la guía de rebordear.
- ◆ Ahora se podrá mover la fresadora sobre la pieza de trabajo para hacer el corte del círculo.

Uso del copiador (fig. G)

El copiador ayuda a mantener una distancia de corte igual a lo largo del borde de piezas de trabajo con forma irregular.

- ◆ Coloque la fresadora sobre la pieza de trabajo a la distancia deseada del borde a copiar.
- ◆ Ajuste las barras de la guía de rebordear hasta que el disco esté en contacto con la pieza de trabajo.

Encendido y apagado

Encendido

- ◆ Mantenga presionado el botón de desbloqueo (2) y pulse el interruptor de encendido/apagado.
- ◆ Suelte el botón de desbloqueo.

Apagado

- ◆ Suelte el interruptor de encendido/apagado.

¡Atención! Maneje siempre la herramienta con ambas manos.

Consejos para un uso óptimo

- ◆ Al trabajar en los bordes exteriores, mueva la herramienta en sentido contrario a las agujas del reloj (fig. M). Al trabajar en los bordes interiores, mueva la herramienta en el sentido de las agujas del reloj.
- ◆ Utilice brocas de fresado HSS para las maderas de coníferas.
- ◆ Utilice brocas de fresado TCT para las maderas nobles.
- ◆ Puede utilizar la herramienta sin guía (fig. N). Esto es útil para realizar trabajos creativos y el grabado de inscripciones. Realice únicamente cortes poco profundos.
- ◆ Consulte la siguiente tabla para conocer los tipos comunes de brocas de fresado.

Brocas de fresado (fig. O)

Descripción	Aplicación
Broca recta (1)	Muecas y ranuras
Broca de recorte de bordes (2)	Recorte de bordes en laminados o maderas nobles; perfilado preciso con uso de plantilla
Broca de corte de ranuras (3)	Realiza el corte de ranuras en piezas rectas o curvas
Broca de corte de muescas en V (4)	Realización de ranuras, grabado y biselado de bordes
Broca cilíndrica hueca (5)	Realización de acanaladuras, grabado y moldeado decorativo de rebordes
Broca de calado (6)	Moldeado decorativo de rebordes
Broca de moldeado de ojiva (7)	Moldeado decorativo de rebordes
Broca de redondeado (9)	Redondeado de rebordes
Broca de corte en cola de milano (10)	Juntas en cola de milano
Broca de corte de chaffán (11)	Cantos achaflanados

Mantenimiento

La herramienta ha sido diseñada para que funcione durante un largo periodo de tiempo con un mantenimiento mínimo. El funcionamiento satisfactorio continuado depende de un cuidado apropiado y una limpieza periódica de la herramienta.

¡Advertencia! Antes de realizar cualquier tipo de mantenimiento, apague y desenchufe la herramienta.

- ◆ Limpie periódicamente las ranuras de ventilación de la herramienta con un cepillo suave o un paño seco.
- ◆ Limpie periódicamente la carcasa del motor con un paño húmedo. No utilice ninguna sustancia limpiadora abrasiva o que contenga disolventes.

Protección del medio ambiente



Separación de desechos. Este producto no debe desecharse con la basura doméstica normal.

Si llega el momento de reemplazar su producto Black & Decker o éste ha dejado de tener utilidad para usted, no lo deseché con la basura doméstica normal. Asegúrese de que este producto se deseché por separado.



La separación de desechos de productos usados y embalajes permite que los materiales puedan reciclarse y reutilizarse. La reutilización de materiales reciclados ayuda a evitar la contaminación medioambiental y reduce la demanda de materias primas.

La normativa local puede prever la separación de desechos de productos eléctricos de uso doméstico en centros municipales de recogida de desechos o a través del distribuidor cuando adquiere un nuevo producto.

Black & Decker proporciona facilidades para la recogida y el reciclado de los productos Black & Decker que hayan llegado al final de su vida útil. Para hacer uso de este servicio, devuelva su producto a cualquier servicio técnico autorizado, que lo recogerá en nuestro nombre.

Pueden consultar la dirección de su servicio técnico más cercano poniéndose en contacto con la oficina local de Black & Decker en la dirección que se indica en este manual. Como alternativa, puede consultar en Internet la lista de servicios técnicos autorizados e información completa de nuestros servicios de posventa y contactos en la siguiente dirección: www.2helpU.com

Características técnicas

		KW900E Type 1
Voltaje	V _{AC}	230
Potencia absorbida	W	1.200
Velocidad sin carga	min ⁻¹	8.000 - 27.000
Tamaño del portaherramientas		5/16" (8 mm) / 1/4" (6,35 mm) / 6 mm
Diámetro máximo de broca de fresado	mm	30
Profundidad máxima de corte	mm	55
Peso	kg	3,6

Nivel de la presión acústica según EN 60745:

Presión acústica (L_{PA}) 95 dB(A), incertidumbre (K) 3 dB(A)
Presión acústica (L_{WA}) 106 dB(A), incertidumbre (K) 3 dB(A)

Valores totales de vibración (suma de vector triaxial) según EN 60745:

Valor de emisión de vibración (a_v) 5,77 m/s²,
incertidumbre (K) 1,5 m/s²

Declaración de conformidad CE

DIRECTIVA SOBRE MÁQUINAS



Black & Decker declara que los productos descritos en "datos técnicos" son conformes con: 2006/42/CE, EN 60745-1, EN 60745-2-11

Si desea información adicional, contacte con Black & Decker en la siguiente dirección o consulte el dorso de este manual.

El abajofirmante es responsable de la compilación del archivo técnico y hace esta declaración en nombre de Black & Decker.

Kevin Hewitt
Vice-President Global Engineering
Black & Decker Europe, 210 Bath Road, Slough,
Berkshire, SL1 3YD
Reino Unido
31/03/2010

Garantía

Black & Decker confía plenamente en la calidad de sus productos y ofrece una garantía extraordinaria. Esta declaración de garantía es una añadido, y en ningún caso un perjuicio para sus derechos estatutarios. La garantía es válida dentro de los territorios de los Estados Miembros de la Unión Europea y de los de la Zona Europea de Libre Comercio.

Si un producto Black & Decker resultará defectuoso debido a materiales o mano de obra defectuosos o a la falta de conformidad, Black & Decker garantiza, dentro de los 24 meses de la fecha de compra, la sustitución de las piezas defectuosas, la reparación de los productos sujetos a un desgaste y rotura razonables o la sustitución de tales productos para garantizar al cliente el mínimo de inconvenientes, a menos que:

- ◆ El producto haya sido utilizado con propósitos comerciales, profesionales o de alquiler;
- ◆ El producto haya sido sometido a un uso inadecuado o negligente;
- ◆ El producto haya sufrido daños causados por objetos o sustancias extrañas o accidentes;
- ◆ Se hayan realizado reparaciones por parte de personas que no sean los servicios de reparación autorizados o personal de servicios de Black & Decker.

Para reclamar en garantía, será necesario que presente la prueba de compra al vendedor o al servicio técnico de reparaciones autorizado. Pueden consultar la dirección de su servicio técnico más cercano poniéndose en contacto con la oficina local de Black & Decker en la dirección que se indica en este manual. Como alternativa, se puede consultar en Internet, en la dirección siguiente, la lista de servicios técnicos autorizados e información completa de nuestros servicios de postventa y contactos: **www.2helpU.com**

Visite nuestro sitio web **www.blackanddecker.eu** para registrar su nuevo producto Black & Decker y mantenerse al día sobre nuestros productos y ofertas especiales. Encontrará información adicional sobre la marca Black & Decker y nuestra gama de productos en **www.blackanddecker.eu**

Utilização

O seu torno Black & Decker foi projectado para tornear madeira e produtos desse mesmo material. Esta ferramenta destina-se apenas ao doméstico.

Instruções de segurança

Avisos de segurança gerais para ferramentas eléctricas



Advertência! Leia todos os avisos de segurança e instruções. O não cumprimento dos avisos e instruções a seguir pode resultar em choque eléctrico, incêndio e/ou graves lesões.

Guarde todos os avisos e instruções para futura referência. O termo "ferramenta eléctrica", utilizado nas advertências que se seguem, refere-se a ferramentas eléctricas com ligação à corrente eléctrica (com fios) ou operadas a pilha (sem fios).

1. Segurança na área de trabalho

- a. **Mantenha a sua área de trabalho limpa e bem iluminada.** Desordem ou áreas de trabalho com fraca iluminação podem causar acidentes.
- b. **Não utilize ferramentas eléctricas em áreas com risco de explosão, nas quais se encontrem líquidos, gases ou pós inflamáveis.** As ferramentas eléctricas produzem faíscas que podem provocar a ignição de pó e vapores.
- c. **Mantenha crianças e outras pessoas afastadas durante a utilização de ferramentas eléctricas.** As distrações podem dar origem a que perca o controlo da ferramenta.

2. Segurança eléctrica

- a. **A ficha da ferramenta eléctrica deve caber na tomada. A ficha não deve ser modificada de modo algum. Não utilize quaisquer fichas de adaptação com ferramentas eléctricas ligadas à terra.** Fichas inalteradas e tomadas adequadas reduzem o risco de choques eléctricos.
- b. **Evite que o corpo entre em contacto com superfícies ligadas à terra, como por exemplo tubos, radiadores, fogões e frigoríficos.** Há um risco elevado de choques eléctricos, caso o corpo seja ligado à terra.
- c. **As ferramentas eléctricas não devem ser expostas à chuva nem a humidade.** A penetração de água numa ferramenta eléctrica aumenta o risco de choques eléctricos.
- d. **Manuseie o cabo com cuidado. O cabo da ferramenta não deve ser utilizado para o transporte, para puxar a ferramenta, nem para retirar a ficha da tomada. Mantenha o cabo afastado de calor, óleo, cantos afiados ou peças em movimento.** Cabos danificados ou torcidos aumentam o risco de choques eléctricos.

- e. **Ao trabalhar com a ferramenta eléctrica ao ar livre, use um cabo de extensão apropriado para utilização no exterior.** O uso de um cabo apropriado para utilização no exterior reduz o risco de choques eléctricos.
- f. **Quando a utilização de uma ferramenta eléctrica num local húmido é inevitável, utilize uma fonte de alimentação protegida com um dispositivo de corrente residual (RCD).** A utilização de um RCD reduz o risco de choques eléctricos.

3. Segurança pessoal

- a. **Mantenha-se atento, observe o que está a fazer e seja prudente durante a utilização de uma ferramenta eléctrica. Não use a ferramenta eléctrica se estiver cansado ou sob a influência de drogas, álcool ou medicamentos.** Um momento de falta de atenção durante a utilização de ferramentas eléctricas pode causar graves lesões.
- b. **Use equipamento de protecção pessoal. Utilize sempre óculos de protecção.** A utilização de equipamento de protecção pessoal, como por exemplo, máscara de protecção contra pó, sapatos de segurança anti-derrapantes, capacete de segurança ou protecção auricular, de acordo com o tipo e aplicação da ferramenta eléctrica, reduz o risco de lesões.
- c. **Evite o accionamento involuntário. Certifique-se de que o interruptor está na posição desligada antes de ligar a ferramenta à corrente eléctrica ou a uma bateria, antes de elevar ou transportar a mesma.** O transporte de ferramentas eléctricas com o dedo no interruptor ou a ligação das mesmas à corrente eléctrica com o interruptor ligado provoca acidentes.
- d. **Retire eventuais chaves de ajuste ou chaves de fenda, antes de ligar a ferramenta eléctrica.** Uma chave de fenda ou chave de ajuste, que se encontre numa peça móvel da ferramenta, pode dar origem a lesões.
- e. **Não se incline. Mantenha-se sempre bem posicionado e em equilíbrio.** Desta forma, poderá ser mais fácil controlar a ferramenta em situações inesperadas.
- f. **Utilize vestuário adequado. Não utilize roupas largas nem jóias. Mantenha o cabelo, roupa e luvas afastados de peças em movimento.** Roupas largas, jóias ou cabelos longos podem ser ficar presos nas peças em movimento.
- g. **Se for prevista a montagem de dispositivos de extracção e recolha de pó, assegure-se de que estão ligados e que são utilizados de forma correcta.** A utilização destes dispositivos reduz os riscos provocados por pó.

4. Utilização e manutenção da ferramenta eléctrica

- a. **Não sobrecarregue a ferramenta eléctrica. Utilize a ferramenta eléctrica correcta para o trabalho que**

irá realizar. A ferramenta correcta realizará o trabalho de forma melhor e mais segura dentro da potência indicada.

- b. **Não utilize a ferramenta eléctrica se o interruptor não puder ser ligado nem desligado.** Qualquer ferramenta eléctrica que não possa ser controlada através do interruptor é perigosa e deve ser reparada.
- c. **Desligue a ficha da tomada e/ou a bateria da ferramenta eléctrica antes de efectuar quaisquer ajustes, substituir acessórios ou armazenar a ferramenta eléctrica.** Esta medida de segurança evita que a ferramenta eléctrica seja ligada acidentalmente.
- d. **Mantenha as ferramentas eléctricas que não estiverem a ser utilizadas fora do alcance de crianças. Não permita que a ferramenta seja utilizada por pessoas não familiarizadas com a mesma ou que não tenham lido estas instruções.** As ferramentas eléctricas são perigosas se utilizadas por pessoas não qualificadas.
- e. **Efectue a manutenção das ferramentas eléctricas. Verifique se as peças móveis funcionam perfeitamente e não emperram, bem como se há peças quebradas ou danificadas que possam influenciar o funcionamento da ferramenta.** Em caso de danos, solicite a reparação da ferramenta eléctrica antes da sua utilização. Muitos acidentes têm como causa uma manutenção insuficiente das ferramentas eléctricas.
- f. **Mantenha as ferramentas de corte sempre afiadas e limpas.** As ferramentas de corte, sujeitas a uma manutenção adequada e com extremidades de corte afiadas, emperram com menos frequência e podem ser controladas com maior facilidade.
- g. **Utilize a ferramenta eléctrica, os acessórios e as brocas da ferramenta etc., de acordo com estas instruções. Considere também as condições de trabalho e o trabalho a ser efectuado.** A utilização da ferramenta eléctrica para outros fins que não os previstos pode resultar em situações perigosas.

5. Reparação

- a. **A sua ferramenta eléctrica só deve ser reparada por pessoal qualificado e só devem ser colocadas peças sobressalentes originais.** Desta forma, é assegurada a segurança da ferramenta eléctrica.

Avisos de segurança adicionais para ferramentas eléctricas



Advertência! Avisos de segurança adicionais para tornos

- ◆ **Segure sempre a ferramenta pelas superfícies de pega isoladas ao efectuar trabalhos, porque a broca de tornear pode tocar no próprio cabo.** Cortar um cabo com tensão coloca as partes metálicas da ferramenta

eléctrica sob tensão, resultando em choque eléctrico.

- ◆ **Utilize grampos ou outra forma prática de fixar e apoiar a peça de trabalho numa plataforma estável.**

Segurar a peça com a mão ou contra o corpo deixa-a instável e poderá resultar em perda de controlo.

Advertência! O contacto com ou a inalação de poeiras provenientes de aplicações de torneamento pode colocar em perigo a saúde do operador e de outras pessoas. Utilize uma máscara para poeiras especificamente desenhada para protecção contra poeiras e vapores e assegure-se de que as pessoas que estão na área de trabalho ou que entrem nesta também estão protegidas.

- ◆ Remova completamente toda a poeira após tornear.
- ◆ Utilize apenas brocas de tornear com um diâmetro de parafuso igual ao tamanho da pinça de aperto instalada na ferramenta.
- ◆ Utilize apenas brocas de tornear adequadas à velocidade sem carga da ferramenta.
- ◆ Nunca utilize brocas de tornear com um diâmetro superior ao diâmetro máximo especificado na secção de especificações técnicas.
- ◆ Não utilize a ferramenta invertida.
- ◆ Não tente utilizar a ferramenta totalmente parada.
- ◆ Se o cabo de alimentação estiver danificado, deverá ser substituído pelo fabricante ou por um Centro de Assistência autorizado pela Black & Decker, de modo a evitar riscos.
- ◆ Tome cuidado especial quando tornear peças pintadas cuja tinta possa conter chumbo ou quando lixar madeiras ou metais que possam produzir poeira tóxica:
 - Não permita que crianças ou mulheres grávidas entrem na área de trabalho.
 - Não coma, beba nem fume na área de trabalho.
 - Desfaça-se das partículas de poeira e dos detritos de maneira segura.
- ◆ Esta ferramenta não se destina a ser utilizada por pessoas (incluindo crianças) com reduzidas capacidades físicas, sensoriais ou mentais ou falta de experiência e conhecimentos, a menos que tenham recebido instruções ou sejam supervisionadas relativamente à utilização do aparelho por uma pessoa responsável pela sua segurança. As crianças deverão ser vigiadas para que não mexam no aparelho.
- ◆ Neste manual indicam-se as aplicações do aparelho. O uso de qualquer acessório ou da própria ferramenta para realizar quaisquer operações além das recomendadas neste manual de instruções pode dar origem a ferimentos e/ou danos em propriedade.

Segurança de outras pessoas

- ◆ Este aparelho não se destina a ser utilizado por pessoas (incluindo crianças) com reduzidas capacidades físicas, sensoriais ou mentais ou falta de experiência e conhecimentos, a menos que tenham recebido instruções

ou sejam supervisionadas relativamente à utilização do aparelho por uma pessoa responsável pela sua segurança.

- ◆ As crianças deverão ser vigiadas para que não brinquem no aparelho.

Riscos residuais.

Podem surgir riscos residuais adicionais durante a utilização da ferramenta que poderão não constar nos avisos de segurança incluídos. Estes riscos podem resultar de má utilização, uso prolongado, etc.

Mesmo com a aplicação dos regulamentos de segurança relevantes e com a implementação de dispositivos de segurança, alguns riscos residuais não podem ser evitados. Incluem:

- ◆ ferimentos causados pelo contacto com peças em rotação/movimento.
- ◆ ferimentos causados durante a troca de peças, lâminas ou acessórios.
- ◆ ferimentos causados pela utilização prolongada de uma ferramenta. Quando utilizar uma ferramenta por períodos prolongados, faça intervalos regulares.
- ◆ diminuição da audição.
- ◆ problemas de saúde causados pela inalação de poeiras resultantes da utilização da ferramenta (exemplo: trabalhos em madeira, especialmente carvalho, faia e MDF.)

Vibração

Os valores de emissão de vibrações declarados, indicados nos dados técnicos e na declaração de conformidade, foram medidos de acordo com um método de teste padrão providenciado por EN 60745 e podem ser utilizados para efectuar a comparação entre ferramentas. O valor de emissão de vibrações declarado pode também ser utilizado numa avaliação preliminar da exposição.

Advertência! O valor de emissão de vibrações durante a utilização da ferramenta eléctrica pode divergir do valor declarado, dependendo do modo como a ferramenta é utilizada. O nível de vibrações pode aumentar relativamente ao nível indicado.

Durante a avaliação da exposição a fim de determinar as medidas de segurança requeridas pela directiva 2002/44/CE para a protecção de pessoas que utilizam regularmente ferramentas eléctricas nas respectivas profissões, o cálculo da exposição a vibrações deve considerar as condições reais de utilização e a forma como a ferramenta é utilizada, incluindo a consideração de todas as partes do ciclo de utilização como, por exemplo, as vezes que a ferramenta é desligada e o tempo em que se encontra a funcionar sem carga para além do tempo de accionamento.

Etiquetas da ferramenta

Aparecem os seguintes pictogramas na ferramenta:



Advertência! Para reduzir o risco de ferimentos, o utilizador deve ler o manual de instruções.

Segurança eléctrica



Esta ferramenta está duplamente isolada, pelo que não necessita de fio de terra. Certifique-se sempre de que o fornecimento de energia corresponde à tensão indicada na placa de identificação.

- ◆ Se o cabo de alimentação estiver danificado, deverá ser substituído pelo fabricante ou por um Centro de Assistência autorizado pela Black & Decker, de modo a evitar perigos.

Características

1. Interruptor de ligar/desligar
2. Botão de travamento
3. Botão de controlo de velocidade variável
4. Alavanca de bloqueio de inclinação
5. Botão de bloqueio do veio
6. Pinça de aperto
7. Batente de profundidade giratório
8. Deflector de limalhas
9. Barra do batente de profundidade
10. Escala de profundidade de corte
11. Adaptador de extracção de poeira

Montagem

Advertência! Antes da montagem, certifique-se de que a ferramenta está desligada da corrente eléctrica.

Colocação de uma broca de torneiar (fig. A)

- ◆ Retire o deflector de limalhas (8).
- ◆ Mantenha o botão de bloqueio do veio (5) para baixo e rode o veio até que o respectivo bloqueio engate completamente.
- ◆ Desaperte a porca da pinça de aperto (12) utilizando a chave fornecida.
- ◆ Insira o parafuso da broca de torneiar (13) na pinça de aperto (6). Certifique-se de que o parafuso deixa uma saliência de pelo menos 3 mm a partir da pinça de aperto como ilustrado.
- ◆ Mantenha o botão de bloqueio do veio (5) para baixo e aperte a porca da pinça de aperto (12) utilizando a chave fornecida.

Instalação da guia de acerto de orlas (fig. B)

A guia de acerto de orlas ajuda a guiar a ferramenta paralelamente a uma orla.

- ◆ Coloque as barras (14) na guia de acerto de orlas (15) com os dois parafusos (16) fornecidos.
- ◆ Insira as barras (14) na base do torno como ilustrado.
- ◆ Ajuste a guia de acerto de orlas para a distância desejada.
- ◆ Aperte os parafusos de fixação (17).

Instalação do adaptador de extracção de poeira (fig. C)

O adaptador de extracção de poeira permite-lhe ligar um aspirador à ferramenta.

- ◆ Ligue a mangueira (18) do aspirador ao adaptador (11).

Instalação do modelo de corte (fig. D)

- ◆ Coloque o modelo de corte (19) na base do torno, com a flange a partir da parte inferior (peça de trabalho).
- ◆ Insira os dois parafusos longos (20) a partir da parte inferior através do modelo de corte e dos orifícios da base.
- ◆ Coloque uma porca em cada um dos parafusos e aperte firmemente as porcas.

Instalação da placa de distanciamento (fig. E)

- ◆ Instale a placa de distanciamento (21) na base do torno utilizando os parafusos fornecidos.

Instalação do pino central (fig. F)

- ◆ Coloque a guia de acerto de orlas no torno como ilustrado na fig. B, mas virada para baixo.
- ◆ Instale o pino central (22) no lado da peça de trabalho da guia de acerto de orlas com o parafuso (23) fornecido.

Instalação da barra-guia (fig. G)

- ◆ Coloque a guia de acerto de orlas no torno como ilustrado na fig. B.
- ◆ Coloque a barra em 'L' (24) na parte superior da guia de acerto de orlas utilizando os dois parafusos e porcas fornecidos.
- ◆ Ajuste o acessório de rotação (25) na barra em 'L' com o botão de asas (26).

Utilização

Advertência! Deixe que a ferramenta funcione à vontade. Não o sobrecarregue.

- ◆ Guie o cabo cuidadosamente para evitar cortá-lo acidentalmente.

Ajuste da profundidade de corte (fig. H, I & J)

A profundidade de corte é a distância X entre a barra do batente de profundidade (9) e o batente de profundidade (27). A profundidade de corte pode ser definida das duas maneiras abaixo descritas.

Ajuste da profundidade de corte utilizando a escala (fig. I)

- ◆ Coloque a broca de tornear conforme descrito acima.
- ◆ Desaperte o parafuso de fixação (28).
- ◆ Puxe a alavanca de bloqueio de inclinação (4) para cima.
- ◆ Incline o torno para baixo até que a broca de tornear toque na peça de trabalho.
- ◆ Empurre a alavanca de bloqueio de inclinação (4) para baixo.
- ◆ Desloque o indicador (29) para a posição zero na escala (10).
- ◆ Adicione a profundidade de corte desejada à posição inicial.
- ◆ Mova a barra do batente de profundidade (9) até à posição calculada na escala.
- ◆ Aperte o parafuso de fixação (28).
- ◆ Utilize o botão de ajuste (30) para ajustar com maior precisão.
- ◆ Puxe a alavanca de bloqueio de inclinação (4) para cima e deixe o torno voltar à sua posição inicial.
- ◆ Depois de ligar o torno, incline-o para baixo e efectue o corte desejado.

Ajuste da profundidade de corte utilizando uma peça de madeira (fig. J)

- ◆ Coloque a broca de tornear e incline o torno conforme descrito acima.
- ◆ Puxe a barra do batente de profundidade (9) para cima.
- ◆ Coloque uma peça de madeira com uma espessura igual ao valor de profundidade de corte desejada entre o batente de profundidade (27) e a barra do batente de profundidade (9).
- ◆ Aperte o parafuso de fixação (28).
- ◆ Utilize o botão de ajuste (30) para ajustar com maior precisão.
- ◆ Remova a peça de madeira.
- ◆ Puxe a alavanca de bloqueio de inclinação (4) para cima e deixe o torno voltar à sua posição inicial.
- ◆ Depois de ligar o torno, incline-o para baixo e efectue o corte desejado.

Ajuste do batente de profundidade giratório (fig. K)

Depois de rodar o batente de profundidade giratório para a posição desejada, pode ajustar com maior precisão o batente de profundidade a ser utilizado. Se desejar efectuar vários cortes com uma profundidade de corte diferente, ajuste cada um dos batentes de profundidade.

- ◆ Vire o parafuso do batente de profundidade (31) para cima ou para baixo como necessário utilizando uma chave de parafusos.

Regulação da velocidade

- ◆ Ajuste o botão de controlo de velocidade (3) conforme o desejado. Utilize uma velocidade alta para brocas de tornear com diâmetro pequeno. Utilize uma velocidade baixa para brocas de tornear com diâmetro grande.

Utilização de uma ripa de madeira como uma guia (fig. L)

Sempre que não for possível utilizar uma guia de acerto de orlas, por exemplo, quando tornear ranhuras no painel traseiro de uma estante para suportar prateleiras, proceda da seguinte maneira:

- ◆ Selecione uma peça de madeira com um ângulo recto para utilizar como ripa.
- ◆ Coloque a ripa na peça de trabalho.
- ◆ Mova a ripa até que esteja na posição correcta para guiar a ferramenta.
- ◆ Fixe firmemente a ripa à peça de trabalho com um grampo.

Utilização do modelo de corte (fig. D)

O modelo de corte pode ser utilizado para fazer uma forma de corte a partir de um modelo, por exemplo uma letra.

- ◆ Coloque o modelo por cima da peça de trabalho com uma fita de face dupla ou os grampos 'G'.
- ◆ A broca de tornear deve estar estendida por baixo da flange do modelo de corte para cortar a peça de trabalho de acordo com a forma do modelo.

Utilização da placa de distanciamento (fig. E)

A placa de distanciamento pode ser utilizada para cortar projecções verticais de madeira ou de laminados.

Utilização do pino central (fig. F)

O pino central pode ser utilizado para cortar modelos circulares.

- ◆ Faça um furo no centro para colocar a ponta do pino central e fazer o corte em círculo.
- ◆ Coloque o torno na peça de trabalho com a ponta do pino central no furo.
- ◆ Ajuste o raio do círculo com as barras da guia de acerto de orlas.
- ◆ O torno pode agora ser movido ao longo da peça de trabalho para cortar em círculo.

Utilização da barra-guia (fig. G)

A barra-guia ajuda a manter uma distância de corte uniforme ao longo da orla em peças de trabalho irregulares.

- ◆ Coloque o torno na peça de trabalho à distância desejada da orla a ser copiada.
- ◆ Ajuste as barras na guia de acerto de orlas até que o disco toque na peça de trabalho.

Como ligar e desligar a ferramenta

Activação

- ◆ Mantenha o botão de travamento (2) para baixo e prima o interruptor de ligar/desligar (1).
- ◆ Solte o botão de travamento.

Desactivação

- ◆ Solte o interruptor de ligar/desligar.

Advertência! Segure sempre a ferramenta com ambas as mãos.

Sugestões para uma melhor utilização

- ◆ Sempre que trabalhar em orlas externas, mova a ferramenta para a esquerda (fig. M). Sempre que trabalhar em orlas internas, mova a ferramenta para a direita.
- ◆ Utilize brocas de tornear HSS para madeira mole.
- ◆ Utilize brocas de tornear TCT para madeira dura.
- ◆ Pode utilizar a ferramenta sem uma guia (fig. N). Isto é útil para trabalhos de marcação de símbolos e criativos. Efectue apenas cortes superficiais.
- ◆ Consulte a tabela abaixo para obter os tipos mais comuns de brocas de tornear.

Brocas de tornear (fig. O)

Descrição	Aplicação
Broca lisa (1)	Ranhuras e entalhes
Broca de corte (2)	Corte de madeira laminada ou dura; delineamento preciso utilizando um modelo
Broca de entalhes (3)	Realização de entalhes em peças lisas ou curvadas
Broca com ranhuras em V (4)	Realização de ranhuras, gravações e arredondamento de orlas
Broca de núcleos (5)	Estria, grava e molda orlas decorativas
Broca estreita (6)	Moldagem de orlas decorativas
Broca de moldagem em S (7)	Moldagem de orlas decorativas
Broca redonda (9)	Arredonda orlas
Broca de encaixe (10)	Encaixa junções
Broca estriada (11)	Estria orlas

Manutenção

Esta ferramenta foi desenvolvida para funcionar por um longo período de tempo, com o mínimo de manutenção.

O funcionamento contínuo e satisfatório depende de limpeza regular e de manutenção adequada.

Advertência! Antes de qualquer procedimento de manutenção, desligue a ferramenta no interruptor e retire a tomada da corrente.

- ◆ Limpe regularmente as fendas de ventilação da ferramenta utilizando uma escova suave ou um pano seco.
- ◆ Limpe regularmente o compartimento do motor utilizando um pano húmido. Não utilize nenhum detergente abrasivo nem à base de solvente.

Protecção do meio ambiente



Recolha em separado. Não deve deitar este produto fora juntamente com o lixo doméstico normal.

Caso chegue o momento em que um dos seus produtos Black & Decker precise de ser substituído ou decida desfazer-se do mesmo, não o deite fora juntamente com o lixo doméstico. Torne este produto disponível para uma recolha em separado.



A recolha em separado de produtos e embalagens utilizados permite que os materiais sejam reciclados e reutilizados. A reutilização de materiais reciclados ajuda a evitar a poluição ambiental e a reduzir a procura de matérias-primas.

Os regulamentos locais poderão providenciar a recolha em separado de produtos eléctricos junto das casas, em lixeiras municipais ou junto dos fornecedores ao adquirir um novo produto.

A Black & Decker oferece um serviço de recolha e reciclagem de produtos Black & Decker que tenha atingido o fim das suas vidas úteis. Para tirar proveito deste serviço, devolva seu produto a qualquer agente de reparação autorizado, que se encarregará de recolher o equipamento em nosso nome.

Para verificar a localização do agente de reparação mais próximo de si, contacte o escritório local da Black & Decker no endereço indicado neste manual. Se preferir, consulte a lista de agentes autorizados da Black & Decker e os dados completos dos nossos serviços de atendimento pós-venda na Internet no endereço: www.2helpU.com

Dados técnicos

	KW900E Type 1	
Voltagem	V _{AC}	230
Potência	W	1.200
Velocidade sem carga	min ⁻¹	8.000 - 27.000
Tamanho da pinça de aperto		5/16" (8 mm) / 1/4" (6,35 mm) / 6 mm
Diâmetro máximo da broca de torear	mm	30
Profundidade máx. de corte	mm	55
Peso	kg	3,6

Nível de pressão de ruído segundo a EN 60745:

Pressão acústica (L_{pA}) 95 dB(A), imprecisão (K) 3 dB(A)
Potência acústica (L_{WA}) 106 dB(A), imprecisão (K) 3 dB(A)

Valores totais de vibração (soma vectorial triaxial) segundo a EN 60745:

Valor de emissão de vibrações (a_h) 5,77 m/s²,
imprecisão (K) 1,5 m/s²

Declaração de conformidade CE

DIRECTIVA MÁQUINAS



A Black & Decker declara que os produtos descritos na secção "dados técnicos" se encontram em conformidade com: 2006/42/CE, EN 60745-1, EN 60745-2-11

Para obter mais informações, queira contactar a Black & Decker através do endereço que se segue ou indicado no verso do manual.

O signatário é responsável pela compilação do ficheiro técnico e apresenta esta declaração em nome da Black & Decker.

Kevin Hewitt

Vice-presidente do Departamento de Engenharia Global
Black & Decker Europe, 210 Bath Road, Slough,

Berkshire, SL1 3YD

Reino Unido

31/03/2010

Garantia

A Black & Decker confia na qualidade de seus produtos e oferece um programa de garantia excelente. Esta declaração de garantia soma-se aos seus direitos legais e não os prejudica em nenhum aspecto. A garantia será válida nos territórios dos Estados Membros da União Europeia e na Área de Livre Comércio da Europa.

Caso algum produto da Black & Decker apresente avarias devido a defeitos de material, mão-de-obra ou ausência de conformidade no prazo de 24 meses a partir da data de compra, a Black & Decker garantirá a substituição das peças defeituosas, a reparação dos produtos que foram submetidos a uso adequado e remoção ou substituição dos mesmos para assegurar o mínimo de inconvenientes ao cliente a menos que:

- ◆ O produto tenha sido utilizado para fins comerciais, profissionais ou aluguer;
- ◆ O produto tenha sido submetido a uso incorrecto ou descuido;
- ◆ O produto tenha sofrido danos causados por objectos estranhos, substâncias ou acidentes;
- ◆ Tenha um histórico de reparações efectuadas por terceiros que não sejam os agentes autorizados ou profissionais de manutenção da Black & Decker.

Para activar a garantia, será necessário enviar a prova de compra ao revendedor ou agente de reparação autorizado.

Para verificar a localização do agente de reparação mais próximo de si contacte o escritório local da Black & Decker no endereço indicado neste manual. Se preferir, consulte a lista de agentes autorizados da Black & Decker e os dados completos de nossos serviços de atendimento pós-venda na Internet no endereço: **www.2helpU.com**

Visite o nosso website **www.blackanddecker.eu** para registar o seu novo produto Black & Decker e para se manter actualizado sobre novos produtos e ofertas especiais.

Estão disponíveis mais informações sobre a Black & Decker e sobre a nossa gama de produtos em

www.blackanddecker.eu

Användningsområde

Din Black & Decker handöverfräs är utformad för bearbetning av trä och träprodukter. Verktyget är endast avsett som konsumentverktyg.

Säkerhetsregler

Allmänna säkerhetsvarningar för motordrivna verktyg



Varning! Läs alla säkerhetsvarningar och alla anvisningar. Fel som uppstår till följd av att varningarna och anvisningarna nedan inte följts kan orsaka elchock, brand och/eller allvarliga kroppsskador.

Spara alla varningar och anvisningar för framtida referens.

Nedan använt begrepp lverktyg hänför sig till nätdrivna elverktyg (med nätsladd) och till batteridrivna elverktyg (sladdlösa).

1. Säkerhet för arbetsområdet

- Håll arbetsplatsen ren och välbelyst.** Oordning på arbetsplatsen och dåligt belyst arbetsområde kan leda till olyckor.
- Använd inte elverktyget i explosionsfarlig omgivning med brännbara vätskor, gaser eller damm.** Elverktygen alstrar gnistor som kan antända dammet eller gaserna.
- Håll under arbetet med elverktyget barn och obehöriga personer på betryggande avstånd.** Om du störs av obehöriga personer kan du förlora kontrollen över elverktyget.

2. Elsäkerhet

- Elverktygets stickkontakt måste passa i vägguttaget. Ändra aldrig stickkontakten på något sätt. Använd inte adapterkontakter tillsammans med skyddsjordade elverktyg.** Oförändrade stickkontakter och passande vägguttag minskar risken för elchock.
- Undvik kroppskontakt med jordade ytor som t.ex. rör, värmeelement, spisar och kylskåp.** Det finns en större risk för elchock om din kropp är jordad.
- Skydda elverktyget mot regn och väta.** Tränger vatten in i ett elverktyg ökar risken för elchock.
- Misshandla inte nätsladden. Använd inte sladden för att bära eller hänga upp elverktyget och inte heller för att dra stickproppen ur vägguttaget. Håll nätsladden på avstånd från värme, olja, skarpa kanter och rörliga maskindelar.** Skadade eller tilltrasslade sladdar ökar risken för elchock.
- Använd endast förlängningssladdar som är godkända för utomhusbruk när du arbetar med ett elverktyg utomhus.** Om en förlängningssladd avsedd för utomhusbruk används minskar risken för elchock.
- Om man måste använda ett elverktyg på en fuktig plats bör man använda ett uttag som skyddats med en**

restströmsanordning (RCD). Vid användning av en restströmsanordning (RCD) minskar risken för elektriska stötar.

3. Personlig säkerhet

- Var uppmärksam, se på vad du gör och använd elverktyget med förnuft. Använd inte elverktyget när du är trött eller om du är påverkad av droger, alkohol eller mediciner.** Under användning av elverktyg kan ett ögonblicks bristande uppmärksamhet leda till allvarliga kroppsskador.
 - Använd personlig skyddsutrustning. Bär alltid skyddsglasögon.** Den personliga skyddsutrustningen, som t.ex. dammfiltermask, halkfria skyddsskor, hjälm eller hörselskydd, som bör användas under de gällande omständigheterna minskar risken för kroppsskada.
 - Undvik att verktyget startas av misstag. Kontrollera att strömställaren står i läge från innan du ansluter till vägguttaget och/eller batteripaketet, lyfter upp eller bär verktyget.** Det kan vara mycket farligt att bära ett elverktyg med fingret på strömbrytaren eller koppla det till nätet med strömbrytaren på.
 - Ta bort alla inställningsverktyg och skruvnycklar innan du startar elverktyget.** Ett verktyg eller en nyckel i en roterande komponent kan medföra kroppsskada.
 - Sträck dig inte för långt. Se till att du alltid har säkert fotfäste och balans.** På så sätt kan du lättare kontrollera elverktyget i oväntade situationer.
 - Bär lämplig klädsel. Bär inte löst hängande kläder eller smycken. Håll hår, kläder och handskar undan från rörliga delar.** Löst hängande kläder, smycken och långt hår kan dras in av roterande delar.
 - Om elverktyget är utrustat med dammsugnings- och uppsamlingsutrustning, kontrollera att dessa anordningar är rätt monterade och att de används på korrekt sätt.** Dammuppsamling minskar riskerna för dammrelaterade olyckor.
- #### 4. Bruk och skötsel av elverktyg
- Överbelasta inte elverktyget. Använd rätt elverktyg för det aktuella arbetet.** Med ett lämpligt elverktyg kan du arbeta bättre och säkrare inom angivet effektområde.
 - Ett elverktyg med defekt strömbrytare får inte användas.** Ett elverktyg som inte kan kopplas till eller från är farligt och måste repareras.
 - Dra ut stickkontakten ur vägguttaget och/eller batteripaketet ur det motordrivna verktyget innan inställningar utförs, tillbehörsdelar byts ut eller det motordrivna verktyget ställs undan.** Denna skyddsåtgärd förhindrar oavsiktlig inkoppling av elverktyget.
 - Förvara elverktygen oåtkomliga för barn. Låt inte elverktyget användas av personer som inte är förtrogna med dess användning eller inte läst denna anvisning.**

- Elverktyg är farliga om de används av oerfarna personer.
- e. **Sköt elverktyget omsorgsfullt. Kontrollera att rörliga komponenter fungerar felfritt och inte kärvar, att komponenter inte brustit eller skadats och inget annat föreligger som kan påverka elverktygets funktioner. Låt skadade delar repareras innan elverktyget används på nytt.** Många olyckor orsakas av dåligt skötta elverktyg.
- f. **Håll skärverktyg skarpa och rena.** Omsorgsfullt skötta skärverktyg med skarpa eggar fastnar inte så lätt och går lättare att styra.
- g. **Använd det motordrivna verktyget, tillbehör och insatsverktyg etc. enligt dessa anvisningar. Ta hänsyn till arbetsvillkoren och arbetsmomenten.** Används elverktyget på icke ändamålsenligt sätt kan farliga situationer uppstå.
5. **Service**
- a. **Låt endast elverktyget repareras av kvalificerad fackpersonal och med originalreservdelar.**
 Detta garanterar att elverktygets säkerhet bibehålls.

Extra säkerhetsvarningar för motordrivna verktyg



Varning! Extra säkerhetsvarningar för handöverfräsar

- ◆ **Håll elverktyget endast vid de isolerade handtagen, eftersom handöverfräsen kan skada sin egen nätsladd.** Skärning en spänningsförande ledning sätts verktygets metalldelar under spänning vilket kan leda till elektriska stötar.
 - ◆ **Använd klämmor eller något annat praktiskt sätt för att fästa och stödja arbetsstycket på ett stabilt underlag.** Om man håller arbetsstycket med handen eller mot kroppen blir det instabilt och man kan riskera att förlora kontrollen över det.
- Varning!** Kontakt med, eller inandning av, damm som uppstår vid fräsning kan vara hälsovådligt för användaren och eventuella kringstående. Använd en specialkonstruerad ansiktsmask som skyddar mot damm eller ångor, samt se till att personer som vistas på, eller kommer i närheten av arbetsplatsen också är skyddade.

- ◆ Var noga med att ta bort allt fräsdamm när fräsningen har avslutats.
- ◆ Använd enbart frässtål med en skaftdiameter motsvarande verktygets spännhylsa.
- ◆ Använd bara frässtål som passar för obelastad hastighet på verktyget.
- ◆ Använd aldrig frässtål med en diameter större än den max. diameter som specificerats i tekniska data.
- ◆ Använd inte verktyget upp- och nervänt.
- ◆ Försök inte använda verktyget i stationärt läge.

- ◆ Om nätsladden är skadad måste den bytas ut av tillverkaren eller en godkänd Black & Decker-serviceverkstad för att undvika en risksituation.
- ◆ Var speciellt försiktig när du fräser bort färg som eventuellt innehåller bly eller vid fräsning av trä- och metallmaterial som kan avge giftigt damm.
 - Låt aldrig barn eller gravida kvinnor vistas på arbetsplatsen.
 - Åt, drick eller rök inte på arbetsplatsen.
 - Släng damm och annat avfall på miljösäker plats.
- ◆ Verktyget är inte avsett att användas av personer (inklusive barn) med försvagade fysiska, sensoriska eller mentala förmågor, eller som saknar erfarenhet och kunskaper, om de inte får övervakning eller undervisning i användning av apparaten av någon som ansvarar för deras säkerhet. Håll uppsyn så att inga barn leker med apparaten.
- ◆ Verktygets avsedda bruk beskrivs i denna bruksanvisning. Bruk av tillbehör eller tillsatser, eller utförande av någon verksamhet med detta verktyg, som inte rekommenderas i denna bruksanvisning kan innebära risk för personskada och/eller skada på egendom.

Andra personers säkerhet

- ◆ Apparaten är inte avsedd att användas av personer (inklusive barn) med försvagade fysiska, sensoriska eller mentala förmågor, eller som saknar erfarenhet och kunskaper, om de inte får övervakning eller undervisning i användning av apparaten av någon som ansvarar för deras säkerhet.
- ◆ Håll uppsyn så att inga barn leker med apparaten.

Övriga risker.

Ytterligare risker som inte finns med i de bifogade säkerhetsföreskrifterna kan uppstå när verktyget används. Dessa risker kan uppstå vid felaktig eller långvarig användning, etc.

Även om alla relevanta säkerhetsföreskrifter följs och säkerhetsanordningar används kan vissa ytterligare risker inte undvikas. Dessa innefattar:

- ◆ **Skador orsakade av att roterande/rörliga delar vidrörs.**
- ◆ **Skador som uppstår vid byte av delar, blad eller tillbehör.**
- ◆ **Skador som orsakas av långvarig användning av ett verktyg. Se till att ta regelbundna raster när du använder ett verktyg under en längre period.**
- ◆ **Skador på hörseln.**
- ◆ **Hälssofaror orsakade av inandning av damm när verktyget används (exempel: arbete med trä, särskilt ek, bok och MDF.)**

Skakas

De angivna vibrationsemissionsvärdena i tekniska data / försäkran om överensstämmelse har uppmätts enligt en standardtestmetod som tillhandahålls av EN 60745 och kan användas för att jämföra olika verktyg med varandra.

De angivna vibrationsemissionsvärdena kan även användas för en preliminär beräkning av exponering.

Varning! Vibrationsemissionsvärdet under faktisk användning av elverktyget kan skilja sig från det angivna värdet beroende på hur verktyget används. Vibrationsnivån kan överstiga den angivna nivån.

Vid beräkning av vibrationsexponering för att bestämma säkerhetsåtgärder enligt 2002/44/EG för att skydda personer som regelbundet använder elverktyg i arbetet, bör en beräkning av vibrationsexponeringen ta med i beräkningen de faktiska användningsförhållandena och sättet verktyget används, inkluderande att man tar med i beräkningen alla delar av användningscykeln, förutom själva "avtryckartiden" även t.ex. när verktyget är avstängt och när det går på tomgång.

Märken på verktyget

Följande symboler finns på verktyget:



Varning! För att minska risken för skador måste användaren läsa igenom bruksanvisningen.

Elsäkerhet



Eftersom verktyget är dubbelisolerat behövs ingen jordledare. Kontrollera alltid att nätspänningen överensstämmer med värdet på märkplåten.

- ◆ Om nätsladden är skadad måste den bytas ut av tillverkaren eller en godkänd Black & Deckerserviceverkstad för att undvika en risksituation.

Detaljbeskrivning

1. Strömbrytare
2. Låsknapp
3. Ratt för variabel hastighet
4. Låsspak för nersänkning
5. Knapp för spindellås
6. Spännhylsa
7. Revolverdjupanslag
8. Spånledare
9. Djupanslagsskena
10. Snittdjupskala
11. Dammsugaradapter

Montering

Varning! Se till att verktyget är avstängt samt att det inte är anslutet innan monteringen börjar.

Montering av fräskår (fig. A)

- ◆ Avlägsna spånledaren (8).
- ◆ Håll spindellåsens knapp (5) intryckt och vrid spindeln tills låset griper och låser fast helt.
- ◆ Lossa spännmuttern (12) med hjälp av den medföljande nyckeln.
- ◆ Sätt skaflet på skåret (13) i spännhylsan (6). Se till att skaflet sticker ut minst 3 mm. från spännhylsan som bilden visar.
- ◆ Håll spindellåsens knapp (5) intryckt och dra åt spännmuttern (12) med den medföljande nyckeln.

Montering av styrskenan (fig. B)

Styrskenan hjälper till med att styra verktyget parallellt med kanten.

- ◆ Sätt fast handtagen (14) på kantstyrningen (15) med hjälp av de två skruvarna (16) som medföljer.
- ◆ Sätt in skenorna (14) i fräsens bas som bilden visar.
- ◆ Ställ in styrskenan på önskat avstånd.
- ◆ Dra åt fixeringsskruvarna (17).

Montera dammsugaradaptern (fig. C)

Med adaptern kan du ansluta en dammsugare till verktyget.

- ◆ Anslut dammsugarens slang (18) till adaptern (11).

Placering av mallskenan (fig. D)

- ◆ Montera mallskenan (19) på basdelen på fräsen, med flänsen neråt mot arbetsstycket.
- ◆ Sätt i de två långa skruvarna (20) underifrån genom mallskenan och hålen i basdelen.
- ◆ Sätt en mutter på varje skruv och dra åt muttrarna ordentligt.

Montera distansstycket (fig. E)

- ◆ Montera distansstycket (21) på fräsens basdel med de medföljande skruvarna.

Montera centreringstiftet (fig. F)

- ◆ Montera styrskenan på fräsen som framgår av fig. B, men upp och ner.
- ◆ Sätt fast centreringstiftet (22) i den sida av styrskenan som är mot arbetsstycket med den medföljande skruven (23).

Montera kopierverktyget (fig. G)

- ◆ Montera styrskenan på fräsen som framgår av fig. B.
- ◆ Montera 'L'-staven (24) på styrskenans ovansida med de två medföljande skruvarna och muttrarna.
- ◆ Justera det roterande tillbehöret (25) på 'L'-staven med den medföljande vingskruven (26).

Användning

Varning! Överbelasta inte maskinen, låt den arbeta i sin egen takt.

- ◆ Var noga med hur du leder sladden så att du inte råkar skära i den.

Inställning av fräsdjupet (fig. H, I & J)

Fräsdjupet utgörs av avståndet X mellan djupanslagsskenan (9) och djupanslaget (27). Man kan ställa in fräsdjupet på två olika sätt som beskrivs nedan.

Justera fräsdjupet med hjälp av skalan (fig. I)

- ◆ Montera frässtålet enligt ovanstående beskrivning.
- ◆ Lossa låsskruven (28).
- ◆ Dra djuplåsspaken (4) uppåt.
- ◆ Sänk fräsen tills frässtålet vidrör arbetsstycket.
- ◆ Tryck ner djuplåsspaken (4).
- ◆ Flytta visaren (29) till nollläget på skalan (10).
- ◆ Lägg till det önskade fräsdjupet till utgångsläget.
- ◆ Flytta djupanslagsskenan (9) till den beräknade punkten på skalan.
- ◆ Dra åt låsskruven (28).
- ◆ Finjustera med ställknappen (30).
- ◆ Dra djuplåsspaken (4) uppåt och låt fräsen återgå till ursprungsläget.
- ◆ Sätt igång handöverfräsen och sänk den och gör fräsningen som du vill.

Justera fräsdjupet med hjälp av en träbit (fig. J)

- ◆ Montera frässtålet och djuplåsspaken enligt ovanstående beskrivning.
- ◆ Dra djupanslagsskenan (9) uppåt.
- ◆ Lägg in en träbit med en tjocklek motsvarande det önskade fräsdjupet mellan djupanslaget (27) och djupanslagsskenan (9).
- ◆ Dra åt låsskruven (28).
- ◆ Finjustera med ställknappen (30).
- ◆ Ta bort träbiten.
- ◆ Dra djuplåsspaken (4) uppåt och låt fräsen återgå till ursprungsläget.
- ◆ Sätt igång handöverfräsen och sänk den och gör fräsningen som du vill.

Justera revolverdjupanslaget (fig. K)

När man har vridit revolverdjupanslaget till rätt inställning, kan man finjustera det djupanslag som skall tillämpas. Om du vill göra flera fräsningar med olika fräsdjup, skall du justera varje djupanslag.

- ◆ Använd en skruvmejsel till att skruva djupanslagsskruven (31) upp eller ner, efter behov.

Inställning av hastigheten

- ◆ Ställ kontrollknappen (3) på önskad hastighet.
- ◆ Använd höga hastigheter för frässtål med liten diameter.
- ◆ Använd låga hastigheter för frässtål med stor diameter.

Använd en bit av en ribba eller regel för styrning (fig. L)

När det inte går att använda en kantstyrskena (t.ex. när man fräser uttag för hyllor inne i en bokhylla) kan man göra på följande sätt.

- ◆ Välj ut en träbit med rak kant, t.ex. en ribba eller regel.
- ◆ Lägg ribban eller regeln etc. på arbetsstycket.
- ◆ Flytta klossen tills den ligger precis rätt för att kunna styra verktyget.
- ◆ Spänn fast klossen ordentligt på arbetsstycket.

Användning av mallskenan (fig. D)

Mallskenan kan användas för att göra en utskuren form efter en mall, t.ex. en bokstav.

- ◆ Fäst mallen på arbetsstycket med dubbelsidig tejp eller G-formade skruvklämmor.
- ◆ Frässtålet skall nå djupare under flänsen för att kunna skära i arbetsstycket enligt mallen.

Användning av distansstycket (fig. E)

Distansstycket kan användas för trimning av utskjutande delar av trä eller laminat.

Användning av centreringsstålet (fig. F)

Centrerstålet kan användas för att fräsa ut cirkelmönster.

- ◆ Borra ett hål mitt i cirkeln för spetsen på centrerstålet.
- ◆ Sätt fräsen på arbetsstycket med centreringsstålets spets i borrhålet.
- ◆ Justera cirkelradien med stavarna på styrskenan.
- ◆ Nu kan man flytta fräsen över arbetsstycket så att den fräser ut cirkeln.

Använda kopierverktyget (fig. G)

Kopierverktyget hjälper till med att hålla rätt fräsavstånd utmed kanten på oregelbundet formade arbetsstycken.

- ◆ Sätt an fräsen på arbetsstycket på rätt avstånd från den kant som skall kopieras.
- ◆ Justera stavarna på kantskenan tills hjulet har kontakt med arbetsstycket.

Start och stopp

Start

- ◆ Håll spärknappen (2) intryckt och tryck på strömbrytaren (1).
- ◆ Släpp spärknappen.

Avstängning

- ◆ Släpp strömbrytaren.

Varning! Håll alltid verktyget med båda händerna.

Råd för bästa resultat

- ◆ Förflytta verktyget moturs, när du arbetar på ytterkanter (fig. M). Förflytta verktyget medurs när du arbetar på innerkanter.
- ◆ Använd HSS frässtål för barrträdsvirke.
- ◆ Använd TCT frässtål för lövträdsvirke.
- ◆ Man kan använda verktyget utan styrskena etc. (fig. N)
Det går att använda när man skriver tecken eller gör fria mönster. Fräs bara ytligt.
- ◆ Se tabellen nedan om vanliga typer av frässtål.

Frässtål (fig. O)

Beskrivning	Användning
Rak fräs (1)	Noter, spår och falsar
Trimfräs (2)	Trimning av laminat eller lövträdsvirke, precisa profiler med hjälp av mall
Falsfräs (3)	Falsar på raka eller böjda arbetsstycken
Fräs för V-spår (4)	Spår och rännor, gravyr och kantfasning
Hålkälsfräs (5)	Vågmönster, gravering och kantdekorationer
Profilfräs (6)	Kantdekorationer
Profilfräs (7)	Kantdekorationer
Avrundningsfräs (9)	Rundar av kanter
Vinkelfräs (10)	Laxstjärtsfog
Fasfräs (11)	Fasar kanter

Skötsel

Ditt verktyg har tillverkats för att fungera under lång tid med ett minimum av underhåll. Med rätt underhåll och regelbunden rengöring behåller verktyget sin prestanda.

Varning! Stäng av verktyget och dra ut sladden innan du påbörjar underhåll och skötsel.

- ◆ Rengör regelbundet verktygets luftintag med en mjuk borste eller torr trasa.
- ◆ Rengör kåpan regelbundet med en fuktig trasa. Använd aldrig rengöringsmedel med lösnings- eller slipmedel.

Miljöskydd

Särskild insamling. Denna produkt får inte kastas bland vanliga hushållssopor.

Om du någon gång i framtiden behöver ersätta din Black & Decker-produkt med en ny, eller inte längre behöver den, ska du inte kasta den i hushållssoporna. Denna produkt skall lämnas till särskild insamling.



Efter insamling av använda produkter och förpackningsmaterial kan materialen återvinnas och användas på nytt. Användning av återvunna material skonar miljön och minskar förbrukningen av råvaror.

Enligt lokal lagstiftning kan det förekomma särskilda insamlingar av uttjänt elutrustning från hushåll, antingen vid kommunala miljöstationer eller hos detaljhandlaren när du köper en ny produkt.

Black & Decker erbjuder en insamlings- och återvinningstjänst för Black & Decker-produkter när de en gång har tjänat ut. För att använda den här tjänsten lämnar du in produkten till en auktoriserad B & D -reparatör/representant som tar hand om den för din räkning.

Närmaste auktoriserad Black & Decker-representant finner du genom det lokala Black & Decker-kontoret på adressen i den här manualen. Annars kan du söka på Internet, på listan över auktoriserade Black & Decker-representanter och alla uppgifter om vår kundservice och andra kontakter.

www.2helpU.com

Tekniska data

	KW900E Type 1	
Spänning	V_{AC}	230
Ineffekt	W	1.200
Obelastad hastighet	min^{-1}	8.000 - 27.000
Spännhylsa		5/16" (8 mm) / 1/4" (6,35 mm) / 6 mm
Max. diameter för frässtål	mm	30
Max. snittdjup	mm	55
Vikt	kg	3,6

Bullernivå, uppmätt enligt EN 60745:

Bullernivå (L_{pA}) 95 dB(A), avvikelse (K) 3 dB(A)

Ljudeffekt (L_{WA}) 106 dB(A), avvikelse (K) 3 dB(A)

Vibrationens totala värde (treaxelvektorsumma) bestämd enligt EN 60745:

Vibrationsemissionsvärde (a_h) 5,77 m/s^2 , avvikelse (K) 1,5 m/s^2

EC-förklaring om överensstämmelse

MASKINDIREKTIVET



KW900E

Black & Decker deklarerar att dessa produkter, beskrivna under "tekniska data", är tillverkade i överensstämmelse med: 2006/42/EG, EN 60745-1, EN 60745-2-11

För mer information, vänligen kontakta Black & Decker på följande adress eller den som anges på handbokens baksida.

Undertecknad är ansvarig för sammanställningen av den tekniska filen och gör denna försäkran som representant för Black & Decker.

Kevin Hewitt
Vice-President Global Engineering
Black & Decker Europe, 210 Bath Road, Slough,
Berkshire, SL1 3YD
Storbritannien
31/03/2010

Reservdelar / reparationer

Reservdelar finns att köpa hos auktoriserade Black & Decker verkstäder, som även ger kostnadsförslag och reparerar våra produkter.

Förteckning över våra auktoriserade verkstäder finns på Internet, vår hemsida www.blackanddecker.se samt www.2helpU.com

Garanti

Black & Decker garanterar att produkten är fri från material- och/eller fabriktionsfel vid leverans till kund. Garantin är i tillägg till konsumentens lagliga rättigheter och påverkar inte dessa. Garantin gäller inom medlemsstaterna i Europeiska Unionen och i det Europeiska Frihandelsområdet.

Om en Black & Decker produkt går sönder på grund av material- och/eller fabriktionsfel eller brister i överensstämmelse med specifikationen, inom 24 månader från köpet, åtar sig Black & Decker att reparera eller byta ut produkten med minsta besvär för kunden.

Garantin gäller inte för fel som beror på:

- ◆ normalt slitage
- ◆ felaktig användning eller skötsel
- ◆ att produkten skadats av främmande föremål, ämnen eller genom olyckshändelse

Garantin gäller inte om reparation har utförts av någon annan än en auktoriserad Black & Decker verkstad.

För att utnyttja garantin skall produkten och inköpskvittot lämnas till återförsäljaren eller till en auktoriserad verkstad senast 2 månader efter det att felet har upptäckts.

För information om närmaste auktoriserad verkstad; kontakta det lokala Black & Decker kontoret på den adress som är angiven i bruksanvisningen. En lista på alla auktoriserade verkstäder samt servicevillkor finns även tillgängligt på Internet, adress: www.2helpU.com

Besök vår webbplats www.blackanddecker.se för att registrera din nya Black & Decker-produkt samt för att erhålla information om nya produkter och specialerbjudanden. Vidare information om märket Black & Decker och vårt produktsortiment kan återfinnas på www.blackanddecker.se

Bruksområder

Din Black & Decker overfres er utformet for freising av treverk og treprodukter. Verktøyet er tiltenkt kun som konsumentverktøy.

Sikkerhetsinstruksjoner

Generelle sikkerhetsadvarsler for elektroverktøy



Advarsel! Les alle sikkerhetsadvarsler og alle instruksjoner. Hvis advarsler og instruksjoner ikke følges, kan det medføre elektrisk støt, brann og/eller alvorlige skader.

Ta vare på alle advarsler og instruksjoner for fremtidige oppslag. Uttrykket «elektroverktøy» i alle advarslene nedenfor gjelder for strømdrevne elektroverktøy (med ledning) og batteridrevne elektroverktøy (uten ledning).

1. Sikkerhet i arbeidsområdet

- Hold arbeidsområdet rent og godt opplyst.** Rotete arbeidsområder med dårlig belysning kan føre til ulykker.
- Ikke arbeid med elektroverktøy i eksplosjonsfarlige omgivelser hvor det finnes brennbare væsker, gass eller støv.** Elektroverktøy forårsaker gnister som kan antenne støv eller røyk.
- Hold barn og andre personer unna når elektroverktøyet brukes.** Hvis du blir forstyrret under arbeidet, kan du miste kontrollen.

2. Elektrisk sikkerhet

- Støpselet til elektroverktøyet må passe inn i stikkkontakten. Støpselet må ikke forandres på noen som helst måte. Ikke bruk adapterstøpsler sammen med jordete elektroverktøy.** Bruk av originale støpsler og passende stikkontakter reduserer risikoen for elektrisk støt.
- Unngå kroppskontakt med jordete overflater som rør, radiatorer, komfyrer og kjøleskap.** Det er større fare for elektrisk støt hvis kroppen din er jordat.
- Utsett ikke elektroverktøy for regn eller fuktighet.** Dersom det kommer vann i et elektroverktøy, øker risikoen for elektrisk støt.
- Unngå uforvarslig behandling av ledningen.** Elektroverktøyet må aldri bæres eller trekkes etter ledningen, og trekk heller ikke ut støpselet ved å rykke i ledningen. Hold ledningen unna varme, olje, skarpe kanter eller bevegelige deler. Med skadde eller sammenflokete ledninger øker risikoen for elektrisk støt.
- Når du arbeider utendørs med et elektroverktøy, må du kun bruke en skjøteledning som er godkjent til utendørs bruk.** Ved å bruke en skjøteledning som er egnet for utendørs bruk, reduseres risikoen for elektrisk støt.
- Hvis du må bruke et elektrisk verktøy på et fuktig sted, må du bruke en forsyning som er beskyttet med en**

reststrømsanordning (RCD). Bruk av en RCD reduserer risikoen for støt.

3. Personikkerhet

- Vær oppmerksom, pass på hva du gjør og vis fornuft når du arbeider med et elektroverktøy. Ikke bruk elektroverktøy når du er trett eller er påvirket av narkotika, alkohol eller medikamenter.** Et øyeblikks uoppmerksomhet under bruk av verktøyet kan føre til alvorlige personskader.
 - Bruk personlig verneutstyr. Bruk alltid vernebriller.** Verneutstyr som støvmaske, sko med gode såler, hjelm og hørselsvern bør brukes for å redusere risikoen for personskade.
 - Unngå utilsikket oppstart. Påse at bryteren er i av-stilling før du kople til strøm og/eller batteripakke, plukker opp eller bærer verktøyet.** Hvis du bærer et elektrisk verktøy med fingeren på bryteren, eller hvis du setter strøm på et verktøy som har bryteren slått på, inviterer du til ulykker.
 - Fjern innstillingsverktøy eller skrunøkler før du slår på elektroverktøyet.** Et verktøy eller en nøkkel som befinner seg i en roterende del kan føre til personskade.
 - Ikke strekk deg for langt. Pass på at du alltid har sikkert fotfeste og god balanse.** Da kan du kontrollere elektroverktøyet bedre i uventede situasjoner.
 - Bruk alltid egnede klær. Ikke bruk løstsittende klær eller smykker. Hold hår, klær og hansker unna bevegelige deler.** Løstsittende klær, smykker eller langt hår kan komme inn i bevegelige deler.
 - Hvis det kan monteres støvavsug- og oppsamlingsinnretninger, må du forvise deg om at disse er tilkoblet og brukes på riktig måte.** Bruk av støvavsug reduserer farer i forbindelse med støv.
- #### 4. Aktsom håndtering og bruk av elektroverktøy
- Ikke bruk makt på elektroverktøyet. Bruk et elektroverktøy som er beregnet på den type arbeid du vil utføre.** Med et passende elektroverktøy arbeider du bedre og sikrere i det angitte effektområdet.
 - Ikke bruk elektroverktøyet hvis det ikke lar seg slå på og av med bryteren.** Et elektroverktøy som ikke kan kontrolleres med bryteren er farlig og må repareres.
 - Trekk støpselet ut av stikkkontakten og/eller kople fra batteripakken før du utfører innstillinger på et elektrisk verktøy, skifter tilbehør eller legger verktøyet bort.** Disse tiltakene reduserer risikoen for en utilsikket start av elektroverktøyet.
 - Elektroverktøy som ikke er i bruk må oppbevares utilgjengelig for barn. Ikke la verktøyet brukes av personer som ikke er fortrolig med det eller som ikke har lest disse bruksanvisningene.** Elektroverktøy er farlige når de brukes av uerfarne personer.

- e. **Vær nøye med vedlikehold av elektroverktøy.** **Kontroller om bevegelige deler fungerer feilfritt og ikke klemmes fast, om deler er brukket eller skadet og andre forhold som kan innvirke på elektroverktøyets funksjon. Hvis elektroverktøyet er skadet, må det repareres før bruk.** Dårlig vedlikeholdte elektroverktøy er årsaken til mange uhell.
- f. **Hold skjæreverktøy skarpe og rene.** Godt vedlikeholdte skjæreverktøy med skarpe egger setter seg ikke så ofte fast og er lettere å føre.
- g. **Bruk elektroverktøy, tilbehør, bor osv. i henhold til disse instruksjonene. Ta hensyn til arbeidsforholdene og arbeidet som skal utføres.** Bruk av elektroverktøy til andre formål enn det som er angitt, kan føre til farlige situasjoner.

5. Service

- a. **Elektroverktøyet ditt skal alltid repareres av kvalifisert personell og kun med originale reservedeler.**

Dette sikrer at elektroverktøyets sikkerhet opprettholdes.

Ekstra sikkerhetsadvarsler for elektriske verktøy



Advarsel! Utfyllende sikkerhetsadvarsler for fresemaskiner

- ◆ **Hold elektriske verktøy i de isolerte gripeflatene, da fresemaskinen kan komme i kontakt med sin egen kabel.** Skjæring en strømførende ledning vil gjøre verktøyets metalldeler strømførende og gi operatøren støt.
- ◆ **Bruk klemmer eller en annen praktisk måte til å feste arbeidsemnet til et stabilt underlag.** Arbeidsemnet blir ustabil og du mister kontroll dersom du holder det i hånden eller inn mot kroppen.

Advarsel! Kontakt med eller innånding av støv fra fresing kan være helseskadelig for brukeren og eventuelle andre tilstedeværende. Bruk en spesialmaske som verner mot støv og damp, og pass på at andre som oppholder seg eller kommer inn i området der du arbeider, også beskyttes seg.

- ◆ Fjern alt støv grundig etter fresing.
- ◆ Bruk bare fresestål med en skaftdiameter som er lik størrelsen på chucken som er installert på verktøyet.
- ◆ Bruk bare fresestål som passer for verktøyets tomgangshastighet.
- ◆ Bruk aldri fresestål med en diameter som overskrider maksimumsdiameteren angitt i avsnittet om tekniske opplysninger.
- ◆ Bruk ikke verktøyet opp ned.
- ◆ Forsøk ikke å bruke verktøyet når det står stille.
- ◆ Hvis strømedningen skades må den skiftes ut av fabrikanten eller et autorisert Black & Decker servicesenter for å unngå fare.

- ◆ Vær spesielt når du freser materialer med maling som kan være blybasert, eller når du freser trestykker som kan produsere giftig støv:
 - La ikke barn eller gravide komme inn der du arbeider.
 - Ikke spis, drikk eller røyk der du arbeider.
 - Kvitt deg med støvpartikler eller annet avfall på en miljøvennlig måte.
- ◆ Dette verktøyet er ikke beregnet til å brukes av personer (inkludert barn) med redusert fysisk, sansemessig eller mental kapasitet eller mangel på erfaring og kunnskap, med mindre de er under oppsyn eller har fått opplæring i bruk av verktøyet av en person som har ansvaret for deres sikkerhet. Barn må ha tilsyn for å sikre at de ikke leker med apparatet.
- ◆ Denne instruksjonshåndboken forklarer beregnet bruksmåte. Bruk bare tilbehør og utstyr som anbefales i bruksanvisningen. Bruk av annet verktøy eller tilbehør kan medføre risiko for skade på person og/eller utstyr.

Andre personers sikkerhet

- ◆ Apparatet er ikke beregnet til å brukes av personer (inkludert barn) med redusert fysisk, sansemessig eller mental kapasitet eller mangel på erfaring og kunnskap, med mindre de er under oppsyn eller har fått opplæring i bruk av apparatet av en person som har ansvaret for deres sikkerhet.
- ◆ Barn må ha tilsyn for å sikre at de ikke leker med apparatet.

Andre risikoer.

Ved bruk av verktøyet kan det oppstå ytterligere risikoer som kanskje ikke er inkludert i sikkerhetsadvarslene som følger med. Disse risikoene kan bli forårsaket av feil bruk, langvarig bruk osv.

Selv om de relevante sikkerhetsbestemmelsene blir fulgt, og sikkerhetstiltakene blir gjennomført, kan visse gjenværende risikoer ikke unngås. Disse omfatter:

- ◆ **Personskader som forårsakes av berøring av en roterende/bevegelig del.**
- ◆ **Personskader som forårsakes av at en del, et blad eller tilbehør endres.**
- ◆ **Personskader som forårsakes av langvarig bruk av et verktøy. Når du bruker et verktøy i lange perioder, må du sørge for å ta regelmessige pauser.**
- ◆ **Svekket hørsel.**
- ◆ **Helsefarer som forårsakes av innånding av støv som dannes når du bruker verktøyet (eksempel: arbeid med tre, spesielt eik, bøk og MDF).**

Vibrasjon

De erklærte vibrasjonsnivåene i avsnittet Tekniske Data / Samsvarserklæring er målt i samsvar med en standard testmetode som gis av EN 60745, og kan brukes til å

sammenligne et verktøy med et annet. Erklært vibrasjonsnivå kan også brukes i en foreløpig vurdering av eksponering.

Advarsel! Vibrasjonsnivået ved faktisk bruk av elektroverktøyet kan variere fra erklært verdi, avhengig av måten verktøyet brukes på. Vibrasjonsnivået kan øke over det oppgitte nivået.

Når du vurderer eksponering til vibrasjon for å bestemme sikkerhetstiltak som anbefalt i 2002/44/EF for å beskytte personer som jevnlig bruker elektroverktøy, bør en estimering av eksponeringen ta hensyn til de faktiske bruksforholdene og måten verktøyet brukes på. Dette inkluderer alle deler av brukssyklusen som f.eks. tidsperioder da verktøyet er slått av og når det går uten belastning, i tillegg til faktisk arbeidstid.

Etiketter på verktøyet

Følgende symboler befinner seg på verktøyet:



Advarsel! Bruker må lese bruksanvisningen for å redusere faren for skader.

Elektrisk sikkerhet



Dette apparatet er dobbeltisolert. Derfor er ikke jording nødvendig. Kontroller alltid at nettspenningen er i overensstemmelse med spenningen på typeskiltet.

- ◆ Hvis strømledningen skades, må den skiftes ut av fabrikanten eller et autorisert Black & Decker servicesenter for å unngå fare.

Egenskaper

1. Strømbryter
2. Låseknapp
3. Knapp for variabel hastighet
4. Stempellåshendel
5. Spindellåseknapp
6. Chuck
7. Revolverdybdestopp
8. Sponleder
9. Dybdestoppstang
10. Skjæredybdeskala
11. Støvsugsadapter

Montering

Advarsel! Før monteringen, må du passe på at verktøyet er slått av og at kontakten er trukket ut.

Sette på et fresestål (fig. A)

- ◆ Fjern sponlederen (8).
- ◆ Hold spindellåseknappen (5) nede, og dreii på spindelen til spindellåsen er festet.

- ◆ Løsne chuckmutteren (12) ved hjelp av medfølgende skiffenøkkel.
- ◆ Sett inn fresestålskaftet (13) i chucken (6). Kontroller at skaftet stikker minst 3 mm ut fra chucken, som vist.
- ◆ Hold spindellåseknappen (5) nede, og stram til chuckmutteren (12) ved hjelp av den medfølgende skrunøkkel.

Sette på kantguiden (fig. B)

Kantguiden bidrar til at verktøyet kan føres parallelt med en kant.

- ◆ Monter stengene (14) på kantguiden (15) ved hjelp av de to medfølgende skruene (16).
- ◆ Sett inn stengene (14) i overfresbasen, som vist.
- ◆ Still kantguiden til ønsket avstand.
- ◆ Stram festeskruene (17).

Sette på støvutsugsadapteren (fig. C)

Med støvutsugsadapteren kan du koble en støvsuger til verktøyet.

- ◆ Koble slangen (18) på støvsugeren til adapteren (11).

Montere malguiden (fig. D)

- ◆ Sett malguiden (19) på bunnen av overfresen, med flensen nederst (ved arbeidsemnet).
- ◆ Sett inn de to lange skruene (20) i malguiden fra undersiden og før dem gjennom hullene i bunnen.
- ◆ Sett en mutter på hver av skruene, og stram dem.

Montere avstandsstykket (fig. E)

- ◆ Monter avstandsstykket (21) på bunnen av overfresen ved hjelp av medfølgende skruer.

Montere sentereringspinnen (fig. F)

- ◆ Sett kantguiden på overfresen som vist i fig. B, men opp-ned.
- ◆ Monter sentereringspinnen (22) på arbeidsemnesiden av kantguiden med medfølgende skruer (23)

Montere kopifølgeren (fig. G)

- ◆ Sett kantguiden på overfresen som vist i fig. B.
- ◆ Monter 'L'-stangen (24) på oversiden av kantguiden ved hjelp av de to medfølgende skruene og mutterne.
- ◆ Monter rotasjonsenheten (25) på 'L'-stangen med medfølgende vingskrue (26).

Bruk

Advarsel! La verktøyet jobbe med sin egen hastighet. Ikke overbelast det.

- ◆ Før ledningen forsiktig, slik at du unngår å kappe den over ved et uhell.

Justere skjæredybden (fig. H, I & J)

Skjæredybden er avstanden X mellom dybdestoppstangen (9) og dybdestoppet (27). Skjæredybden kan innstilles på to forskjellige måter, som beskrevet nedenfor.

Justere skjæredybden ved hjelp av skalaen (fig. I)

- ◆ Monter fresestålet som beskrevet ovenfor.
- ◆ Løsne låseskruene (28).
- ◆ Dra stempellåshendelen (4) opp.
- ◆ Trykk overfresen ned til fresestålet berører arbeidsemnet.
- ◆ Dra stempellåshendelen (4) ned.
- ◆ Flytt pekeren (29) til nullstillingen på skalaen (10).
- ◆ Legg til ønsket skjæredybde til startposisjonen.
- ◆ Flytt dybdestoppstangen (9) til den utregnede posisjonen på skalaen.
- ◆ Stram til låseskruen (28).
- ◆ Finjuster ved hjelp av justeringsknappen (30).
- ◆ Dra stempellåshendelen (4) opp og la overfresen gå tilbake til opprinnelig posisjon.
- ◆ Når du har slått overfresen på, senker du den og foretar ønsket skjæring.

Justere skjæredybden ved hjelp av en trebit (fig. J)

- ◆ Monter fresestålet og senk overfresen som beskrevet ovenfor.
- ◆ Dra dybdestoppstangen (9) opp.
- ◆ Legg en trebit med samme tykkelse som ønsket skjæredybde mellom dybdestoppet (27) og dybdestoppstangen (9).
- ◆ Stram til låseskruen (28).
- ◆ Finjuster ved hjelp av justeringsknappen (30).
- ◆ Fjern trebiten.
- ◆ Dra stempellåshendelen (4) opp og la overfresen gå tilbake til opprinnelig posisjon.
- ◆ Når du har slått overfresen på, senker du den og foretar ønsket skjæring.

Justere revolverdybdestoppet (fig. K)

Når du har satt revolverdybdestoppet på ønsket innstilling, kan du finjustere dybdestoppet som skal brukes. Hvis du vil skjære flere ganger med forskjellig skjæredybde, justerer du hver av disse dybdestoppene.

- ◆ Vri dybdestoppskruen (31) opp eller ned ved hjelp av en skrutrekker.

Stille inn hastigheten

- ◆ Sett hastighetsknappen (3) på ønsket hastighet. Bruk høy hastighet for fresestål med små diametere. Bruk lav hastighet for fresestål med store diametere.

Bruke en planke som guide (fig. L)

Når det ikke er mulig å bruke kantguiden, for eksempel ved fresing av spor på baksiden av en bokhylle for å støtte opp

hyller, går du frem på følgende måte:

- ◆ Velg et stykke tre med en rett kant til bruk som planke.
- ◆ Plasser planken på arbeidsemnet.
- ◆ Flytt planken til den er i riktig posisjon til å lede verktøyet.
- ◆ Sett fast planken på arbeidsemnet.

Bruke malguiden (fig. D)

Malguiden kan brukes til å skjære ut en form ved hjelp av en mal, for eksempel en bokstav.

- ◆ Fester malen over arbeidsemnet med dobbeltsidig tape eller G-klemmer.
- ◆ Overfresbiten må stikke lenger ut enn flensen på malguiden når arbeidsemnet skal skjæres til etter en mal.

Bruke avstandsstykket (fig. E)

Avstandsstykket kan brukes til beskjæring av vertikale biter som stikker ut fra tre eller laminat.

Bruke sentreringspinnen (fig. F)

Sentreringspinnen kan brukes ved utskjæring av sirkelmønstre.

- ◆ Bor et hull til sentreringspinnen midt i sirkelen som skal skjæres ut.
- ◆ Plasser overfresen på arbeidsemnet med punktet til sentreringspinnen i det borede hullet.
- ◆ Juster sirkelradiusen med stengene på kantguiden.
- ◆ Overfresen kan nå beveges over arbeidsemnet, og sirkelen skjæres ut.

Bruke kopifølgeren (fig. G)

Kopifølgeren hjelper deg å holde lik sagavstand langs kanten av arbeidsemner med uregelmessig form.

- ◆ Plasser overfresen på arbeidsemnet i ønsket avstand fra kanten som skal kopieres.
- ◆ Juster stengene på kantguiden til hjulet kommer i kontakt med arbeidsemnet.

Start og stopp

Slå på

- ◆ Hold låseknappen (2) nede og trykk på strømbryteren (1).
- ◆ Slipp låseknappen.

Slå av

- ◆ Slipp strømbryteren.

Advarsel! Bruk alltid verktøyet med begge hender.

Råd for optimalt resultat

- ◆ Når du arbeider på ytre kanter, beveger du verktøyet mot klokken (fig. M). Når du arbeider på indre kanter, beveger du verktøyet med urviseren.
- ◆ Bruk HSS-fresestål for mykt treverk.
- ◆ Bruk TCT-fresestål for hardt treverk.

- ◆ Du kan bruke verktøyet uten guide (fig. N). Dette er nyttig for å lage skilt og kreative arbeider. Lag kun overflatiske kutt.
- ◆ Se tabellen nedenfor for vanlige freseståltyper.

Fresestål (fig. O)

Beskrivelse	Bruksområde
Rett fres (1)	Spor og falsinger
Trimfres (2)	Trimming av laminat eller hardt treverk, nøyaktig profilering ved hjelp av en mal
Falsfres (3)	Falsinger på rette eller bøyde arbeidsemner
V-fres (4)	Spor, gravering og kantfasing
Kjernerassefres (5)	Renner, graveringer og dekorativ kantutfresing
Profilfres (6)	Dekorativ kantutfresing
Profilfres (7)	Dekorativ kantutfresing
Avrundingsfres (9)	Avrunding av kanter
Svalehalefres (10)	Svalehalesammenføyninger
Vinkelfres (11)	Vinkelkanter

Vedlikehold

Verktøyet ditt er konstruert for å være i drift over lengre tid med et minimum av vedlikehold. Det er avhengig av godt vedlikehold og regelmessig rengjøring for å fungere som det skal til enhver tid.

Advarsel! Før alt vedlikehold må verktøyet slås av og kontakten trekkes ut.

- ◆ Rengjør ventileringåpningene på verktøyet regelmessig med en myk børste eller en tørr klut.
- ◆ Rengjør motorhuset regelmessig med en fuktig klut. Ikke bruk slipende eller løsemiddelbaserte rengjøringsmidler.

Miljøvern



Kildesortering. Dette produktet må ikke kastes i det vanlige husholdningsavfallet.

Hvis du finner ut at Black & Decker-produktet ditt må skiftes ut, eller hvis du ikke lenger har bruk for det, må du unnlate å kaste det sammen med det vanlige husholdningsavfallet. Sørg for at dette produktet gjøres tilgjengelig for kildesortering.



Kildesortering av brukte produkter og emballasje gjør det mulig å resirkulere materialer og bruke dem igjen. Gjenbruk av resirkulerte materialer bidrar til å forhindre forurensning av miljøet og reduserer behovet for råmaterialer.

Lokale regelverk kan legge tilrette for kildesortering av elektriske produkter fra husholdningen, ved kommunale deponier eller gjennom forhandleren når du kjøper et nytt produkt.

Black & Decker har tilrettelagt for innsamling og resirkulering av Black & Decker-produkter etter at de har utspilt sin rolle. Ønsker du å benytte deg av denne tjenesten, returnerer du produktet ditt til et autorisert serviceverksted, som tar det imot og formidler det videre.

Du kan få adressen til ditt nærmeste autoriserte serviceverksted ved å kontakte ditt lokale Black & Decker-kontor på adressen oppgitt i denne håndboken. Du kan også finne en komplett liste over autoriserte Black & Decker-serviceverksteder og utfyllende informasjon om vår etter salg-service og kontaktnumre på Internett på følgende adresse:

www.2helpU.com

Tekniske data

	KW900E Type 1	
Spenning	V _{AC}	230
Inn-effekt	W	1.200
Hashtighet ubelastet	min ⁻¹	8.000 - 27.000
Chuckstørrelse	5/16" (8 mm) / 1/4" (6,35 mm) / 6 mm	
Maks. diameter, fresestål	mm	30
Maks. sagedybde	mm	55
Vekt	kg	3,6

Lydnivået, målt i henhold til EN 60745:

Lydtrykk (L_{PA}) 95 dB(A), usikkerhet (K) 3 dB(A)
 Lydeffekt (L_{WA}) 106 dB(A), usikkerhet (K) 3 dB(A)

Totalverdier, vibrasjon (triax vektorsum) bestemt ifølge EN 60745:

Vibrasjonsverdi (a_v) 5,77 m/s², usikkerhet (K) 1,5 m/s²

Samsvarserklæring for EU

MASKINDIREKTIVET



KW900E

Black & Decker erklærer at produktene som beskrives under "tekniske data" oppfyller kravene til: 2006/42/EF, EN 60745-1, EN 60745-2-11

For mer informasjon, kontakt Black & Decker på følgende adresse eller se bakerst i håndboken.

Undertegnede er ansvarlig for sammenstillingen av den tekniske filen og avgir denne erklæringen på vegne av Black & Decker.

Kevin Hewitt
Visepresident, Global Engineering
Black & Decker Europe, 210 Bath Road, Slough,
Berkshire, SL1 3YD
Storbritannia
31/03/2010

Reservdeler / reparasjoner

Reservdeler kan kjøpes hos autoriserte Black & Decker serviceverksteder, som også gir kostnadsoverslag og reparerer våre produkter.

Oversikt over våre autoriserte serviceverksteder finnes på Internet, vår hjemmeside www.blackanddecker.no samt www.2helpU.com

Garanti

Black & Decker garanterer at produktet ikke har material- og/eller fabrikkasjonsfeil ved levering til kunde. Garantien er i tillegg til kundens lovlige rettigheter og påvirker ikke disse. Garantien gjelder innen medlemsstatene i den Europeiske Unionen og i det Europeiske Frihandelsområdet.

Hvis et Black & Decker produkt går i stykker på grunn av material- og/eller fabrikkasjonsfeil eller har mangler i forhold til spesifikasjonene, innen 24 måneder fra kjøpet, påtar Black & Decker seg å reparere eller bytte ut produktet med minst mulig vanskelighet for kunden.

Garantien gjelder ikke for feil som kommer av:

- ◆ normal slittasje
- ◆ feilaktig bruk eller vedlikehold (mislighold)
- ◆ at produktet har blitt skadet av fremmede gjenstander, emner eller ved et uhell

Det gjøres oppmerksom på at produktet ikke er beregnet på industriell/profesjonell/yrkesmessig bruk, men til hus- og hjemmebruk.

Garantien gjelder ikke om reparasjoner har blitt utført av noen andre enn et autorisert Black & Decker serviceverksted.

For å ta garantien i bruk skal produktet og kjøpekvitteing leveres til forhandleren eller til et autorisert serviceverksted senest 2 måneder etter at feilen har blitt oppdaget.

For informasjon om nærmeste autoriserte serviceverksted; kontakt det lokale Black & Decker kontoret på den adressen som er angitt i bruksanvisningen. En oversikt over alle autoriserte serviceverksteder samt servicevilkår finnes også tilgjengelig på Internet, adresse: www.2helpU.com

Vennligst stikk innom våre nettsider på www.blackanddecker.no for å registrere ditt nye Black & Decker-produkt og for å holde deg oppdatert om nye produkter og spesialtilbud. Du finner mer informasjon om Black & Decker og produktutvalget vårt på www.blackanddecker.no

Anvendelsesområde

Din Black & Decker håndoverfræser er designet til at fræse i træ og træprodukter. Værktøjet er kun beregnet til privat brug.

Sikkerhedsinstruktioner

Generelle sikkerhedsadvarsler for værktøjet



Advarsel! Læs alle sikkerhedsadvarsler og instrukser. Hvis nedenstående advarsler og instrukser ikke følges, er der risiko for elektrisk stød, brand og/eller alvorlige personskader.

Gem alle advarsler og instruktioner til fremtidig brug.

Det benyttede begreb "el-værktøj" i nedennævnte advarsler refererer til el-netdrevne (med tilslutningsledning) eller batteridrevne maskiner (uden tilslutningsledning).

1. **Sikkerhed i arbejdsområdet**
 - a. **Sørg for, at arbejdsområdet er rent og ryddeligt.**
Rodede eller uoplyste arbejdsområder øger faren for uheld.
 - b. **Brug ikke el-værktøj i eksplosionstruede omgivelser, f.eks. hvor der er brændbare væsker, gasser eller støv.**
El-værktøj kan slå gnister, der kan antænde støv eller dampe.
 - c. **Sørg for, at børn og andre personer holder sig på afstand, når el-værktøjet er i brug.** Hvis man distraheres, kan man miste kontrollen over maskinen.
2. **El-sikkerhed**
 - a. **El-værktøjsstik skal passe til kontakten. Stikkene må under ingen omstændigheder ændres. Brug ikke adapterstik sammen med jordforbundet el-værktøj.**
Uændrede stik, der passer til kontakterne, nedsætter risikoen for elektrisk stød.
 - b. **Undgå kropskontakt med jordforbundne overflader som f.eks. rør, radiatorer, komfurer og køleskabe.** Hvis din krop er jordforbundet, øges risikoen for elektrisk stød.
 - c. **El-værktøj må ikke udsættes for regn eller fugt.**
Indtrængen af vand i el-værktøj øger risikoen for elektrisk stød.
 - d. **Undgå at ødelægge ledningen. Undgå at bære, trække eller afbryde el-værktøjet ved at rykke i ledningen.**
Beskyt ledningen mod varme, olie, skarpe kanter eller maskindele, der er i bevægelse. Beskadigede eller indviklede ledninger øger risikoen for elektrisk stød.
 - e. **Hvis el-værktøj benyttes i det fri, skal der benyttes en forlængerledning, som er godkendt til udendørs brug.**
Brug af en forlængerledning til udendørs brug nedsætter risikoen for elektrisk stød.
 - f. **Ved anvendelse af et elektrisk værktøj i områder med damp, anvend da en beskyttende afskærmning.**
Denne afskærmning reducerer risikoen for elektrisk stød.
3. **Personlig sikkerhed**
 - a. **Vær opmærksom, hold øje med, hvad du laver, og brug el-værktøjet fornuftigt. Man bør ikke bruge maskinen, hvis man er træt, har nydt alkohol eller er påvirket af medicin eller euforiserende stoffer.**
Få sekunders uopmærksomhed ved brug af el-værktøjet kan føre til alvorlige personskader.
 - b. **Anvend sikkerhedsudstyr. Bær altid beskyttelsesbriller.**
Beskyttende udstyr, som en støvmaske, skridsikre sikkerhedssko, beskyttelseshjelm eller ørepropper anvendt i de rigtige betingelser reducere ulykker.
 - c. **Forebyg umotiveret opstart. Vær sikker på, at kontakten er slukket før du forbinder kraftkilden og/eller batteriet, løfter eller bærer værktøjet.** Hvis du bærer på værktøjet med din finger på kontakten eller starter værktøjet med kontakten slået til indbyder til ulykker.
 - d. **Fjern indstillingsværktøj eller skruenøgle, inden el-værktøjet tændes.** Et værktøj eller en nøgle, der efterlades i en roterende del i el-værktøjet, kan resultere i personskader.
 - e. **Overvurder ikke dig selv. Sørg for, at du altid har sikkert fodfæste og balance.** Det gør det nemmere at kontrollere el-værktøjet, hvis der skulle opstå uventede situationer.
 - f. **Brug egnet arbejdstøj. Undgå løse beklædningsgenstande eller smykker. Hold hår, tøj og handsker væk fra dele, der bevæger sig.** Bevægelige dele kan gribe fat i løstsiddende tøj, smykker eller langt hår.
 - g. **Hvis støvudsugnings- og opsamlingsudstyr kan monteres, er det vigtigt, at dette tilsluttes og benyttes korrekt.** Brug af støvopsamling nedsætter risikoen for personskader som følge af støv.
4. **Brug og vedligeholdelse af el-værktøj**
 - a. **Undgå at overbelaste el-værktøjet. Brug altid det rette el-værktøj til opgaven.** Med det rigtige el-værktøj udføres arbejdet lettere og sikrere inden for det angivne effektområde.
 - b. **Brug ikke el-værktøjet, hvis afbryderen er defekt.**
El-værktøj, der ikke kan reguleres med afbryderen, er farligt og skal repareres.
 - c. **Træk stikket ud af stikkontakten og/eller afmonter batteriet inden indstilling, tilbehørsudskiftning eller opbevaring af el-værktøjet.** Disse sikkerhedsforanstaltninger reducerer risikoen for utilsigtet start af værktøjet.
 - d. **Opbevar ubenyttet el-værktøj uden for børns rækkevidde. Lad aldrig personer, der ikke er fortrolige med el-værktøj, eller som ikke har gennemlæst disse instrukser, benytte maskinen.** El-værktøj er farligt, hvis det benyttes af ukundige personer.
 - e. **El-værktøj bør vedligeholdes omhyggeligt. Kontroller, om bevægelige dele er skæve og ikke sidder fast, og**

om delene er brækket eller beskadiget, således at el-værktøjets funktion påvirkes. Få beskadigede dele repareret, inden el-værktøjet tages i brug. Mange uheld skyldes dårligt vedligeholdet el-værktøj.

- f. **Sørg for, at skæreværktøjer er skarpe og rene.**
Omhyggeligt vedligeholdte skæreværktøjer med skarpe skærekanter sætter sig ikke så hurtigt fast og er nemmere at føre.
- g. **Brug el-værktøj, tilbehør, indsatsværktøj osv. i overensstemmelse med disse instrukser, og sådan som det kræves for denne specielle værktøjstype. Tag hensyn til arbejdsforholdene og det arbejde, der skal udføres.** I tilfælde af anvendelse af el-værktøjet til formål, som ligger uden for det fastsatte anvendelsesområde, kan der opstå farlige situationer.

5. Service

- a. **Sørg for, at el-værktøjet kun reparerer af kvalificerede fagfolk, og at der kun benyttes originale reservedele.**
Dermed bevares el-værktøjets sikkerhed.

Yderligere sikkerhedsadvarsler for værktøjet



Advarsel! Yderligere sikkerhedsadvarsler for håndoverfræsere

- ◆ **Hold kun fast på maskinen på de isolerede håndtagsflader, fordi fræserbiten kan komme i kontakt med apparatets eget kabel.** Skæring strømførende ledninger, vil metaldelene på værktøjet være under spænding og give elektrisk stød.
- ◆ **Brug spænder eller en anden praktisk måde til at sikre og støtte arbejdsemnet til en stabil flade.** Hvis det holdes i hånden eller mod kroppen, er det ustabilt og kan føre til tab af kontrol.

Advarsel! Hvis brugeren eller eventuelle tilskuere kommer i kontakt med eller indånder støv fra fræseapparater, kan det skade deres helbred. Bær en specielt designet støvmaske til beskyttelse mod støv og røg, og sørg for, at personer på arbejdsområdet eller personer, der kommer ind på arbejdsområdet, også er beskyttede.

- ◆ Man skal grundigt fjerne alt støv efter fræsning.
- ◆ Brug udelukkende fræsebits med en akseldiameter, der svarer til størrelsen af den spændepatron, der sidder i maskinen.
- ◆ Brug udelukkende fræsebits, der er egnet til det ubelastede værktøjs højeste tilladte hastighed.
- ◆ Brug aldrig fræsebits med en diameter over den maksimumdiameter, der er angivet i afsnittet om tekniske data.
- ◆ Anvend ikke værktøjet i en omvendt position.
- ◆ Prøv ikke at bruge maskinen stationært.

- ◆ Hvis el-ledningen er skadet, skal den udskiftes af producenten eller et autoriseret Black & Decker servicecenter for at undgå ulykker.
- ◆ Man skal være specielt opmærksom ved fræsning af maling, som eventuelt er blybaseret, og ved fræsning af nogle typer træ og metal, som kan frembringe giftigt støv:
 - Børn og gravide kvinder må ikke betræde arbejdsområdet.
 - Der må ikke spises, ryges eller drikkes i arbejdsområdet.
 - Man skal bortskaffe støvpartikler og andet affald på en sikker måde.
- ◆ Dette apparat er ikke egnet til brug for personer (inklusive børn) med manglende evner eller viden omkring produktet, med mindre de har modtaget undervisning eller instruktioner i brug af apparatet fra en person, som er ansvarlig for sikkerheden. Der skal være opsyn med børn for at sikre, at de ikke leger med apparatet.
- ◆ Det formål, som dette værktøj er beregnet til, er beskrevet i denne brugsanvisning. Brug af andet tilbehør eller udførelse af en anden opgave med dette værktøj end de her anbefalede kan medføre risiko for personskader og/eller skader på materiel.

Andres sikkerhed

- ◆ Dette apparat er ikke egnet for at brug af personer (inklusive børn) med manglende evner eller viden omkring produktet, med mindre de har modtaget undervisning eller instruktioner i brug af apparatet fra en person, som er ansvarlig for sikkerheden.
- ◆ Der skal være opsyn med børn for at sikre, at de ikke leger med apparatet.

Restrisici.

Der kan opstå yderligere restrisici under brugen af værktøjet, som ikke kan medtages i vedlagte sikkerhedsadvarsler. Disse risici kan opstå pga. forkert anvendelse, langvarig brug etc. Selv ved overholdelse af relevante sikkerhedsforskrifter og anvendelse af sikkerhedsudstyr kan visse restrisici ikke undgås. Disse omfatter:

- ◆ **Tilskadekomst forårsaget af berøring af roterende/ bevægelige dele.**
- ◆ **Tilskadekomst forårsaget af udskiftning af dele, blade eller tilbehør.**
- ◆ **Tilskadekomst forårsaget af langvarig brug af et værktøj. Husk at holde pause jævnligt ved brug af et værktøj i længere tid.**
- ◆ **Høreskader.**
- ◆ **Sundhedsrisici forårsaget af indånding af støv, der genereres ved brug af værktøjet (eksempel: Arbejde med træ, især, eg, bøg og MDF).**

Vibration

De deklarerede vibrationsemissionsværdier, som er angivet i tekniske data og overensstemmelseserklæring er blevet

udmål i overensstemmelse med en standardtestmetode foreskrevet af EN 60745 og kan anvendes til at sammenligne et værktøj med et andet. De deklarerede vibrationsemissionsværdier kan ligeledes anvendes i en præliminær undersøgelse af eksponeringen.

Advarsel! Vibrationsemissionsværdien under den faktiske brug af værktøjet kan variere fra den deklarerede værdi, alt efter hvilken måde værktøjet anvendes på. Vibrationerne kan nå op på et niveau over det anførte.

Når vibrationseksponeringen undersøges med det formål at fastsætte sikkerhedsforanstaltningerne ifølge 2002/44/EF for at beskytte personer, som regelmæssigt anvender værktøjer i forbindelse med deres arbejde, bør en måling af vibrationseksponeringen betænke, den måde værktøjet anvendes på inklusive alle dele af arbejds cyklussen såsom tidspunkter, hvor værktøjet er slukket eller kører i tomgang, ud over det tidsrum hvor det anvendes.

Etiketter på værktøjet

Følgende piktogrammer ses på værktøjet:



Advarsel! For at mindske risikoen for skader skal brugeren læse instruktionsmanualen.

El-sikkerhed



Denne maskine er dobbelt isoleret. Derfor er jordledning ikke nødvendig. Kontroller altid, at strømforsyningen svarer til spændingen på apparatetskilte.

- ◆ Hvis el-ledningen er skadet, skal den udskiftes af producenten eller et autoriseret Black & Decker servicecenter for at undgå ulykker.

Funktioner

1. Afbryder
2. Låseknop
3. Betjeningsknop til variabel hastighed
4. Dykkelåsestang
5. Aksellåseknop
6. Spændepatron
7. Revolver dybdestop
8. Spånledere
9. Dybdestopstang
10. Skæredybdeskala
11. Støvdugsugningsadapter

Montering

Advarsel! Før montering skal man sikre sig, at værktøjet er slukket og taget ud af stikkontakten.

Isætning af fræseskær (fig. A)

- ◆ Avlægsna spånledaren (8).
- ◆ Hold spindellåsknappen (5) nedtrykket, og drej spindelen, indtil spindellåsen går helt i hak.
- ◆ Løsn spændepatronmøtrikken (12) ved hjælp af medfølgende nøgle
- ◆ Sæt fræseskærets skaft (13) ind i spændepatronen (6). Sørg for, at skaftet stikker mindst 3 mm frem fra spændepatronen som vist.
- ◆ Hold spindellåsknappen (5) trykket ind, og stram spændepatronmøtrikken (12) med den vedlagte nøgle.

Påsætning af kantguiden (fig. B)

Kantguiden hjælper med til at føre maskinen parallel med en kant.

- ◆ Monter stængerne (14) til landet (15) med de to medfølgende skruer (16).
- ◆ Sæt stængerne (14) ind i håndoverfræsere's basis som vist.
- ◆ Indstil kantguiden til den ønskede afstand.
- ◆ Stram fastgøringsskruerne (17).

Påsætning af støvdugsugningsadapteren (fig. C)

Med støvdugsugningsadapteren kan man sætte en støvsuger på maskinen.

- ◆ Tilslut støvsugerslangen (18) til adapteren (11).

Montering af skabelonguiden (fig. D)

- ◆ Fastgør skabelonguiden (19) til håndoverfræsere's basis med flangen vendt mod bunden (arbejdsområdet).
- ◆ Sæt de to lange skruer (20) fra bunden gennem skabelonguiden og hullerne i basis.
- ◆ Placere en møtrik på hver af skruerne og stram møtrikkerne.

Montering af afstandsstykket (fig. E)

- ◆ Fastgør afstandsstykket (21) til håndoverfræsere's basis ved hjælp af de medfølgende skruer.

Montering af centreringssplit (fig. F)

- ◆ Monter kantguiden til håndoverfræsere's som vist i fig. C, men med bunden i vejret.
- ◆ Fastgør centreringstappen (22) til arbejdssemnesiden af kantguiden med den medfølgende skrue (23).

Montering af skabelonføleren (fig. G)

- ◆ Monter kantguiden til håndoverfræsere's som vist i fig. B.
- ◆ Fastgør 'L'-beslaget (24) til oversiden af kantguiden ved hjælp af medfølgende to skruer og møtrikker.
- ◆ Juserøteringsstilbehøret (25) på L-beslaget med vingegrebet (26).

Anvendelse

Advarsel! Lad værktøjet arbejde i dets eget tempo. Det må ikke overbelastes.

- ◆ Før ledningen omhyggeligt for at undgå at komme til at klippe den over.

Justering af skæredybden (fig. H, I & J)

Skæredybden er afstanden X mellem dybdestopstangen (9) og dybdestoppet (27). Skæredybden kan indstilles på to forskellige måder som beskrevet nedenfor.

Justering af skæredybden ved hjælp af skalaen (fig. I)

- ◆ Monter fræseskæret som beskrevet ovenfor.
- ◆ Løsn låseskruen (28).
- ◆ Træk dykkelåsestangen (4) op.
- ◆ Dyk håndoverfræseren ned, indtil fræseskæret berører arbejdsemnet.
- ◆ Skub dykkelåsestangen (4) ned.
- ◆ Flyt viseren (29) i nul-positionen på skalaen (10).
- ◆ Tilføj den ønskede skæredybde til startpositionen.
- ◆ Før dybdestopstangen (9) til den beregnede position på skalaen.
- ◆ Stram låseskruen (28).
- ◆ Finjuster med justeringsknappen (30).
- ◆ Træk dykkelåsestangen (4) op, og lad håndoverfræseren vende tilbage til sin oprindelige stilling.
- ◆ Tænd for håndoverfræseren, dyk den ned, og lav det ønskede snit.

Justering af skæredybden ved hjælp af et stykke træ (fig. J)

- ◆ Monter fræseskæret og dyk fræseren ned som beskrevet ovenfor.
- ◆ Træk dybdestopstangen (9) op.
- ◆ Anbring et stykke træ med en tykkelse, der svarer til den ønskede skæredybde mellem dybdestoppet (27) og dybdestopstangen (9).
- ◆ Stram låseskruen (28).
- ◆ Finjuster med justeringsknappen (30).
- ◆ Fjern træstykket.
- ◆ Træk dykkelåsestangen (4) op, og lad håndoverfræseren vende tilbage til sin oprindelige stilling.
- ◆ Tænd for håndoverfræseren, dyk den ned, og lav det ønskede snit.

Indstilling af revolverdybdestoppet (fig. K)

Når revolverdybdestoppet er drejet til den ønskede indstilling, kan man finjustere det dybdestop, der skal bruges. Hvis du ønsker at foretage flere snit med forskellig skæredybde, skal hvert af dybdestoppene indstilles.

- ◆ Drej dybdestopskruen (31) op eller ned efter behov med en skruetrækker.

Indstilling af hastigheden

- ◆ Indstil hastighedskontrolknappen (3) på den ønskede indstilling. Brug høj hastighed til fræseskær med lille

diameter. Brug lav hastighed til fræseskær med stor diameter.

Brug et bræt som styreskinne (fig. L)

Hvis det ikke er muligt at bruge landet, for eksempel ved fræsning af riller i bagpanelet på en bogreol for at understøtte hylderne, er fremgangsmåden som følger:

- ◆ Vælg et stykke træ med en lige kant og anvend det som bræt.
- ◆ Placer brættet på arbejdsstykket.
- ◆ Bevæg brættet, indtil det er i den rigtige position til at styre fræseværktøjet.
- ◆ Klem brættet sikkert fast til arbejdsemnet.

Anvend skabelonguiden (fig. D)

Skabelonguiden kan bruges til at lave en udskåret figur efter en skabelon, for eksempel et bogstav.

- ◆ Fastgør skabelonen på arbejdsemnet med dobbeltsidet tape eller med 'G'-klemmer.
- ◆ Fræseskæret skal rage ud under skabelonguidens flange for at kunne skære arbejdsemnet i skabelonens form.

Anvend afstandsstykket (fig. E)

Afstandsstykket kan bruges til trimning af lodrette projektioner af træ eller laminat.

Anvendelse af centreringssplitten (fig. F)

Centreringsstappen kan bruges til at udskære runde mønstre med.

- ◆ Bør et hul til centreringsstappen i midten af den cirkel, der skal skæres.
- ◆ Placer håndoverfræseren på arbejdsemnet med centreringsstappen i det borede hul.
- ◆ Justér cirkelns radius efter kantguidens stænger.
- ◆ Håndoverfræseren kan nu bevæges over arbejdsemnet for at udskære cirklen.

Anvendelse af skabelonføleren (fig. G)

Skabelonføleren er med til at holde samme skæringsafstand langs med kanten af uregelmæssigt formede arbejdsemner.

- ◆ Placer håndoverfræseren på arbejdsemnet med den ønskede afstand fra den kant, der skal kopieres.
- ◆ Justér kantguidens stænger, til hjulet er i kontakt med arbejdsemnet.

Start og stop

Tænding

- ◆ Hold låseknappen (2) inde, og tryk på afbryderen (1).
- ◆ Slip låseknappen.

Slukning

- ◆ Slip afbryderknappen.

Advarsel! Brug altid værktøjet med begge hænder.

Gode råd til optimalt brug

- ◆ Når der arbejdes på udvendige kanter, skal værktøjet føres mod uret (fig. M). Når der arbejdes på indvendige kanter, skal værktøjet føres med uret.
- ◆ Brug fræseskær af HSS-typen til nåletræ.
- ◆ Brug TCT-fræseskær til løvtræ.
- ◆ Værktøjet kan bruges uden styreskinne (fig. N). Dette er nyttigt i forbindelse med skrivning på skilte og kreativt arbejde. Lav kun lave snit.
- ◆ Se de gængse typer af fræseskær i tabellen nedenfor.

Fræseskær (fig. O)

Beskrivelse	Emne
Lige skær (1)	Riller og false
Trimmeskær (2)	Til trimning af laminater eller løvtræ. Nøjagtig profilering med en skabelon
Sammenfalsningskær (3)	False på lige eller kurvede arbejdsemner
V-rille skær (4)	Riller, indgravering og kantaffasning
Kerneboksskær (5)	Kanellering, indgravering og dekorativ kantformning
Bugtskær (6)	Dekorativ kantformning
Karnisformningskær (7)	Dekorativ kantformning
Afrundingskær (9)	Afrunding af kanter
Svalehaleskær (10)	Svalehalesamlinger
Faseskær (11)	Affasede kanter

Vedligeholdelse

Værktøjet er beregnet til at være i drift gennem en længere periode med minimal vedligeholdelse. Forsat tilfredsstillende drift afhænger af korrekt behandling af værktøjet samt regelmæssig rengøring.

Advarsel! Før udførelse af vedligeholdelsesarbejde skal værktøjet slukkes og tages ud af stikkontakten.

- ◆ Man skal regelmæssigt rengøre værktøjets ventilationshuller med en blød børste eller en tør klud.
- ◆ Man skal regelmæssigt gøre motorhuset rent med en fugtig klud. Man må ikke bruge slibemidler eller opløsningsmidler.

Beskyttelse af miljøet



Separat indsamling. Dette produkt må ikke bortskaffes sammen med almindeligt husholdningsaffald.

Hvis du en dag skal udskifte dit Black & Decker produkt, eller hvis du ikke skal bruge det længere, må du ikke bortskaffe det sammen med husholdningsaffald. Dette produkt skal være tilgængeligt for separat indsamling.



Separat indsamling af brugte produkter og emballage gør det muligt at genbruge materialer. Genbrugte materialer forebygger miljøforurening og nedbringer behovet for råstoffer.

Lokale regler kan give mulighed for separat indsamling af elektriske husholdningsprodukter på kommunale lossepladser eller hos den forhandler, som du købte produktet af.

Black & Decker har en facilitet til indsamling og genbrug af Black & Decker-produkter, når deres levetid er slut. Få fordelene ved denne service ved at returnere produktet til en autoriseret tekniker, der samler værktøj sammen på vores vegne.

Du kan få oplyst den nærmeste autoriserede tekniker ved at kontakte det lokale Black & Decker-kontor på den adresse, der er angivet i denne brugsanvisning. Alternativt findes der en liste over autoriserede Black & Decker-teknikere og oplysninger om vores eftersalgsservice og kontaktpersoner på Internettet på adressen: www.2helpU.com

Tekniske data

	KW900E Type 1	
Spænding	V _{AC}	230
Motoreffekt	W	1.200
Ubelastet hastighed	min ⁻¹	8.000 - 27.000
Spændepatrons størrelse	5/16" (8 mm) / 1/4" (6,35 mm) / 6 mm	
Fræseskærets maks. diameter	mm	30
Maks. savdybde	mm	55
Vægt	kg	3,6

Lydniveauet i henhold til :

Lydtryk (L_{PA}) 95 dB(A), usikkerhed (K) 3 dB(A)
Lydintensitet (L_{WA}) 106 dB(A), usikkerhed (K) 3 dB(A)

Vibrationernes totale værdi (triax vector sum) i henhold til
EN 60745:

Vibrationsemissionsværdi (a_v) 5,77 m/s²,
usikkerhed (K) 1,5 m/s²

EU overensstemmelseserklæring

MASKINDIREKTIV



KW900E

Black & Decker erklærer, at disse produkter, beskrevet under "tekniske data", overholder følgende:
2006/42/EF, EN 60745-1, EN 60745-2-11

For mere information, kontakt venligst Black & Decker på følgende adresse eller på adressen bagerst i brugsanvisningen.

Undertegnede er ansvarlig for kompilering af den tekniske fil og laver denne erklæring på vegne af Black & Decker.

Kevin Hewitt
Vice-President Global Engineering
Black & Decker Europe, 210 Bath Road, Slough,
Berkshire, SL1 3YD
Storbritannien
31/03/2010

Reserve dele / reparationer

Reserve dele kan købes hos autoriserede Black & Decker serviceværksteder, som giver forslag til omkostninger og reparerer vore produkter. Oversigt over vore autoriserede værksteder findes på internettet på vor hjemmeside www.blackanddecker.dk samt www.2helpU.com

Garanti

Black & Decker garanterer, at produktet er fri for materielle skader og/eller fabrikationsfejl ved levering til kunden.

Garantien er et tillæg til konsumentens lovlige rettigheder og påvirker ikke disse. Garantien gælder indenfor medlemsstaterne af den Europæiske Union og i det Europæiske Frihandelsområde.

Hvis et Black & Decker produkt går i stykker på grund af materiel skade og/eller fabrikationsfejl eller på anden måde ikke fungerer i overensstemmelse med specifikationen, inden for 24 måneder fra købsdatoen, påtager Black & Decker sig at reparere eller ombytte produktet med mindst muligt besvær for kunden.

Garantien gælder ikke for fejl og mangler, der er sket i forbindelse med:

- ◆ normal slitage
- ◆ uheldige følger efter unormal anvendelse af værktøjet
- ◆ overbelastning, hævrværk eller overdrevent intensivt brug af værktøjet
- ◆ ulykkeshændelse

Garantien gælder ikke hvis reparationer er udført af nogen anden end et autoriseret Black & Decker værksted.

For at udnytte garantien skal produktet og købskvitteringen indleveres til forhandleren eller til et autoriseret værksted, senest 2 måneder efter at fejlen opdages. For information om nærmeste autoriserede værksted: kontakt det lokale Black & Decker kontor på den adresse som er opgivet i brugsanvisningen. Liste over alle autoriserede Black & Decker serviceværksteder samt servicevilkår er tilgængelig på internettet, på adressen www.2helpU.com

Gå venligst ind på vores website www.blackanddecker.dk for at registrere dit nye produkt og for at blive holdt ajour om nye produkter og specialtilbud. Der findes yderligere oplysninger om mærket Black & Decker og vores produktsortiment på adressen www.blackanddecker.dk

Käyttötarkoitus

Black & Deckerin jyrsin on suunniteltu puun ja puutuotteiden jyrsimiseen. Kone on tarkoitettu kotikäyttöön.

Turvaohjeet

Yleiset sähkötyökalujen turvallisuusohjeet



Varoitus! Kaikki ohjeet täytyy lukea. Alla olevien ohjeiden noudattamisen laiminlyönti saattaa johtaa sähköiskuun, tulipaloon ja/tai vakavaan loukkaantumiseen.

Säilytä nämä ohjeet hyvin. Seuraavassa käytetty käsite "sähkötyökalu" käsittää verkkokäyttöiset sähkötyökalut (verkkojohdolla) ja paristokäyttöiset sähkötyökalut (ilman verkkojohtoa).

1. Työpisteen turvallisuus

- Pidä työskentelyalue puhtaana ja hyvin valaistuna.** Epäjärjestyksessä olevilla ja valaisemattomilla työalueilla voi tapahtua tapaturmia.
- Älä työskentele sähkötyökalulla räjähdysalttiissa ympäristössä, jossa on palavaa nestettä, kaasua tai pölyä.** Sähkötyökalu muodostaa kipinöitä, jotka saattavat sytyttää pölyn tai höyryä.
- Pidä lapset ja sivulliset loitolla sähkötyökalua käyttäessäsi.** Voit menettää laitteesi hallinnan huomiosi suuntautuessa muualle.

2. Sähköturvallisuus

- Sähkötyökalun pistotulpan tulee sopia pistorasiaan. Pistotulppaa ei saa muuttaa millään tavalla. Älä käytä minkäänlaisia sovintipistokkeita maadoitettujen sähkötyökalujen kanssa.** Alkuperäisessä tilassa olevat pistotulpat ja sopivat pistorasiat vähentävät sähköiskun vaaraa.
- Vältä koskettamasta maadoitettuja pintoja, kuten putkia, pattereita, liesiä tai jääkaappeja.** Sähköiskun vaara kasvaa, jos kehosi on maadoitettu.
- Älä altista sähkötyökalua sateelle tai kosteudelle.** Veden tunkeutuminen sähkötyökalun sisään kasvattaa sähköiskun riskiä.
- Älä käytä verkkojohtoa väärin. Älä käytä sitä sähkötyökalun kantamiseen, vetämiseen tai pistotulpan irrottamiseen pistorasiasta. Pidä johto loitolla kuumuudesta, öljystä, terävistä reunoista ja liikkuvista osista.** Vahingoittuneet tai sotkeutuneet johdot kasvattavat sähköiskun vaaraa.
- Käyttäessäsi sähkötyökalua ulkona, käytä ainoastaan ulkokäyttöön soveltuvaa jatkojohtoa.** Ulkokäyttöön soveltuvan jatkojohdon käyttö pienentää sähköiskun vaaraa.

- Jos sähkötyökalua joudutaan käyttämään kosteassa ympäristössä, käytä aina jännönsvirtalaitteella (RCD) suojattua virtalähdettä.** Jännönsvirtalaitteen käyttö vähentää sähköiskun vaaraa.

3. Henkilöturvallisuus

- Ole valpas, kiinnitä huomiota työskentelyysi ja noudata tervettä järkeä sähkötyökalua käyttäessäsi. Älä käytä sähkötyökalua, jos olet väsynyt tai huumeiden, alkoholin tai lääkkeiden vaikutuksen alaisena.** Hetken tarkkaamattomuus sähkötyökalua käytettäessä saattaa johtaa vakavaan loukkaantumiseen.
- Käytä suojarusteita. Käytä aina suojalaseja.** Suojarusteet, kuten pölynsuojanaamari, luistamattomat turvajalkineet, kypärä ja kuulosuojaimet pienentävät, tilanteen mukaan oikein käytettynä, loukkaantumisriskiä.
- Vältä sähkötyökalun tahatonta käynnistämistä. Varmista, että käynnistyskytkin on asennossa "off", ennen kuin kytket pistotulpan pistorasiaan tai kannat sähkötyökalua.** Jos kannat sähkötyökalua sormi käynnistyskytkimellä tai kytket sähkötyökalun pistotulpan pistorasiaan, käynnistyskytkimen ollessa käyntiasennossa, altistat itsesi onnettomuuksille.
- Poista kaikki säätötyökalut ja ruuvitaltat, ennen kuin käynnistät sähkötyökalun.** Laitteen pyöriivään osaan jäänyt työkalu tai avain saattaa johtaa loukkaantumiseen.
- Älä kurkota. Seiso aina tukevasti ja tasapainossa.** Täten voit paremmin hallita sähkötyökalua odottamattomissa tilanteissa.
- Käytä tarkoitukseen soveltuvia vaatteita. Älä käytä löysiä työvaatteita tai koruja. Pidä hiukset, vaatteet ja käsineet loitolla liikkuvista osista.** Väljät vaatteet, korut ja pitkät hiukset voivat takertua liikkuviin osiin.
- Jos polynimu- ja keräilylaitteita voidaan asentaa työkaluun, sinun pitää tarkistaa, että ne on liitetty ja että niitä käytetään oikealla tavalla.** Näiden laitteiden käyttö vähentää pölyn aiheuttamia vaaroja.

4. Sähkötyökalujen käyttö ja hoito

- Älä ylikuormita sähkötyökalua. Käytä kyseiseen työhön tarkoitettua sähkötyökalua.** Sopivaa sähkötyökalua käyttäen työskentelet paremmin ja varmemmin tehoalueella, jolle sähkötyökalu on tarkoitettu.
- Älä käytä sähkötyökalua, jota ei voida käynnistää ja pysäyttää virtakytkimestä.** Sähkötyökalu, jota ei enää voida käynnistää ja pysäyttää käynnistyskytkimellä, on vaarallinen ja se täytyy korjata.
- Irrota pistotulppa pistorasiasta, ennen kuin suoritat säätöjä, vaihdat tarvikkeita tai siirät sähkötyökalun varastoitavaksi.** Nämä turvatoimenpiteet laskevat sähkötyökalun tahatonta käynnistysriskiä.
- Säilytä sähkötyökalut poissa lasten ulottuvilta, kun niitä ei käytetä. Älä anna sellaisten henkilöiden**

käyttää sähkötyökalua, jotka eivät tunne sitä tai jotka eivät ole lukeneet tätä käyttöohjetta. Sähkötyökalut ovat vaarallisia, jos niitä käyttävät kokemattomat henkilöt.

- e. **Hoida sähkötyökalusi huolella. Tarkista, että liikkuvat osat toimivat moitteettomasti, eivätkä ole puristuksessa ja että työkalussa ei ole murtuneita tai vahingoittuneita osia, jotka saattaisivat vaikuttaa haitallisesti sen toimintaan. Korjauta mahdolliset viat ennen käyttöönottoa.** Moni tapaturma aiheutuu huonosti huolletuista laitteista.
- f. **Pidä leikkausterät terävinä ja puhtaina.** Huolellisesti hoidetut leikkaustyökalut, joiden terät ovat teräviä, eivät tartu helposti kiinni ja niitä on helpompi hallita.
- g. **Käytä sähkötyökaluja, tarvikkeita, vaihtotyökaluja jne. näiden ohjeiden mukaisesti. Ota tällöin huomioon työolosuhteet ja suoritettava toimenpide.** Sähkötyökalun käyttö muuhun kuin tarkoituksenmukaiseen käyttöön saattaa johtaa vaarallisiin tilanteisiin.

5. Huolto

- a. **Anna koulutettujen ammattitaitoisten henkilöiden korjata sähkötyökalusi ja hyväksy korjauksiin vain alkuperäisiä varaosia.** Täten varmistat, että sähkötyökalu säilyy turvallisena.

Sähkötyökalujen lisäturvallisuusohjeet



Varoitus! Jyrsimien lisäturvallisuusohjeet

- ◆ **Käsittele sähkötyökalua eristävien tartuntapintojen avulla, koska jyrsin voi joutua kosketuksiin oman virtajohtonsa kanssa.** Jännitteisen johtimen leikkaaminen saattaa tehdä työkalun paljaista metalliosista jännitteisiä ja aiheuttaa sähköiskun käyttäjälle.
- ◆ **Käytä ruuvipuristimia tai vastaavaa keinoa, jolla saat kiinnitettyä ja tuettua työkappaleen tukevalle alustalle.** Työkappaleen kannatteleminen käsin tai tukeminen kehoa vasten voi johtaa kappaleen irtoamiseen ja vaaratilanteen syntymiseen.

Varoitus! Jyrsimisestä syntyvä pöly voi aiheuttaa terveyshaittoja käyttäjälle ja mahdollisille sivullisille. Käytä erityismuotoilua, pölyltä ja höyryiltä suojaavaa kasvosuojusta. Varmista, että sekä työalueella olevat että sen läheisyyteen saapuvat ihmiset käyttävät suojusta.

- ◆ Poista pöly huolellisesti jyrsimisen jälkeen.
- ◆ Käytä vain sellaisia jyrsinteriä, joiden varren halkaisija vastaa työkaluun asennettua holkkia.
- ◆ Käytä vain sellaisia jyrsintyökaluja, jotka sopivat työkalun kuormattomalle nopeudelle.
- ◆ Älä koskaan käytä sellaisia jyrsinteriä, joiden halkaisija ylittää teknisissä tiedoissa annetun suurimman halkaisijan.
- ◆ Älä käytä työkalua väärinpäin.

- ◆ Älä yritä käyttää työkalua paikalleen asennettuna.
- ◆ Jos sähköjohto on vaurioitunut, se saadaan vaihtaa vain valmistajalla tai valtuutetussa Black & Deckerin huoltoilikkeessä vaaratilanteiden välttämiseksi.
- ◆ Ole erityisen varovainen jyrsiessä kappaleita, joissa on lyijypohjaista maalia tai jyrsiessä puukappaleita, joista voi syntyä myrkyllistä pölyä.
 - Älä anna lasten tai raskaana olevien naisten olla työskentelyalueella.
 - Älä syö, juo tai tupakoi työskentelyalueella.
 - Hävitä pöly ja muu jäte ympäristöstävällisesti.
- ◆ Henkilöt (lapset mukaan lukien), joilla on fyysisiä, tunnollisia tai henkisiä rajoituksia tai rajallinen kokemus ja tuntemus, eivät saa käyttää tätä laitetta ellei heidän turvallisuudesta vastaava henkilö valvo tai ohjaa heitä laitteen käytössä. Lapsia on valvottava, etteivät he leiki koneen kanssa.
- ◆ Käyttö, johon työkalu on tarkoitettu, on kuvattu tässä käyttöohjeessa. Käytä vain käyttöohjeessa ja tuotekuvastossa suositeltuja tarvikkeita ja lisälaitteita. Ohjeesta poikkeava käyttö voi aiheuttaa onnettomuuden ja/tai aineellisia vahinkoja.

Muiden turvallisuus

- ◆ Henkilöt (lapset mukaan lukien), joilla on fyysisiä, tunnollisia tai henkisiä rajoituksia tai rajallinen kokemus ja tuntemus, eivät saa käyttää tätä laitetta ellei heidän turvallisuudesta vastaava henkilö valvo tai ohjaa heitä laitteen käytössä.
- ◆ Lapsia on valvottava, etteivät he leiki koneen kanssa.

Jäännösriskit.

Jäännösriskit ovat mahdollisia, jos käytät työkalua muulla kuin turvavaroituksissa mainitulla tavalla. Nämä riskit voivat liittyä muun muassa virheelliseen tai pitkäaikaiseen käyttöön. Tiettyjä jäännösriskejä ei voi välttää, vaikka noudatet kaikkia turvamääräyksiä ja käytät turvalaitteita. Näihin kuuluvat muun muassa:

- ◆ **pyörivien tai liikkuvien osien koskettamisen aiheuttamat vahingot.**
- ◆ **osia, teriä tai lisävarusteita vaihdettaessa aiheutuneet vahingot.**
- ◆ **työkalun pitkäaikaisen käytön aiheuttamat vahingot** Kun käytät työkalua pitkään, varmista, että pidät säännöllisesti taukoja.
- ◆ **kuulovauriot.**
- ◆ **työkalua käytettäessä (esimerkiksi puuta, erityisesti tammea, pöykkiä ja MDF-levyjä, käsiteltäessä) syntyneen pölyn sisäänhengityksen aiheuttamat terveysriskit.**

Tärinä

Käyttöohjeen teknisissä tiedoissa ja vaatimustenmukaisuusvaikutuksessa ilmoitetut tärinän päästöarvot on mitattu EN 60745-normin vakioiden testimenetelmän mukaisesti ja niitä voidaan käyttää työkalun vertaamisessa toiseen. Ilmoitettua tärinän päästöarvoa voidaan myös käyttää altistumisen arviointiin ennakkolta.

Varoitus! Sähkötyökalun tärinän päästöarvo voi varsinaisen käytön aikana poiketa ilmoitetusta arvosta riippuen siitä, millä tavalla työkalua käytetään. Tärinän taso voi kohota ilmoitetun tason yläpuolelle.

Kun tärinälle altistumista arvioidaan, jotta voidaan määrittää 2002/44/EY-direktiivin edellyttämät turvatoimenpiteet säännöllisesti sähkötyökaluja työssä käyttävien henkilöiden suojelemiseksi, tärinälle altistumisen arvion tulee ottaa huomioon varsinaiset käyttöolosuhteet ja työkalun käyttötavan, johon sisältyy kaikkien käyttöjakson osien huomioon ottaminen, kuten ajat, jolloin työkalu on pois päältä tai kun se käy joutokäyntiä sekä käynnistysajan.

Koneessa olevat merkit

Koneessa on seuraavat kuvakemerkinnät:



Varoitus! Loukkaantumisen vaaran ehkäisemiseksi käyttäjän on luettava käyttöohjeet.

Sähköturvallisuus



Tämä laite on kaksoiseristetty; siksi erillistä maadoitusta ei tarvita. Tarkista aina, että virtalähde vastaa arvokilvessä ilmoitettua jännitettä.

- ◆ Jos sähköjohto on vaurioitunut, se saadaan vaihtaa vain valtuutetussa Black & Deckerin huoltoliikkeessä vaaratilanteiden välttämiseksi.

Ominaisuudet

1. Virrankatkaisija
2. Lukitusnappi
3. Portaattoman nopeuden valitsin
4. Lukitusvipu
5. Karanlukitusnappi
6. Holkki
7. Pyörivä syvyyssäyhtin
8. Lastunohjain
9. Syvyyssäyhtintanko
10. Jyrsintäsyvyyden säätöasteikko
11. Pölynpoistoliiitin

Kokoaminen

Varoitus! Ennen kokoamista varmista, että kone on pois päältä eikä sitä ole liitetty virtalähteeseen.

Jyrsinterän asentaminen (kuva A)

- ◆ Poista lastunohjain (8).
- ◆ Pidä karan lukitsin (5) painettuna ja kierrä karaa, kunnes karalukko lukkiintuu.
- ◆ Löysennä holkin mutteri (12) käyttämällä mukana tulevaa kiintoavainta.
- ◆ Työnnä jyrsimen terän (13) varsi holkkiin (6). Varmista, että varsi tulee ainakin 3 mm ulos holkista kuvan osoittamalla tavalla.
- ◆ Pidä karalukko (5) painettuna ja kiristä holkin mutteri (12) käyttäen mukana toimitettavaa kiintoavainta.

Reunaohjaimen kiinnittäminen (kuva B)

Reunaohjain auttaa asettamaan työkalun yhdensuuntaisesti reunan kanssa.

- ◆ Asenna palkit (14) reunaohjaimen (15) käyttämällä kahta mukana toimitettua ruuvia (16).
- ◆ Asenna tangot (14) jyrsimen pohjaan kuvan osoittamalla tavalla.
- ◆ Aseta reunaohjain vaaditulle etäisyydelle.
- ◆ Kiristä kiinnitysruuvit (17).

Pölynpoistosovittimen asentaminen (kuva C)

Pölynpoistosovittimen avulla voit liittää työkaluun pölynimurin.

- ◆ Kiinnitä pölynimurin letku (18) liittimeen (11).

Malliohjaimen asentaminen (kuva D)

- ◆ Asenna malliohjain (19) jyrsimen pohjaan siten, että laippa on pohjapuolella (työkappaleen puolella).
- ◆ Työnnä kaksi pitkää ruuvia (20) pohjapuolelta malliohjaimen ja pohjan reikiin läpi.
- ◆ Aseta mutteri kuhunkin ruuviin ja kiristä mutterit tiukkaan.

Etäisyyskappaleen asentaminen (kuva E)

- ◆ Asenna etäisyyskappale (21) jyrsimen pohjaan käyttämällä toimitettuja ruuveja.

Keskitysastan asentaminen (kuva F)

- ◆ Asenna reunaohjain jyrsimeen kuvan B osoittamalla tavalla kuitenkin niin, että se on ylösalaisin.
- ◆ Asenna keskitysastasta (22) reunaohjaimen työkappalepuolelle mukana toimitetulla ruuvilla (23).

Kopiointiseuraimen asentaminen (kuva G)

- ◆ Asenna reunaohjain jyrsimeen kuvan B osoittamalla tavalla.
- ◆ Asenna L-palkki (24) reunaohjaimen yläosaan käyttämällä kahta mukana toimitettua ruuvia.
- ◆ Kiinnitä kierto-osa (25) L-palkkiin siipiruuvilla (26).

Käyttö

Varoitus! Anna koneen käydä omaan tahtiinsa.

Älä ylikuormita sitä.

- ◆ Käsittele johtoa huolellisesti, jottet vaurioita sitä vahingossa.

Jyrsintäsyvyyden säätö (kuva H, I & J)

Jyrsinnän syvyys on etäisyys X, joka on syvyysspysäytintangon (9) ja syvyysspysäyttimen (27) välillä. Jyrsintäsyvyys voidaan asettaa kahdella eri tavalla, kuten alla on selitetty.

Jyrsintäsyvyyden säätäminen käyttäen asteikkoja (kuva I)

- ◆ Kiinnitä jyrsinterä yllä kuvatulla tavalla.
- ◆ Löysennä lukitusruuvia (28).
- ◆ Vedä lukitusvipu (4) ylös.
- ◆ Työnnä jyrsintä alaspäin, kunnes jyrsinterä koskettaa työstettävää kappaletta.
- ◆ Paina lukitusvipu (4) alas.
- ◆ Siirrä osoitin (29) nolla-asentoon asteikolla (10).
- ◆ Lisää haluamasi jyrsintäsyvyys aloituskohtaan.
- ◆ Siirrä syvyysspysäytintanko (9) asteikon laskettuun kohtaan.
- ◆ Kiristä lukitusruuvi (28).
- ◆ Hienosäädä käyttämällä säätönuppia (30).
- ◆ Vedä lukitusvipu (4) ylös ja anna jyrsimen palata alkuperäiseen asentoonsa.
- ◆ Kun jyrsin on kytketty päälle, paina sitä alas ja jyrsi haluamallasi tavalla.

Jyrsintäsyvyyden säätäminen puupalan avulla (kuva J)

- ◆ Kiinnitä jyrsinterä ja vie se alas yllä kuvatulla tavalla.
- ◆ Vedä syvyysspysäytintanko (9) ylös.
- ◆ Aseta jyrsintäsyvyyttä vastaava puukappale syvyysspysäyttimen (27) ja syvyysspysäytintangon (9) väliin.
- ◆ Kiristä lukitusruuvi (28).
- ◆ Hienosäädä käyttämällä säätönuppia (30).
- ◆ Irrota puukappale.
- ◆ Vedä lukitusvipu (4) ylös ja anna jyrsimen palata alkuperäiseen asentoonsa.
- ◆ Kun jyrsin on kytketty päälle, paina sitä alas ja jyrsi haluamallasi tavalla.

Pyörivän syvyysspysäyttimen säätäminen (kuva K)

Kun olet kääntänyt pyörivän syvyysspysäyttimen haluamaasi asetukseen, voit hienosäätää käytettävää syvyysspysäytintä. Jos haluat tehdä useita jyrsintöjä eri jyrsintäsyvyyksillä, säädä kutakin syvyysspysäytintä.

- ◆ Käännä syvyysspysäytinruuvia (31) ylös- tai alaspäin vaaditulla tavalla ruuvitaltaa käyttäen.

Nopeuden asettaminen

- ◆ Valitse haluttu nopeus nopeudensäätönupilla (3).
- Käytä suurta nopeutta halkaisijaltaan pienten jyrsinterien yhteydessä. Käytä pientä nopeutta halkaisijaltaan suurten jyrsinterien yhteydessä.

Riman käyttäminen ohjaimena (kuva L)

Kun reunaohjainta ei voida käyttää (esimerkiksi jyrstittäessä kirjajhyllyn hyllynkannatusuria), toimi seuraavasti:

- ◆ Valitse suorareunainen puupala, jota voidaan käyttää rimana.
- ◆ Aseta rima työstökappaleen päälle.
- ◆ Siirrä rimaa, kunnes se on oikeassa asennossa työkalun ohjaamisen kannalta.
- ◆ Kiinnitä rima kunnolla työstettävään kappaleeseen.

Malliohjaimen käyttäminen (kuva D)

Malliohjaimen avulla voidaan leikata haluttu muoto, kuten kirjain.

- ◆ Kiinnitä malli työkappaleeseen kaksipuolisella teipillä tai 'G'-kiinnikkeillä.
- ◆ Jyrsinterän on ulotuttava malliohjaimen laipan alapuolelle, jotta työkappale leikkautuu mallin muotoon.

Etäisyyskappaleen käyttäminen (kuva E)

Etäisyyskappaletta voidaan käyttää puisten tai laminoitujen pystyprojektioiden viimeistelyyn.

Keskitysnaстан käyttäminen (kuva F)

Keskitysnaстан avulla voidaan leikata ympyränmuotoisia kuvioita.

- ◆ Poraa leikattavan ympyrän keskelle reikä keskitysnaстанaa varten.
- ◆ Aseta jyrsin työkappaleeseen siten, että keskitysnaстанin piste on poratussa reiässä.
- ◆ Säädä ympyrän säde reunaohjaimen palkeilla.
- ◆ Jyrsin voidaan nyt siirtää työkappaleen päälle ja ympyrä voidaan leikata.

Kopiointiseuraimen käyttäminen (kuva G)

Kopiointiseurain auttaa säilyttämään saman leikkausetäisyyden, kun työkappale on epäsäännöllisen muotoinen.

- ◆ Aseta jyrsin työkappaleelle halutulle etäisyydelle kopioitavasta reunasta.
- ◆ Säädä reunaohjaimen tankoja, kunnes pyörä koskettaa työkappaletta.

Käynnistys ja pysäytys

Työkalun käynnistys

- ◆ Pidä lukitusnappia (2) painettuna sisään ja paina virrankatkaisijaa (1).
- ◆ Päästä irti lukitusnapista.

Työkalun pysäytys

- ◆ Päästä irti virrankatkaisijasta.

Varoitus! Pidä koneesta aina kiinni kahdella kädellä.

Vinkkejä parhaimman tuloksen saamiseksi

- ◆ Siirrä työkalua vastapäivään, kun työstät ukoreunoja (kuva M). Siirrä työkalua myötäpäivään, kun työstät sisäreunoja.
- ◆ Käytä pehmeän puun yhteydessä HSS-jyrsinteriä.
- ◆ Käytä kovan puun yhteydessä TCT-jyrsinteriä.
- ◆ Voit käyttää työkalua ilman ohjainta (kuva N). Tästä on hyötyä kylttejä kaiverrettaessa ja koristellessa. Käytä vain pientä jyrsintäsyvyyyttä.
- ◆ Katso yleiset jyrsinterätyypit alla olevasta taulukosta.

Jyrsinterät (kuva O)

Kuvaus	Käyttö
Suora terä (1)	Urat ja huullokset
Viimeistelyterä (2)	Laminaattien tai kovapuun viimeistely, tarkat profiilit mallineen avulla
Huullostusterä (3)	Tekee huullokseja suoriin tai käyriin työkappaleisiin
V-uraterä (4)	Urat, kaiverrukset ja reunan viistoaminen
Keernalaatikoterä (5)	Urat, kaiverrukset ja reunojen koristelu
Pyöristysterä (6)	Reunan koristelu
Suippokaariterä (7)	Reunan koristelu
Pyöristys terän yli (9)	Pyöristys reunojen yli
Pyrstöliitosterä (10)	Pyrstöliitokset
Särmäysterä (11)	Reunojen särmäys

Huolto

Jiirisaha on suunniteltu toimimaan mahdollisimman pitkään mahdollisimman vähällä huollolla. Asianmukainen käyttö ja säännönmukainen puhdistus takaavat laitteen jatkuvan tyydyttävän toiminnan.

Varoitus! Ennen huoltoa ja puhdistusta tulee koneen olla pois päältä ja irti virtalähteestä.

- ◆ Puhdista työkalun ilma-aukot säännöllisesti pehmeällä harjalla tai kuivalla rievulla.
- ◆ Puhdista laitteen kuori säännöllisesti kostealla siivousliinalla. Älä koskaan käytä puhdistamiseen liuotainaineita tai syövyttäviä puhdistusaineita.

Ympäristö



Erillinen keräys. Tätä tuotetta ei saa hävittää normaalin kotitalousjätteen kanssa.

Kun Black & Decker -koneesi on käytetty loppuun, älä hävitä sitä kotitalousjätteen mukana. Tämä tuote on kerättävä erikseen.



Käytettyjen tuotteiden ja pakkausten erillinen keräys mahdollistaa materiaalien kierrätyksen ja uudelleenkäytön. Kierrätettyjen materiaalien uudelleenkäyttö auttaa ehkäisemään ympäristön saastumisen ja vähentää raaka-aineiden kysyntää.

Paikallisten säännösten mukaisesti on mahdollista viedä kotitalouksien sähkölaitteet kuntien kaatopaikoille tai jättää ne vähittäismyyjälle ostettaessa uusi tuote.

Black & Decker tarjoaa mahdollisuuden Black & Decker -tuotteiden keräykseen ja kierrätykseen sen jälkeen, kun ne on poistettu käytöstä. Jotta voisit hyötyä tästä palvelusta, palauta laitteesi johonkin valtuutettuun huoltoliikkeeseen, joka kerää laitteet meidän puolestamme.

Voit tarkistaa lähimmän valtuutetun huoltoliikkeen sijainnin ottamalla yhteyden Black & Deckerin toimistoon, joka sijaitsee tässä käsikirjassa annetussa osoitteessa. Lista valtuutetuista Black & Decker -huoltoliikkeistä sekä yksityiskohtaiset tiedot korjauspalvelustamme ovat vaihtoehtoisesti saatavilla Internetissä, osoitteessa www.2helpU.com

Tekniset tiedot

	KW900E Type 1	
Jännite	V _{AC}	230
Ottoteho	W	1.200
Kuormittamaton nopeus	min ⁻¹	8.000 - 27.000
Holkin koko		5/16" (8 mm) / 1/4" (6,35 mm) / 6 mm
Jyrsinterän suurin halkaisija	mm	30
Suurin sahausvyvyys	mm	55
Paino	kg	3,6

Äänenpainetaso mitattu EN 60745:n mukaisesti:

Äänenpaine (L_{pa}) 95 dB(A), epävarmuus (K) 3 dB(A)

Akustinen teho (L_{WA}) 106 dB(A), epävarmuus (K) 3 dB(A)

Tärinän kokonaisarvot (kolmiaks. vektorisumma) on määritetty seuraavan mukaisesti: EN 60745

Tärinän päästöarvo (a_h) 5,77 m/s², epävarmuus (K) 1,5 m/s²

EU-vaatimustenmukaisuusvakuutus

KONEDIREKTIIVI



Black & Decker julistaa, että kohdassa "tekniset tiedot" kuvatut tuotteet noudattavat seuraavia:
2006/42/EY, EN 60745-1, EN 60745-2-11

Lisätietoja saa Black & Decker -yhtiöltä seuraavasta osoitteesta tai käyttöoppaan takana olevia yhteistietoja käyttäen.

Allekirjoittava henkilö on vastuussa teknisen tiedoston täyttämisestä ja tekee tämän ilmoituksen Black & Decker -yhtiön puolesta.

Kevin Hewitt
Vice-President Global Engineering
Black & Decker Europe, 210 Bath Road, Slough,
Berkshire, SL1 3YD
Iso-Britannia
31/03/2010

Korjaukset / varaosat

Mikäli koneeseen tulee vikaa, jätä se aina Black & Deckerin valtuuttamaan huoltoliikkeeseen korjattavaksi. Varaosia myyvät valtuutetut Black & Deckerin huoltoliikkeet, ja heiltä voi myös pyytää kustannusarvion koneen korjauksesta.

Tiedot valtuutetuista huoltoliikkeistä löytyvät internetistä osoitteesta www.2helpU.com sekä kotisivuiltamme www.blackanddecker.fi

Takuu

Black & Decker Oy takaa, ettei koneessa ollut materiaali- ja/tai valmistusvikaa silloin, kun se toimitettiin ostajalle. Takuu on lisäys kuluttajan laillisiin oikeuksiin eikä vaikuta niihin. Takuu on voimassa Euroopan Unionin jäsenmaissa ja Euroopan vapaakauppa-alueella (EFTA).

Mikäli Black & Decker -kone hajoaa materiaali- ja/tai valmistusvirheen tai teknisten tietojen epätarkkuuden vuoksi 24 kk:n kuluessa ostopäivästä, Black & Decker korjaa koneen ilman kustannuksia ostajalle tai vaihtaa sen uuteen Black & Decker Oy:n valinnan mukaan.

Takuu ei kata vikoja, jotka johtuvat koneen

- ◆ normaalista kulumisesta
- ◆ ylikuormituksesta, virheellisestä käytöstä tai hoidosta
- ◆ vahingoittamisesta vieraalla esineellä tai aineella tai onnettomuustapauksessa.

Takuu ei ole voimassa, mikäli konetta on korjannut joku muu kuin Black & Deckerin valtuuttama huoltoliike.

Edellytyksenä takuun saamiselle on, että ostaja jättää koneen ja ostokuitin jälleenmyyjälle tai valtuutetulle huoltoliikkeelle viimeistään 2 kuukauden kuluessa vian ilmenemisestä.

Tiedot valtuutetuista huoltoliikkeistä saa ottamalla yhteyttä Black & Decker Oy:hyn sekä internetistä osoitteesta www.2helpU.com, jossa on myös takuehdot.

Voit vierailla verkkosivuiltamme www.blackanddecker.fi rekisteröidäksesi uuden Black & Decker-tuotteesi ja saadaksesi tietoa uusista tuotteista ja erikoistarjouksista. Saat lisätietoja Black & Deckerin tavaramerkistä ja tuotevalikoimastamme osoitteesta www.blackanddecker.fi

Ενδεδειγμένη χρήση

Το ρούτερ της Black & Decker έχει σχεδιαστεί για τη χάραξη ξύλου και ξύλινων προϊόντων. Αυτό το εργαλείο προορίζεται μόνο για ερασιτεχνική χρήση.

Οδηγίες ασφαλείας

Γενικές προειδοποιήσεις ασφαλείας για ηλεκτρικά εργαλεία



Προσοχή! Διαβάστε όλες τις προειδοποιήσεις ασφαλείας και όλες τις οδηγίες. Η μη τήρηση των παρακάτω προειδοποιήσεων και οδηγιών μπορεί να προκαλέσει ηλεκτροπληξία, πυρκαγιά ή/και σοβαρούς τραυματισμούς.

Αποθηκεύστε όλες τις προειδοποιήσεις και οδηγίες για μελλοντική αναφορά. Ο χαρακτηρισμός "ηλεκτρικό εργαλείο" που χρησιμοποιείται στις παρακάτω προειδοποιητικές υποδείξεις αφορά ή το εργαλείο που συνδέεται στην πρίζα (με καλώδιο) ή το εργαλείο που λειτουργεί με μπαταρία (χωρίς καλώδιο).

1. Ασφάλεια χώρου εργασίας

- a. **Διατηρείτε το χώρο που εργάζεστε καθαρό και καλά φωτισμένο.** Η αταξία στο χώρο που εργάζεστε και τα σημεία χωρίς καλό φωτισμό μπορεί να οδηγήσουν σε ατυχήματα.
- b. **Μη χρησιμοποιείτε τα ηλεκτρικά εργαλεία σε περιβάλλον όπου υπάρχει κίνδυνος έκρηξης, π.χ. παρουσία εύφλεκτων υγρών, αερίων ή σκόνης.** Τα ηλεκτρικά εργαλεία μπορεί να δημιουργήσουν σπινθηρισμό ο οποίος μπορεί να αναφλέξει τη σκόνη ή τις αναθυμιάσεις.
- c. **Όταν χρησιμοποιείτε το ηλεκτρικό εργαλείο, κρατάτε τα παιδιά και τα υπόλοιπα άτομα μακριά από το χώρο που εργάζεστε.** Σε περίπτωση που άλλα άτομα αποσπάσουν την προσοχή σας μπορεί να χάσετε τον έλεγχο του μηχανήματος.

2. Ασφαλής χρήση του ηλεκτρικού ρεύματος

- a. **Το φως του καλωδίου του ηλεκτρικού εργαλείου πρέπει να ταιριάζει στην αντίστοιχη πρίζα.** Δεν επιτρέπεται με κανένα τρόπο η μετασκευή του φως. Μη χρησιμοποιείτε προσαρμοστικά φως στα γειωμένα ηλεκτρικά εργαλεία. Τα φως που δεν έχουν υποστεί τροποποιήσεις και οι κατάλληλες πρίζες μειώνουν τον κίνδυνο ηλεκτροπληξίας.
- b. **Αποφεύγετε την επαφή του σώματός σας με γειωμένες επιφάνειες όπως σωλήνες, θερμαντικά σώματα (καλοριφέρ), κουζίνες και ψυγεία.** Όταν το σώμα σας είναι γειωμένο, αυξάνεται ο κίνδυνος ηλεκτροπληξίας.

- c. **Μην εκθέτετε το ηλεκτρικό εργαλείο στη βροχή ή την υγρασία.** Η διείσδυση νερού στο ηλεκτρικό εργαλείο αυξάνει τον κίνδυνο ηλεκτροπληξίας.
- d. **Μην κακομεταχειρίζεστε το καλώδιο. Μη χρησιμοποιήσετε ποτέ το καλώδιο για να μεταφέρετε, να τραβήξετε ή να αποσυνδέσετε το εργαλείο από την πρίζα. Κρατάτε το καλώδιο μακριά από υψηλές θερμοκρασίες, λάδια, κοφτερές ακμές ή κινούμενα εξαρτήματα.** Τυχόν χαλασμένα ή μπερδεμένα καλώδια αυξάνουν τον κίνδυνο ηλεκτροπληξίας.
- e. **Όταν χρησιμοποιείτε το ηλεκτρικό εργαλείο σε εξωτερικούς χώρους, να χρησιμοποιείτε πάντοτε προεκτάσεις (μπαλαντζές) που έχουν εγκριθεί για χρήση σε εξωτερικούς χώρους.** Η χρήση προεκτάσεων εγκεκριμένων για εργασία σε εξωτερικούς χώρους μειώνει τον κίνδυνο ηλεκτροπληξίας.
- f. **Αν η χρήση του εργαλείου σε μια βρεγμένη περιοχή δεν είναι απόφευκτη, χρησιμοποιήστε μια συσκευή κατάλοιπου ρεύματος (RCD) προστατευόμενης παροχής.** Η χρήση μιας RCD μειώνει τον κίνδυνο ηλεκτροπληξίας.

3. Ασφάλεια προσώπων

- a. **Όταν χρησιμοποιείτε το ηλεκτρικό εργαλείο, να είστε προσεκτικοί, να δίνετε προσοχή στην εργασία που κάνετε και να επιστρατεύετε την κοινή λογική. Μη χρησιμοποιείτε το ηλεκτρικό εργαλείο όταν είστε κουρασμένοι ή όταν βρίσκεστε υπό την επίδραση ναρκωτικών, οινοπνεύματος ή φαρμάκων.** Μια στιγμήα απροσεξία κατά το χειρισμό του ηλεκτρικού εργαλείου μπορεί να οδηγήσει σε σοβαρούς τραυματισμούς.
- b. **Χρησιμοποιήστε προσωπικό εξοπλισμό τραυματισμού. Να φοράτε πάντα προστατευτικά γυαλιά.** Ο προστατευτικός εξοπλισμός όπως μάσκα σκόνης, υποδήματα ασφαλείας κατά το γλιστρήμα, σκληρό καπέλο, ή προστασία ακοής για τις κατάλληλες συνθήκες θα μειώσουν τους σωματικούς τραυματισμούς.
- c. **Να αποφύγετε την εκκίνηση κατά λάθος. Επιβεβαιωθείτε ότι ο διακόπτης είναι στην θέση off πριν συνδέσετε την παροχή ρεύματος και/ή τη μπαταρία, πριν πάστε ή μεταφέρετε το εργαλείο.** Η μεταφορά εργαλείων με το δάχτυλο στον διακόπτη ή η ενεργοποίηση εργαλείων με τον διακόπτη στη θέση on μπορεί να οδηγήσει σε ατυχήματα.
- d. **Πριν θέσετε το ηλεκτρικό εργαλείο σε λειτουργία, αφαιρέστε τυχόν εργαλεία ή κλειδιά ρύθμισης.** Ένα εργαλείο ή κλειδί συναρμολογημένο στο περιστρεφόμενο εξάρτημα ενός ηλεκτρικού εργαλείου μπορεί να προκαλέσει τραυματισμούς.
- e. **Μην τεντώνεστε. Φροντίστε πάντοτε να έχετε την κατάλληλη στάση και να διατηρείτε την ισορροπία σας.** Αυτό σας επιτρέπει τον καλύτερο έλεγχο του ηλεκτρικού εργαλείου σε περιπτώσεις απροσδόκητων

καταστάσεων.

- f. Φοράτε κατάλληλη ενδυμασία εργασίας. Μη φοράτε φαρδιά ρούχα ή κοσμήματα. Κρατάτε τα μαλλιά, τα ενδύματα και τα γάντια σας μακριά από τα κινούμενα εξαρτήματα. Τα φαρδιά ρούχα, τα κοσμήματα και τα μακριά μαλλιά μπορεί να εμπλακούν στα κινούμενα εξαρτήματα.
- g. Αν προβλέπονται διατάξεις απαγωγής και συλλογής της σκόνης, βεβαιωθείτε ότι είναι συνδεδεμένες και ότι χρησιμοποιούνται σωστά. Η χρήση της συλλογής της σκόνης μπορεί να μειώσει τους κινδύνους σχετικά με τη σκόνη.

4. Χρήση και συντήρηση του ηλεκτρικού εργαλείου

- a. Μην υπερφορτώνετε το ηλεκτρικό εργαλείο. Χρησιμοποιείτε για την εκάστοτε εργασία σας το ηλεκτρικό εργαλείο που προορίζεται γι' αυτήν. Με το κατάλληλο ηλεκτρικό εργαλείο εργάζεσθε καλύτερα και ασφαλέστερα στην ονομαστική περιοχή ισχύος του.
- b. Μη χρησιμοποιήσετε ποτέ ένα ηλεκτρικό εργαλείο του οποίου ο διακόπτης λειτουργίας είναι χαλασμένος. Ένα ηλεκτρικό εργαλείο του οποίου η λειτουργία δεν μπορεί να ελεγχθεί με το διακόπτη είναι επικίνδυνο και πρέπει να επισκευαστεί.
- c. Αποσυνδέστε το βύσμα από τη πυγή ρεύματος και/ή το συγκρότημα μπαταρίας πριν κάνετε κάποια ρύθμιση, αλλάζετε τα αξεσουάρ, ή αποθηκεύετε τα ηλεκτρικά εργαλεία. Αυτά τα προληπτικά μέτρα ασφαλείας μειώνουν τον κίνδυνο να θεθεί το μηχάνημα αθέλητα σε λειτουργία.
- d. Να φυλάτε τα ηλεκτρικά εργαλεία που δεν χρησιμοποιείτε μακριά από παιδιά. Μην αφήνετε άτομα που δεν είναι εξοικειωμένα με το ηλεκτρικό εργαλείο ή που δεν έχουν διαβάσει αυτές τις οδηγίες χρήσης να το χρησιμοποιήσουν. Τα ηλεκτρικά εργαλεία είναι επικίνδυνα όταν χρησιμοποιούνται από άπειρα άτομα.
- e. Να συντηρείτε τα ηλεκτρικά εργαλεία. Ελέγξτε εάν τα κινούμενα μέρη είναι σωστά ευθυγραμμισμένα ή αν έχουν μπλοκάρει, εάν έχουν σπάσει κομμάτια και εάν πληρούνται όλες οι υπόλοιπες συνθήκες που ενδεχομένως να επηρεάσουν τη σωστή λειτουργία του εργαλείου. Δώστε τυχόν χαλασμένα εξαρτήματα του ηλεκτρικού εργαλείου για επισκευή πριν το χρησιμοποιήσετε πάλι. Η ανεπαρκής συντήρηση των ηλεκτρικών εργαλείων αποτελεί αιτία πολλών ατυχημάτων.
- f. Διατηρείτε τα κοπτικά εργαλεία κοφτερά και καθαρά. Τα κοπτικά εργαλεία με αιχμηρά κοπτικά άκρα που συντηρούνται σωστά έχουν λιγότερες πιθανότητες να μπλοκάρουν και ελέγχονται ευκολότερα.
- g. Να χρησιμοποιείτε το ηλεκτρικό εργαλείο, τα εξαρτήματα και τις μύτες κλπ σύμφωνα με αυτές τις

οδηγίες, λαμβάνοντας υπόψη τις καταστάσεις εργασίας και την εργασία προς εκτέλεση. Η χρήση του ηλεκτρικού εργαλείου για άλλες εκτός από τις προβλεπόμενες εργασίες μπορεί να δημιουργήσει επικίνδυνες καταστάσεις.

5. Σέρβις

- a. Το σέρβις του ηλεκτρικού σας εργαλείου πρέπει να αναλαμβάνει έμπειρος τεχνικός που θα χρησιμοποιεί μόνο γνήσια ανταλλακτικά. Ετσι εξασφαλίζεται η διατήρηση της ασφάλειας του ηλεκτρικού εργαλείου.

Συμπληρωματικές προειδοποιήσεις ασφαλείας για ηλεκτρικά εργαλεία



Προειδοποίηση! Συμπληρωματικές προειδοποιήσεις ασφαλείας για ρούτερ

- ◆ Κρατήστε το εργαλείο από τις μονωμένες επιφάνειες λαβών γιατί το ρούτερ μπορεί να ακουμπάει το καλώδιο του. Η κοπή ενός καλωδίου με ρεύμα μπορεί να εκθέσει μεταλλικά κομμάτια του εργαλείου που έχουν ρεύμα και ο χειριστής να υποστεί ηλεκτροπληξία.
- ◆ Χρησιμοποιήστε σφιγκτήρες ή κάποιο άλλο πρακτικό μέσο για να ασφαλίστε και στηρίξετε το τεμάχιο εργασίας σε μια σταθερή επιφάνεια. Το κράτημα με το χέρι ή με το σώμα σας το κάνει ασταθές και μπορεί να οδηγήσει στο χάσιμο έλεγchu.

Προειδοποίηση! Η επαφή με την σκόνη που σηκώνεται από τις εφαρμογές χάραξης ή η εισπνοή της μπορεί να βάλει σε κίνδυνο τη ζωή του χειριστή και των πιθανών παρευρισκόμενων. Φορέστε μάσκα σκόνης ειδικά σχεδιασμένη για προστασία έναντι της σκόνης και των αναθυμιάσεων από χρώματα με μόλυβδο και βεβαιωθείτε ότι τα άτομα που βρίσκονται, ή εισέρχονται, στο χώρο εργασίας είναι επίσης προστατευμένα.

- ◆ Μετά τη χάραξη, καθαρίστε καλά τη σκόνη.
- ◆ Να χρησιμοποιείτε μόνο τα στελέχη ρούτερ που έχουν διάμετρο τσοκ αντίστοιχη του μεγέθους του σφιγκτήρα που διαθέτει το εργαλείο.
- ◆ Να χρησιμοποιείτε μόνο τις μύτες ρούτερ που είναι κατάλληλες για την ταχύτητα άφορτου κίνησης του εργαλείου.
- ◆ Να μην χρησιμοποιείτε ποτέ μύτες με διάμετρο μεγαλύτερη από τη μέγιστη διάμετρο που ορίζει η ενότητα τεχνικών δεδομένων.
- ◆ Μην χρησιμοποιείτε το εργαλείο ανάποδα.
- ◆ Μην αποπειραθείτε να χρησιμοποιήσετε το εργαλείο ακίνητο.
- ◆ Αν το καλώδιο ρεύματος έχει υποστεί βλάβη, πρέπει να αντικατασταθεί από τον κατασκευαστή ή από εξουσιοδοτημένο Κέντρο Επισκευών Black & Decker ώστε να αποφύγετε τους κινδύνους.
- ◆ Δώστε ειδική προσοχή όταν χαράζετε σε σημεία όπου η βαφή έχει ποσότητα μολύβδου ή όταν χαράζετε ξύλα τα

οποία μπορεί να παράγουν τοξική σκόνη.

- Μην επιτρέπετε σε παιδιά ή εγκύους να εισέρχονται στο χώρο εργασίας.
- Μην τρώτε, πίνετε ή καπνίζετε στο χώρο εργασίας.
- Αφαιρέστε όλα τα σωματίδια της σκόνης και τα άλλα υπολείμματα.
- ◆ Αυτό το εργαλείο δεν προσδιορίζεται για χρήση από άτομα (συμπεριλαμβανόντας και τα παιδιά) με ελαττωμένες φυσικές, αισθητήριες και ψυχικές δυνατότητες, ή έλλειψη εμπειρίας και γνώσης, εκτός αν υπάρχει επιτήρηση ή οδηγίες για τη χρήση της συσκευής από έναν υπεύθυνο άτομο για την ασφάλειά τους. Τα παιδιά πρέπει να επιτηρηθούν για να βεβαιωθείτε ότι δεν παίζουν με το εργαλείο.
- ◆ Η ενδεξιμένη χρησιμοποίηση αναφέρεται σε αυτές τις οδηγίες χρήσεως. Τόσο η χρήση εξαρτημάτων ή προσθηκών όσο και η πραγματοποίηση εργασιών που δεν συνιστώνται στις οδηγίες αυτές εγκυμονεί κίνδυνο τραυματισμού και/ή περιουσίας.

Ασφάλεια άλλων

- ◆ Αυτή η συσκευή δεν προσδιορίζεται για χρήση από άτομα (συμπεριλαμβανόντας και τα παιδιά) με ελαττωμένες φυσικές, αισθητήριες και ψυχικές δυνατότητες, ή έλλειψη εμπειρίας και γνώσης, εκτός αν υπάρχει επιτήρηση ή οδηγίες για τη χρήση της συσκευής από έναν υπεύθυνο άτομο για την ασφάλειά τους.
- ◆ Τα παιδιά πρέπει να επιτηρηθούν για να βεβαιωθείτε ότι δεν παίζουν με τη συσκευή.

Αναπόφευκτοι κίνδυνοι.

Μπορεί να προκληθούν επιπρόσθετοι αναπόφευκτοι κίνδυνοι όταν χρησιμοποιείτε το εργαλείο οι οποίοι μπορεί να μη συμπεριλαμβάνονται στις προειδοποιήσεις ασφαλείας που εσωκλείονται. Αυτοί οι κίνδυνοι μπορεί να προκληθούν από κακή χρήση, παρατεταμένη χρήση κτλ.

Ακόμα και με την τήρηση των σχετικών κανονισμών ασφαλείας και τη χρήση μέσων προστασίας, ορισμένοι κίνδυνοι δεν είναι δυνατό να εξαλειφθούν. Αυτοί περιλαμβάνουν:

- ◆ **Τραυματισμούς από το άγγιγμα των περιστρεφόμενων/κινούμενων μερών.**
- ◆ **Τραυματισμούς από αλλαγή οποιωνδήποτε εξαρτημάτων, λεπίδων ή αξεσουάρ.**
- ◆ **Τραυματισμούς από παρατεταμένη χρήση του εργαλείου. Όταν χρησιμοποιείτε οποιοδήποτε εργαλείο για παρατεταμένες χρονικές περιόδους βεβαιωθείτε ότι κάνετε τακτικά διαλείμματα.**
- ◆ **Προβλήματα ακοής.**
- ◆ **Κίνδυνοι στην υγεία που προκαλούνται από την εισπνοή σκόνης όταν χρησιμοποιείτε το εργαλείο (παράδειγμα:- όταν επεξεργάζεστε ξύλο, ειδικά δρυς, οξιά και MDF.)**

Δόνηση

Οι δηλωμένες τιμές εκπομπής δόνησης στον τομέα τεχνικών χαρακτηριστικών και στη δήλωση συμμόρφωσης έχουν μετρηθεί σύμφωνα με μια πρότυπη μέθοδος δοκιμής παρεχόμενη από το EN 60745 και μπορεί να χρησιμοποιηθεί για την σύγκριση ενός εργαλείου με ένα άλλο. Η δηλωμένη τιμή εκπομπής δόνησης μπορεί να χρησιμοποιηθεί επίσης σε μια προκαταρκτική εκτίμηση έκθεσης.

Προσοχή! Η τιμή εκπομπής δόνησης κατά τη παρόν χρήση του ηλεκτρικού εργαλείου μπορεί να διαφέρει από τη δηλωμένη τιμή αναλόγως με τον τρόπο που χρησιμοποιείται το εργαλείο. Το επίπεδο δόνησης μπορεί να αυξηθεί πάνω από το δηλωμένο επίπεδο.

Κατά την εκτίμηση έκθεσης στη δόνηση για να αποφασιστούν τα μέτρα ασφαλείας που απαιτούνται από το 2002/44/EK για την προστασία ατόμων που χρησιμοποιούν τακτικά το εργαλείο, πρέπει να ληφθεί υπόψη μια εκτίμηση έκθεσης δόνησης, οι παρόν καταστάσεις χρήσης και ο τρόπος χρήσης εργαλείου, συμπεριλαμβανόντας όλα τα μερί του κύκλου εργασίας όπως πότες φορές σβήνεται το εργαλείο και όταν δουλεύει χωρίς φορτίο πρόσθετα πότες φορές πατιέται η σκανδάλη.

Ετικέτες επάνω στο εργαλείο

Πάνω στο εργαλείο υπάρχουν οι εξής σχηματικές απεικονίσεις:



Προσοχή! Για να μειώσετε τον κίνδυνο τραυματισμού, ο χρήστης πρέπει να διαβάσει το εγχειρίδιο οδηγιών.

Ασφαλής χρήση του ηλεκτρικού ρεύματος



Αυτό το εργαλείο φέρει διπλή μόνωση, επομένως δεν απαιτείται σύρμα γείωσης. Ελέγχετε πάντοτε αν η τάση τροφοδοσίας αντιστοιχεί σε αυτήν που αναγράφεται στην πινακίδα στοιχείων του εργαλείου.

- ◆ Αν το καλώδιο ρεύματος έχει υποστεί βλάβη, πρέπει να αντικατασταθεί από τον κατασκευαστή ή από εξουσιοδοτημένο Κέντρο Επισκευών Black & Decker ώστε να αποφευχθούν οι κίνδυνοι.

Χαρακτηριστικά

1. Διακόπτης on/off
2. Μποτόν απασφάλισης
3. Κομπι ρύθμισης ταχύτητας
4. Μοχλός ασφάλισης βύθισης
5. Κομπι ασφάλισης του άξονα
6. Τσok
7. Στοπ βάθους τόνρου
8. Ανακλαστήρας αποκομμάτων

9. Ράβδος στοπ βάθους
10. Κλίμακα βάθους κοπής
11. Προσαρμογέας εξόδου σκόνης

Συναρμολογηση

Προειδοποίηση! Πριν από τη συναρμολόγηση, βεβαιωθείτε ότι το εργαλείο είναι σβηστό και ότι το φως του δεν είναι στην πρίζα.

Τοποθέτηση μύτης ρούτερ (εικ. Α)

- ◆ Αφαιρέστε τον ανακλαστήρα αποκομμάτων (8).
- ◆ Κρατήστε πατημένο το κουμπί ασφάλειας της ατράκτου (5) και περιστρέψτε την άτρακτο μέχρι να ασφαλίσει εντελώς η ασφάλεια.
- ◆ Χαλαρώστε τον σφιγκτήρα του τσοκ (12) με το κλειδί της συσκευασίας.
- ◆ Εισάγετε το στέλεχος της μύτης του ρούτερ (13) στο τσοκ (6). Βεβαιωθείτε ότι το στέλεχος προεξέχει τουλάχιστον 3 mm από το τσοκ όπως φαίνεται στην εικόνα.
- ◆ Κρατήστε πατημένο το κουμπί ασφάλειας της ατράκτου (5) και σφίξτε τον σφιγκτήρα του τσοκ (12) με το κλειδί της συσκευασίας.

Τοποθέτηση οδηγού μπορντούρας (εικ. Β)

Ο οδηγός μπορντούρας οδηγεί το εργαλείο παράλληλα στην μπορντούρα.

- ◆ Τοποθετήστε τις ράβδους (14) στο οδηγό μπορντούρας (15) με τις δύο βίδες (16).
- ◆ Εισάγετε τις ράβδους (14) στη βάση του ρούτερ όπως απεικονίζεται.
- ◆ Τοποθετήστε τον οδηγό μπορντούρας στην απαιτούμενη απόσταση.
- ◆ Σφίξτε τις βίδες στερέωσης (17).

Τοποθέτηση του προσαρμογέα εξόδου σκόνης (εικ. C)

Ο προσαρμογέας εξόδου σκόνης σας επιτρέπει να συνδέετε ηλεκτρική σκούπα στο εργαλείο.

- ◆ Συνδέστε το σωλήνα (18) της ηλεκτρικής σκούπας στον προσαρμογέα (11).

Τοποθέτηση του οδηγού φόρμας (εικ. D)

- ◆ Στερεώστε τον οδηγό φόρμας (19) στη βάση του ρούτερ με τη φλάντζα στο κάτω μέρος (του τεμαχίου εργασίας).
- ◆ Εισάγετε τις δύο μεγάλες βίδες (20) από κάτω, μέσα από τον οδηγό φόρμας και τις σπές της βάσης.
- ◆ Τοποθετήστε σφιγκτήρες στις βίδες και σφίξτε τους καλά για να ασφαλίσουν.

Τοποθέτηση του διαχωριστικού τεμαχίου (εικ. Ε)

- ◆ Τοποθετήστε το διαχωριστικό τεμάχιο (21) στη βάση του ρούτερ με τις βίδες της συσκευασίας.

Τοποθέτηση του πείρου κεντραρίσματος (εικ. F)

- ◆ Τοποθετήστε τον οδηγό μπορντούρας στο ρούτερ όπως φαίνεται στην εικ. Β αλλά ανάποδα.
- ◆ Τοποθετήστε τον πείρο κεντραρίσματος (22) στην πλευρά του τεμαχίου εργασίας του οδηγού μπορντούρας με τις βίδες (23) της συσκευασίας.

Τοποθέτηση του εξαρτήματος αντιγραφής (εικ. G)

- ◆ Τοποθετήστε τον οδηγό μπορντούρας στο ρούτερ όπως φαίνεται στην εικ. Β.
- ◆ Τοποθετήστε τη ράβδο σχήματος L (24) στην πάνω πλευρά του οδηγού μπορντούρας με τις δύο βίδες και τα παξιμάδια της συσκευασίας.
- ◆ Ρυθμίστε το περιστρεφόμενο εξάρτημα (25) στη ράβδο σχήματος 'L' με τις πεταλούδες (26).

Χρήση

Προειδοποίηση! Αφήστε το εργαλείο να λειτουργήσει με το δικό του ρυθμό. Μην το υπερφορτώνετε.

- ◆ Τοποθετήστε προσεκτικά το καλώδιο ώστε να μην το κόψετε κατά λάθος.

Ρύθμιση του βάθους κοπής (εικ. Η, Ι & J)

Το βάθος κοπής είναι η απόσταση X μεταξύ της ράβδου του στοπ βάθους (9) και του στοπ βάθους (27). Το βάθος κοπής ρυθμίζεται με δύο διαφορετικούς τρόπους σύμφωνα με τις οδηγίες που ακολουθούν.

Ρύθμιση του βάθους κοπής με την κλίμακα (εικ. Ι)

- ◆ Τοποθετήστε τη μύτη του ρούτερ όπως περιγράφεται παραπάνω.
- ◆ Χαλαρώστε τη βίδα σύσφιξης (28).
- ◆ Τραβήξτε προς τα πάνω τον μοχλό ασφάλισης βύθισης (4).
- ◆ Χαμηλώστε το ρούτερ μέχρι η μύτη να αγγίξει το τεμάχιο εργασίας.
- ◆ Ωθήστε προς τα κάτω τον μοχλό ασφάλισης βύθισης (4).
- ◆ Μετακινήστε το δείκτη (29) στη θέση μηδέν στον κλίμακα (10).
- ◆ Προσθέστε το επιθυμητό βάθος κοπής στην αρχική θέση.
- ◆ Μετακινήστε τη ράβδο του στοπ βάθους (9) στη θέση που υπολογίσατε πάνω στην κλίμακα.
- ◆ Σφίξτε τη βίδα σύσφιξης (28).
- ◆ Ρυθμίστε χρησιμοποιώντας το κουμπί ρύθμισης (30).
- ◆ Τραβήξτε τον μοχλό ασφάλισης βύθισης (4) προς τα πάνω και αφήστε το ρούτερ να επιστρέψει στην αρχική του θέση.
- ◆ Αφού θέσετε το ρούτερ σε λειτουργία, χαμηλώστε το και εκτελέστε την επιθυμητή κοπή.

Ρύθμιση του βάθους κοπής σε ένα κομμάτι ξύλο (εικ. J)

- ◆ Τοποθετήστε τη μύτη του ρούτερ και χαμηλώστε το όπως περιγράφεται παραπάνω.

- ♦ Τραβήξτε προς τα πάνω τη ράβδο του στοπ βάθους (9).
- ♦ Τοποθετήστε ένα κομμάτι ξύλο με πάχος ίσο με το επιθυμητό πάχος κοπής μεταξύ του στοπ βάθους (27) και της ράβδου του στοπ βάθους (9).
- ♦ Σφίξτε τη βίδα σύσφιξης (28).
- ♦ Ρυθμίστε χρησιμοποιώντας το κουμπί ρύθμισης (30).
- ♦ Αφαιρέστε το κομμάτι του ξύλου.
- ♦ Τραβήξτε τον μοχλό ασφάλισης βύθισης (4) προς τα πάνω και αφήστε το ρούτερ να επιστρέψει στην αρχική του θέση.
- ♦ Αφού θέσετε το ρούτερ σε λειτουργία, χαμηλώστε το και εκτελέστε την επιθυμητή κοπή.

Ρύθμιση του στοπ βάθους του τόννου (εικ. Κ)

Αφού στρέψετε το στοπ βάθους του τόννου στην επιθυμητή ρύθμιση, μπορείτε να ρυθμίσετε με ακρίβεια το στοπ βάθους που θα χρησιμοποιηθεί. Αν θέλετε να κάνετε πολλά κοψίματα με διαφορετικό βάθος, ρυθμίστε ξεχωριστά τα στοπ βάθους.

- ♦ Στρέψτε τη βίδα του στοπ βάθους (31) προς τα πάνω ή προς τα κάτω, κατά περίπτωση, χρησιμοποιώντας κατασαβίδι.

Ρύθμιση της ταχύτητας

- ♦ Ρυθμίστε το κουμπί ελέγχου ταχύτητας (3) στην απαιτούμενη ταχύτητα. Χρησιμοποιήστε υψηλή ταχύτητα για μύτες ρούτερ μικρής διαμέτρου. Χρησιμοποιήστε χαμηλή ταχύτητα για μύτες ρούτερ μεγάλης διαμέτρου.

Χρήση σανιδιού ως οδηγού (εικ. Λ)

Όταν δεν είναι εφικτό να χρησιμοποιήσετε τον οδηγό μπورντούρας, για παράδειγμα όταν χαράζετε αυλάκια στο πίσω πλαίσιο μίας βιβλιοθήκης για να στηρίξετε τα ράφια, ενεργήστε ως εξής:

- ♦ Επιλέξτε ένα κομμάτι ξύλο με ευθεία άκρη για να χρησιμοποιήσετε ως σανίδι.
- ♦ Τοποθετήστε το σανίδι πάνω στο τεμάχιο εργασίας.
- ♦ Μετακινήστε το σανίδι μέχρι να τοποθετηθεί στη σωστή θέση ώστε να οδηγήσει το εργαλείο.
- ♦ Στερεώστε καλά το σανίδι στο τεμάχιο εργασίας.

Χρήση του οδηγού φόρμας (εικ. D)

Ο οδηγός φόρμας μπορεί να χρησιμοποιηθεί για κοπή στο σχήμα μίας φόρμας, για παράδειγμα ενός γράμματος.

- ♦ Ασφαλίστε τη φόρμα πάνω στο τεμάχιο εργασίας με κολλητική ταινία διπλής όψης ή με σφινγκήτρες.
- ♦ Η μύτη του ρούτερ πρέπει να εκτείνεται κάτω από τη φλάντζα του οδηγού φόρμας, προκειμένου να κοπεί το τεμάχιο εργασίας στο σχήμα της φόρμας.

Χρήση του διαχωριστικού τεμαχίου (εικ. Ε)

Το διαχωριστικό τεμάχιο μπορεί να χρησιμοποιηθεί για το φινίρισμα κάθετων ξύλινων ή λαμινέ επιφανειών.

Χρήση του πείρου κεντραρίσματος (εικ. F)

Ο πείρος κεντραρίσματος χρησιμοποιείται για την κοπή κυκλικών σχημάτων.

- ♦ Ανοίξτε μία τρύπα για τη μύτη του πείρου κεντραρίσματος στο κέντρο του κύκλου που θα κόψετε.
- ♦ Τοποθετήστε το ρούτερ στο τεμάχιο εργασίας με τη μύτη του πείρου κεντραρίσματος στην ανοιγμένη τρύπα.
- ♦ Ρυθμίστε την ακτίνα του κύκλου με τις ράβδους του οδηγού μπورντούρας.
- ♦ Το ρούτερ μπορεί τώρα να μετακινηθεί πάνω στο τεμάχιο εργασίας για να κόψει τον κύκλο.

Χρήση του εξαρτήματος αντιγραφής (εικ. G)

Το εξάρτημα αντιγραφής βοηθά στο να διατηρείται μία ίση απόσταση κοπής κατά μήκος της μπورντούρας τεμαχίων εργασίας με ακανόνιστο σχήμα.

- ♦ Τοποθετήστε το ρούτερ στο τεμάχιο εργασίας στην επιθυμητή απόσταση από την μπورντούρα που θέλετε να επαναλάβετε.
- ♦ Ρυθμίστε τις ράβδους του οδηγού μπورντούρας μέχρι ο τροχός να έρθει σε επαφή με το τεμάχιο εργασίας.

Θέση εντός και εκτός λειτουργίας

Θέση σε λειτουργία

- ♦ Κρατήστε το κουμπί απασφάλισης (2) πατημένο και πιέστε τον διακόπτη on/off (1).
- ♦ Αφήστε το κουμπί απασφάλισης.

Θέση εκτός λειτουργίας

- ♦ Αφήστε το διακόπτη λειτουργίας on/off.

Προειδοποίηση! Πάντα να χειριστείτε το εργαλείο με τα δύο χέρια.

Συμβουλές για άριστη χρήση

- ♦ Όταν εκτελείτε εξωτερικά φινιρίσματα, να μετακινείτε το εργαλείο αριστερόστροφα (εικ. Μ). Όταν εκτελείτε εσωτερικά φινιρίσματα, να μετακινείτε το εργαλείο δεξιάστροφα.
- ♦ Να χρησιμοποιείτε μύτες ρούτερ ταχυχάλυβα (HSS) σε μαλακό ξύλο.
- ♦ Να χρησιμοποιείτε μύτες ρούτερ καρβιδίου του βολφραμίου (TCT) σε σκληρό ξύλο.
- ♦ Μπορείτε να χρησιμοποιείτε το εργαλείο χωρίς οδηγό (εικ. Ν). Αυτό είναι χρήσιμο στη χάραξη συμβόλων και δημιουργικών έργων. Να κάνετε μόνο ρηχά κοψίματα.
- ♦ Ανατρέξτε στον πίνακα που ακολουθεί για συνηθισμένους τύπους μυτών ρούτερ.

Μύτες ρούτερ (εικ. Ο)

Περιγραφή	Εφαρμογή
Ίσια μύτη (1)	Αυλάκια και γλυφή
Μύτη φινιρίσματος (2)	Φινιρίσμα επιφανειών λαμινέ ή σκληρού ξύλου, κάθετη τομή ακριβείας με χρήση φόρμας
Μύτη γλυφής (3)	Λάξευση σε ίσια ή καμπύλα τεμάχια εργασίας
Μύτη αυλάκωση σχήματος V (4)	Αυλάκια, χάραξη και φαλτσογωνιές
Μύτη κουτιού πυρήνων (5)	Κυρτή μύτη ράβδωσης, χάραξης και διαμόρφωσης
Κοίλη μύτη (6)	Διαμόρφωση διακοσμητικού άκρου
Μύτη διαμόρφωσης κυματοειδούς (7)	Διαμόρφωση διακοσμητικού άκρου
Μύτη στρογγυλοποίησης (9)	Στρογγυλοποίηση άκρων
Διχαλωτή μύτη (10)	Διχαλωτοί δεσμοί
Μύτη γωνιοτόμησης (11)	Άκρες γωνιοτόμησης

Συντήρηση

Το εργαλείο σας έχει σχεδιαστεί έτσι ώστε να λειτουργεί για μεγάλη χρονική περίοδο με την ελάχιστη δυνατή συντήρηση. Η αδιάλειπτη και κανονική λειτουργία του εργαλείου εξαρτάται από τη φροντίδα και τον τακτικό καθαρισμό.

Προειδοποίηση! Πριν από οποιαδήποτε εργασία συντήρησης στο εργαλείο, θα πρέπει να το σβήσετε και να το βγάλετε από την πρίζα.

- ◆ Να καθαρίζετε τακτικά τις εγκοπές εξαιρισμού του εργαλείου σας χρησιμοποιώντας μαλακή βούρτσα ή στεγνό πανί.
- ◆ Να καθαρίζετε τακτικά το περίβλημα του μοτέρ χρησιμοποιώντας ένα υγρό πανί. Μη χρησιμοποιείτε αποξεστικά καθαριστικά ή υγρά καθαρισμού που περιέχουν διαλύτες.

Διάθεση εργαλείων και περιβάλλον



Ξεχωριστή συλλογή. Αυτό το προϊόν δεν πρέπει να απορριφθεί με συνηθισμένα σπιντικά απορρίμματα.

Εάν κάποια μέρα διαπιστώσετε ότι το προϊόν σας Black & Decker χρειάζεται αντικατάσταση ή δεν σας χρησιμεύει πλέον, μην το απορρίψετε με τα σπιντικά απορρίμματα. Κάντε αυτό το προϊόν διαθέσιμο για ξεχωριστή συλλογή.



Η ξεχωριστή συλλογή χρησιμοποιημένων προϊόντων και συσκευασιών επιτρέπει την ανακύκλωση υλικών. Η επανάχρηση ανακυκλωμένων υλικών βοηθάει την προστασία του περιβάλλον και μειώνει την ζήτηση για σπάνια υλικά.

Οι τοπικοί κανονισμοί μπορεί να παρέχουν ξεχωριστή συλλογή ηλεκτρικών προϊόντων από κατοικίες, δημοτικές τοποθεσίες απορριμμάτων ή από τον έμπορα όταν αγοράσατε το καινούργιο προϊόν.

Η Black & Decker δίνει τη δυνατότητα συλλογής και ανακύκλωσης των προϊόντων της που έχουν συμπληρώσει τη διάρκεια ζωής τους. Αν θέλετε να χρησιμοποιήσετε την εν λόγω υπηρεσία, επιστρέψτε το προϊόν σας σε οποιοδήποτε εξουσιοδοτημένο κέντρο επισκευών, όπου θα το παραλάβουν εκ μέρους σας.

Ενημερωθείτε για το πλησιέστερο κέντρο επισκευών της περιοχής σας, επικοινωνώντας με τα γραφεία της Black & Decker στη διεύθυνση που αναγράφεται στο εγχειρίδιο. Επίσης, για να πληροφορηθείτε τα εξουσιοδοτημένα κέντρα επισκευών της Black & Decker και τις λεπτομέρειες και τους αρμόδιους των υπηρεσιών που παρέχονται μετά την πώληση, μπορείτε ανατρέξετε στο Διαδίκτυο στη διεύθυνση: www.2helpU.com

Τεχνικά χαρακτηριστικά

	KW900E Type 1	
Τάση	V _{AC}	230
Ισχύς εισόδου	W	1.200
Ταχύτητα άφορτου κίνησης	min ⁻¹	8.000 - 27.000
Μέγεθος τσοκ		5/16" (8 mm) / 1/4" (6,35 mm) / 6 mm
Μέγιστη διάμετρος της μύτης του ρούτερ	mm	30
Μέγιστο βάθος κοπής	mm	55
Βάρος	kg	3,6

Στάθμη πίεσης ήχου σύμφωνα με το πρότυπο EN 60745:
Πίεση ήχου (L_{PA}) 95 dB(A), αβεβαιότητα (K) 3 dB(A)
Ακουστική ισχύς (L_{WA}) 106 dB(A), αβεβαιότητα (K) 3 dB(A)

Τιμές συνολικής δόνησης (άθροισμα τριαξονικών ανυσμάτων) αποφασισμένο σύμφωνα με EN 60745:
Τιμή εκπομπής δόνησης (a_n) 5,77 m/s², αβεβαιότητα (K) 1,5 m/s²

Δήλωση συμμόρφωσης με την Ευρωπαϊκή Κοινότητα

ΟΔΗΓΙΑ ΠΕΡΙ ΜΗΧΑΝΗΜΑΤΩΝ



KW900E

Η Black & Decker δηλώνει ότι αυτά τα προϊόντα που περιγράφονται στον τομέα "τεχνικά χαρακτηριστικά" είναι σε συμμόρφωση με:

2006/42/ΕΚ, EN 60745-1, EN 60745-2-11

Για περισσότερες πληροφορίες, επικοινωνήστε με τη Black & Decker στη διεύθυνση που ακολουθεί ή στο πίσω μέρος του εγχειριδίου.

Ο υπογεγραμμένος είναι υπεύθυνος για τη σύνταξη του τεχνικού αρχείου και κάνει την παρών δήλωση εκ μέρους της Black & Decker.

Kevin Hewitt
Vice-President Global Engineering
Black & Decker Europe, 210 Bath Road, Slough,
Berkshire, SL1 3YD
Ηνωμένο Βασίλειο
31/03/2010

Εγγύηση

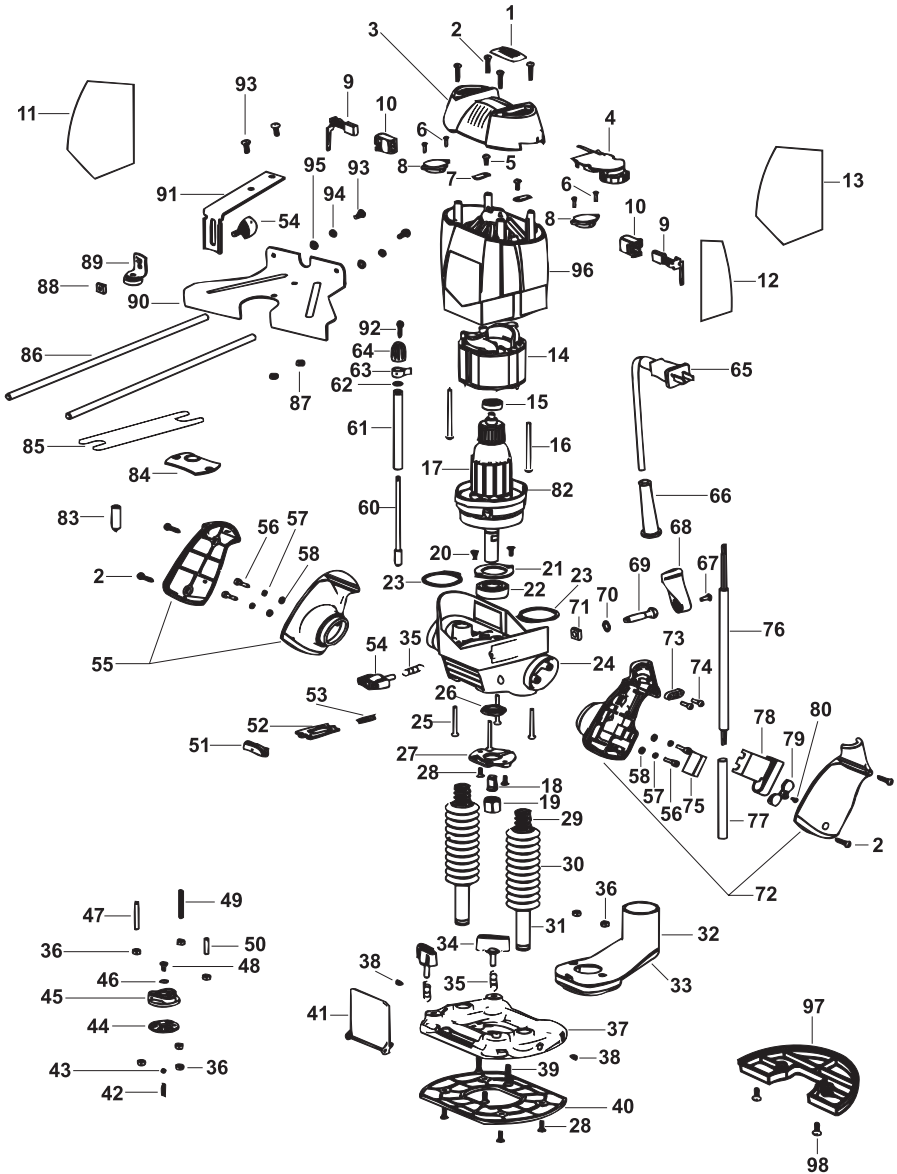
Η Black & Decker είναι σίγουρη για την ποιότητα των προϊόντων της και παρέχει σημαντική εγγύηση. Η παρούσα γραπτή εγγύηση αποτελεί πρόσθετο δικαίωμά σας και δεν ζημιώνει τα συνταγματικά σας δικαιώματα. Η εγγύηση ισχύει εντός της επικράτειας των Κρατών Μελών της Ευρωπαϊκής Ένωσης και της Ευρωπαϊκής Ζώνης Ελευθέρων Συναλλαγών.

Σε περίπτωση που κάποιο προϊόν της Black & Decker παρουσιάσει βλάβη εξαιτίας ελαττωματικών υλικών, ποιότητας εργασίας ή έλλειψης συμφωνίας με τις προδιαγραφές εντός 24 μηνών από την ημερομηνία αγοράς, η Black & Decker εγγυάται την αντικατάσταση των ελαττωματικών τμημάτων, την επισκευή προϊόντων που έχουν υποστεί εύλογη φθορά λόγω χρήσης ή την αντικατάσταση των προϊόντων προκειμένου να εξασφαλίσει την ελάχιστη ενόχληση στους πελάτες της, εκτός αν:

- ◆ Το προϊόν έχει χρησιμοποιηθεί σε εργασιακό, επαγγελματικό περιβάλλον ή αν έχει εννοικιαστεί
- ◆ Έχει γίνει εσφαλμένη χρήση του προϊόντος ή αν έχει παραμεληθεί
- ◆ Το προϊόν έχει υποστεί βλάβη από άλλα αντικείμενα, από ουσίες ή λόγω ατυχήματος
- ◆ Έχει γίνει προσπάθεια επισκευής από μη εξουσιοδοτημένα κέντρα επισκευών ή από προσωπικό που δεν ανήκει στο προσωπικό της Black & Decker

Για να ισχύσει η εγγύηση, πρέπει να υποβάλετε απόδειξη αγοράς στον πωλητή ή το εξουσιοδοτημένο κέντρο επισκευών. Ενημερωθείτε για το πλησιέστερο κέντρο επισκευών της περιοχής σας, επικοινωνώντας με τα γραφεία της Black & Decker στη διεύθυνση που αναγράφεται στο εγχειρίδιο. Επίσης, για να πληροφορηθείτε για τα εξουσιοδοτημένα κέντρα επισκευών της Black & Decker, τις λεπτομέρειες και τους αρμόδιους των υπηρεσιών που παρέχονται μετά την πώληση, μπορείτε να ανατρέξετε στο Διαδίκτυο στη διεύθυνση: www.2helpU.com

Παρακαλούμε να επισκεφθείτε την ιστοσελίδα μας www.blackanddecker.eu για να καταχωρήσετε το νέο σας προϊόν Black & Decker και για να ενημερώνεστε για τα νέα προϊόντα και τις ειδικές προσφορές. Περισσότερες πληροφορίες σχετικά με τη μάρκα Black & Decker και τη σειρά προϊόντων μας θα βρείτε στη διεύθυνση www.blackanddecker.eu



ENGLISH

Do not forget to register your product!

www.blackanddecker.co.uk/productregistration
Register your product online at www.blackanddecker.co.uk/productregistration or send your name, surname and product code to Black & Decker in your country

DEUTSCH

Vergessen Sie nicht, Ihr Produkt registrieren zu lassen!

www.blackanddecker.de/productregistration
Lassen Sie Ihr Produkt unter www.blackanddecker.de/productregistration online registrieren oder schicken Sie Ihren Nachnamen, Vornamen und den Produktcode an Black & Decker in Ihrem Land.

FRANÇAIS

N'oubliez pas d'enregistrer votre produit !

www.blackanddecker.fr/productregistration
Enregistrez votre produit en ligne sur www.blackanddecker.fr/productregistration ou envoyez vos nom, prénom et code produit à Black & Decker dans votre pays.

ITALIANO

Non dimenticate di registrare il prodotto!

www.blackanddecker.it/productregistration
Registrate il prodotto online su www.blackanddecker.it/productregistration o inviate nome, cognome e codice del prodotto al centro Black & Decker del vostro paese.

NEDERLANDS

Vergeet niet uw product te registreren!

www.blackanddecker.nl/productregistration
U kunt uw product online registreren op www.blackanddecker.nl/productregistration of u kunt uw voornaam, achternaam en productcode opsturen naar Black & Decker in uw land.

ESPAÑOL

¡No olvide registrar su producto!

www.blackanddecker.es/productregistration
Registre su producto on-line en www.blackanddecker.es/productregistration o envíe su nombre, apellidos y código de producto a Black & Decker en su país.

PORTUGUÊS

Não se esqueça de registar o seu produto!

www.blackanddecker.pt/productregistration
Registe o seu produto online em www.blackanddecker.pt/productregistration ou envie o seu nome, apelido e código do produto para a Black & Decker no seu país.

SVENSKA

Glöm inte att registrera produkten!

www.blackanddecker.se/productregistration
Registrera produkten online på www.blackanddecker.se/productregistration eller skicka namn och produktkod till Black & Decker i landet du bor i.

NORSK

Ikke glem å registrere produktet ditt!

www.blackanddecker.no/productregistration
Registrer produktet ditt online på www.blackanddecker.no/productregistration, eller send ditt navn, etternavn og produktkode til Black & Decker i ditt eget land.

DANSK

Glem ikke at registrere dit produkt!

www.blackanddecker.dk/productregistration
Registrer dit produkt på internettet på: www.blackanddecker.dk/productregistration eller send dit navn, efternavn og produktkode til Black & Decker i dit eget land.

SUOMI

Muistathan rekisteröidä tuotteesi!

www.blackanddecker.fi/productregistration
Rekisteröi tuotteesi verkossa osoitteessa www.blackanddecker.fi/productregistration tai lähetä etunimesi, sukunimesi ja tuotekoodi oman maasi Black & Decker -edustajalle.

ΕΛΛΗΝΙΚΑ

Μην ξεχάσετε να καταχωρίσετε το προϊόν σας!

www.blackanddecker.gr/productregistration
Καταχωρίστε το προϊόν σας σε σύνδεση στη σελίδα www.blackanddecker.gr/productregistration ή στείλτε το όνομα, επίθετο σας και τον κωδικό προϊόντος στη Black & Decker στη χώρα σας.

België/Belgique	Black & Decker (Belgium) N.V. Nieuwlandlaan 7 I.Z. Aarschot B156 3200 Aarschot	Tel. Fax	016 68 91 00 016 68 91 11
Danmark	Black & Decker Sluseholmen 2-4, 2450 København SV Internet: www.blackanddecker.dk	Tel. Fax	70 20 15 10 70 22 49 10
Deutschland	Black & Decker GmbH Black & Decker Str. 40, D - 65510 Idstein	Tel. Fax	06126/21 - 0 06126/21 29 80
Ελλάδα	Black & Decker (Ελλάς) Α.Ε. Σπύρβωνος 7 & Λεωφ. Βουλιαγμένης 159 166 74 Γλυφάδα - Αθήνα	Τηλ. Φαξ www.blackanddecker.eu	210 8981616 210 8983285
España	Black & Decker Ibérica, S.C.A. Parc de Negocis "Mas Blau" Edificio Muntadas, c/Bergadá, 1, Of. A6 08820 El Prat de Llobregat (Barcelona)	Tel. Fax	934 797 400 934 797 419
France	Black & Decker (France) S.A.S. 5 allée des Hêtres B.P. 30084 69579 Limonest Cédex	Tel. Fax	04 72 20 39 20 04 72 20 39 00
Helvetia	ROFO AG Gewerbezone Seeblick 3213 Kleinbödingen	Tel. Fax	026-6749391 026-6749394
Italia	Black & Decker Italia SpA Viale Elvezia 2 20052 Monza (MI)	Tel. Fax Numero verde	039-23871 039-2387592/2387594 800-213935
Nederland	Black & Decker Benelux Joulehof 12, 4622 RG Bergen op Zoom	Tel. Fax	0164 - 283000 0164 - 283100
Norge	Black & Decker (Norge) A/S Postboks 4814, Nydalen, 0422 Oslo Internet: www.blackanddecker.no	Tlf. Fax	22 90 99 00 22 90 99 01
Österreich	Black & Decker Vertriebsges.m.b.H Oberlaaerstraße 246, A1100 Wien	Tel. Fax	01 66116-0 01 66116-14
Portugal	Black & Decker Rua Egas Moniz 173 S. João do Estoril 2766-651 Estoril	Tel. Fax	214667500 214667580
Suomi	Black & Decker Oy Keilasatama 3, 02150 Espoo Black & Decker Oy, Kägelhamnen 3, 02150 Esbo	Puh. Faksi Tel. Fax	010 400 430 (09) 2510 7100 010 400 430 (09) 2510 7100
Sverige	Black & Decker AB Box 94, 431 22 Mölndal	Tel. Fax	031-68 60 60 031-68 60 80
United Kingdom	Black & Decker 210 Bath Road Slough, Berkshire SL1 3YD	Tel. Fax Helpline	01753 511234 01753 551155 01753 574277
Middle East & Africa	Black & Decker (Overseas) A.G. PB 5420, Dubai, United Arab Emirates	Tel. Fax	+971 4 2826464 +971 4 2826466