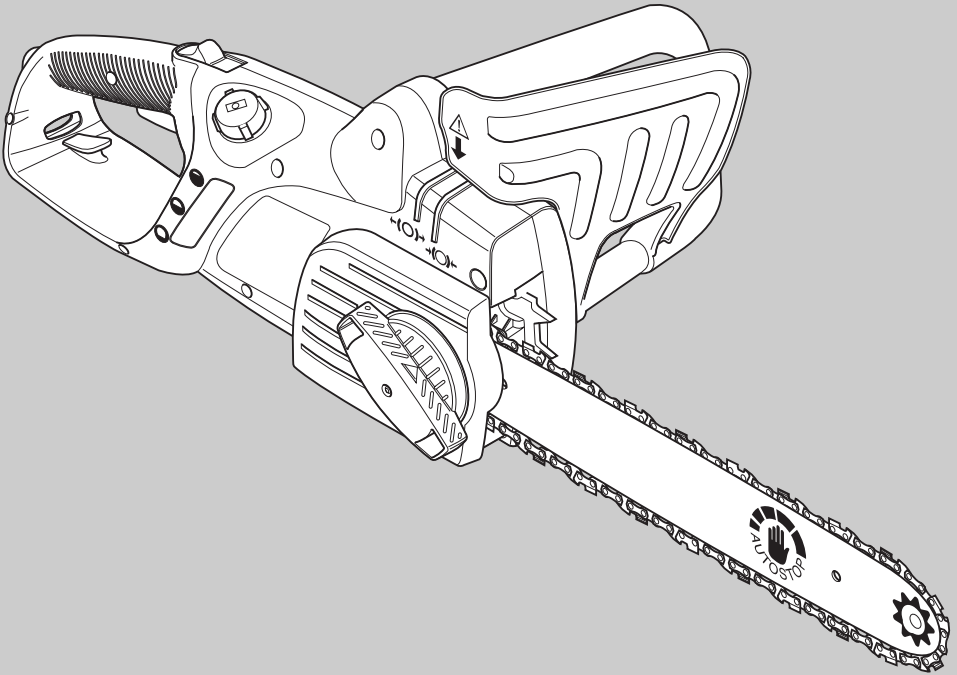
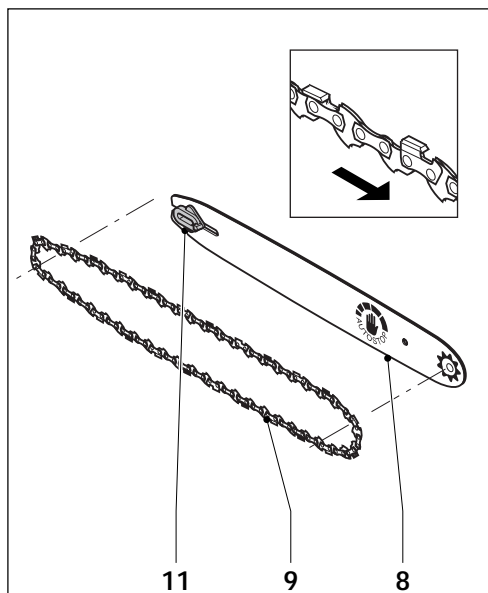
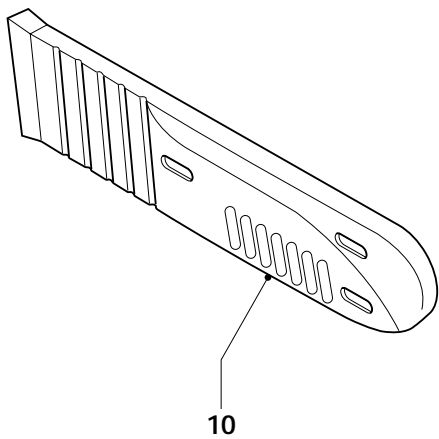
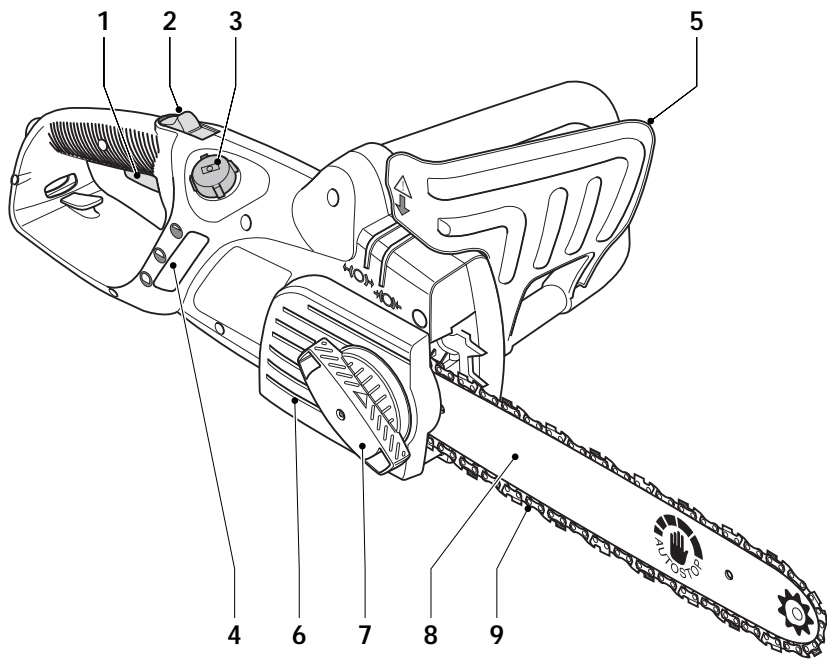


 **BLACK &
DECKER®**

www.blackanddecker.com

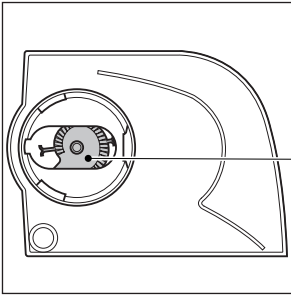




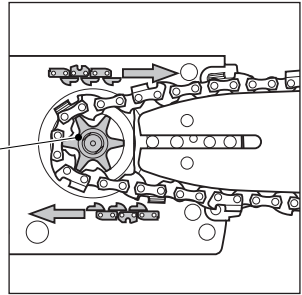


A

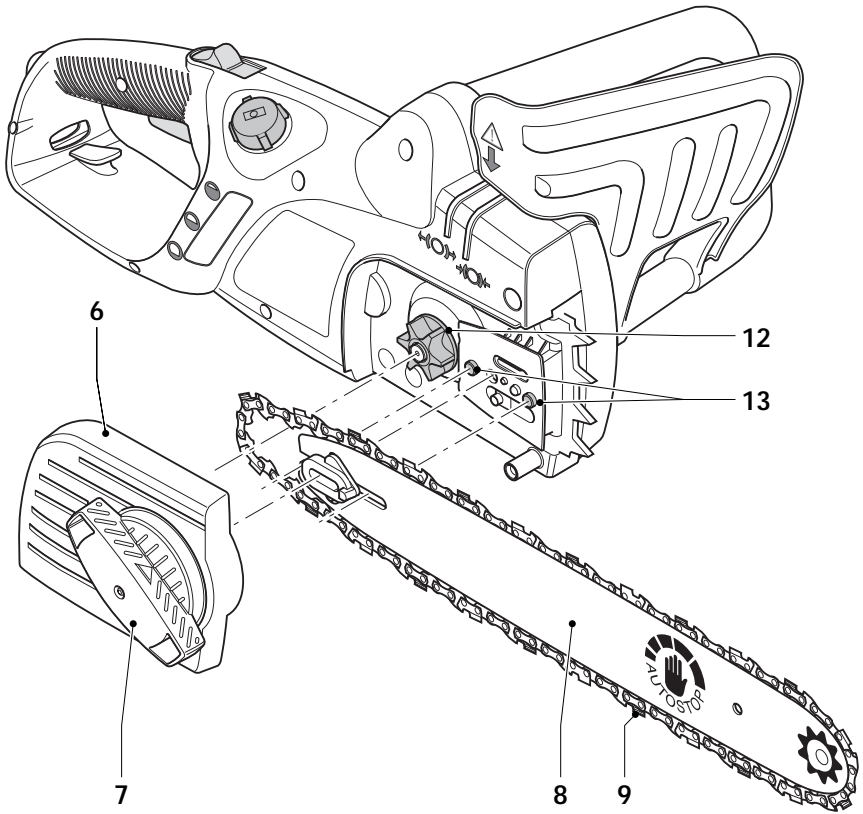
B



18



12



6

7

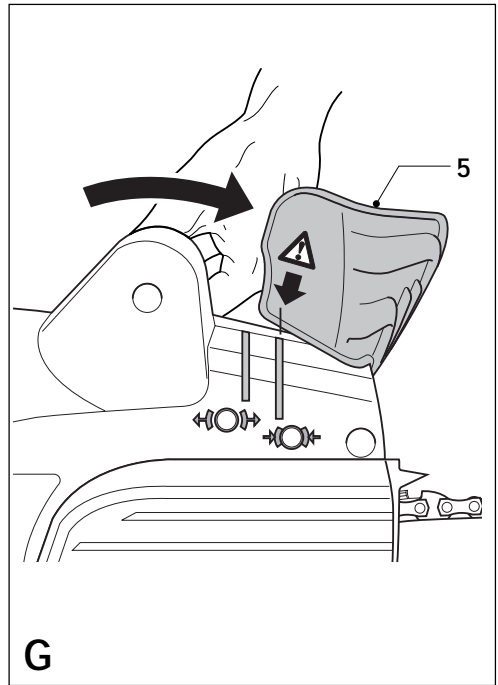
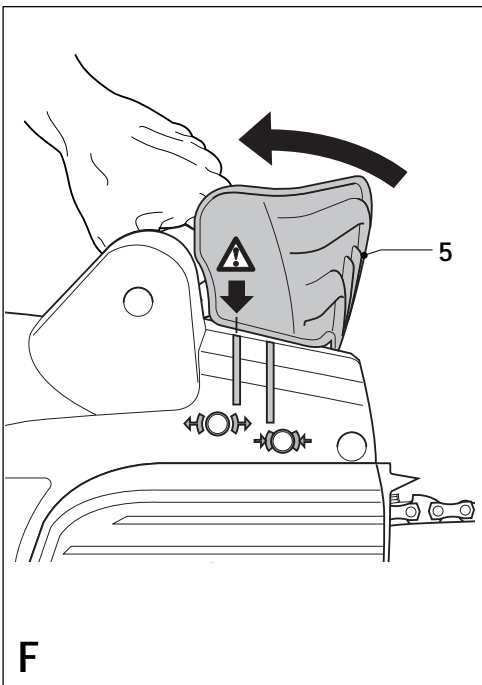
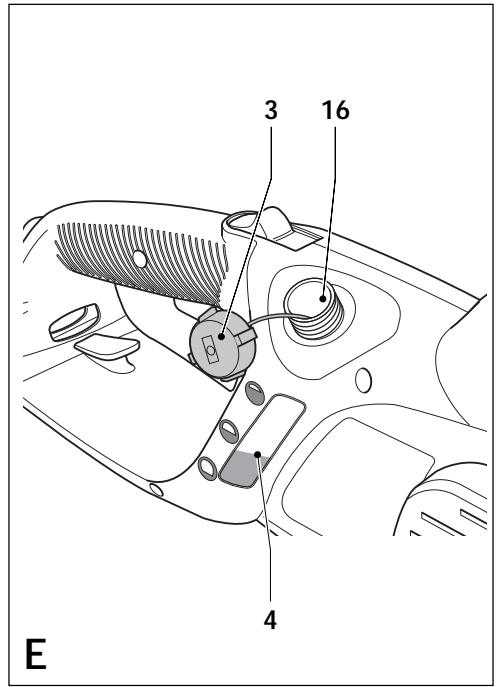
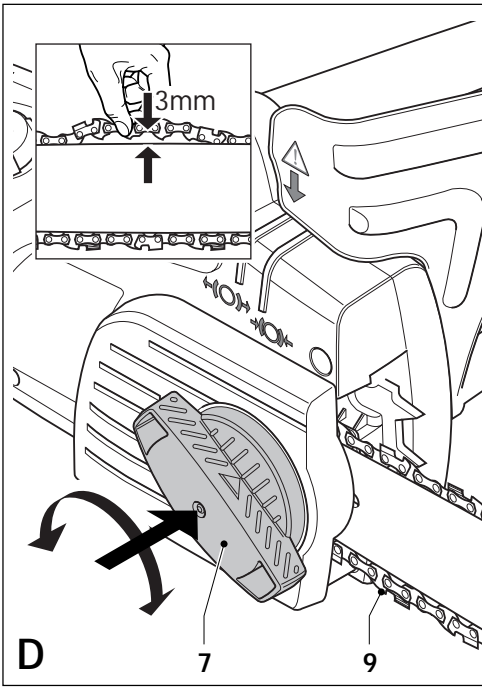
8

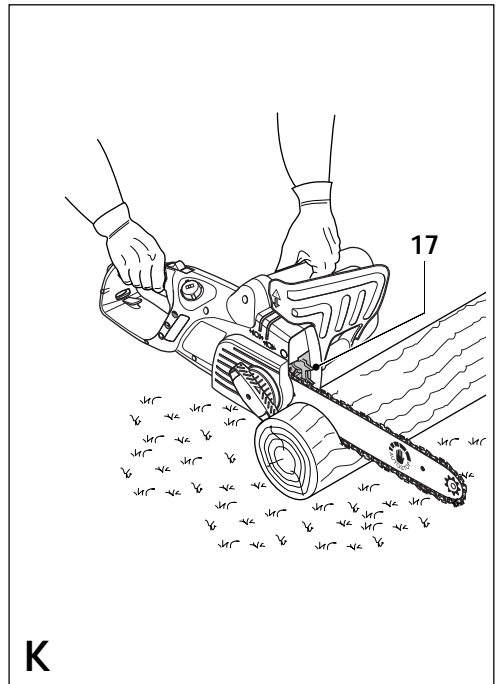
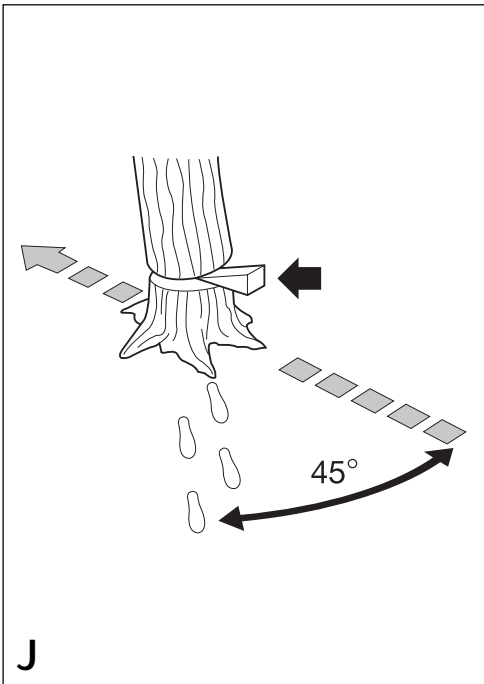
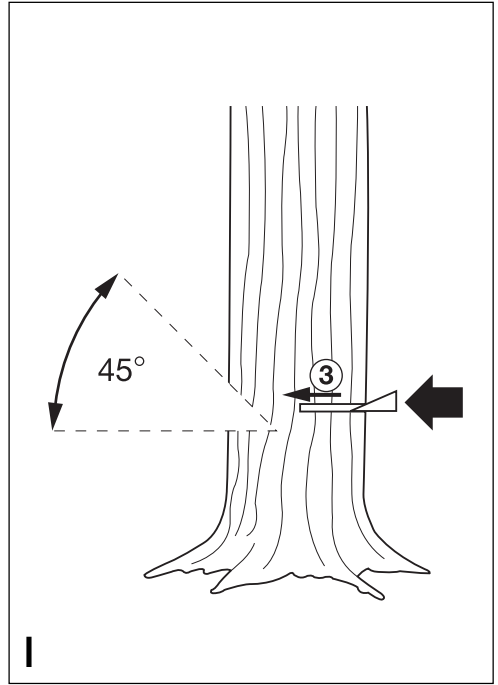
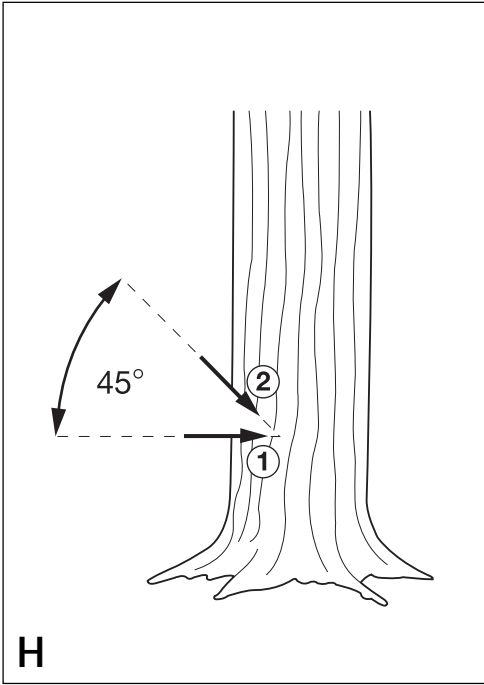
9

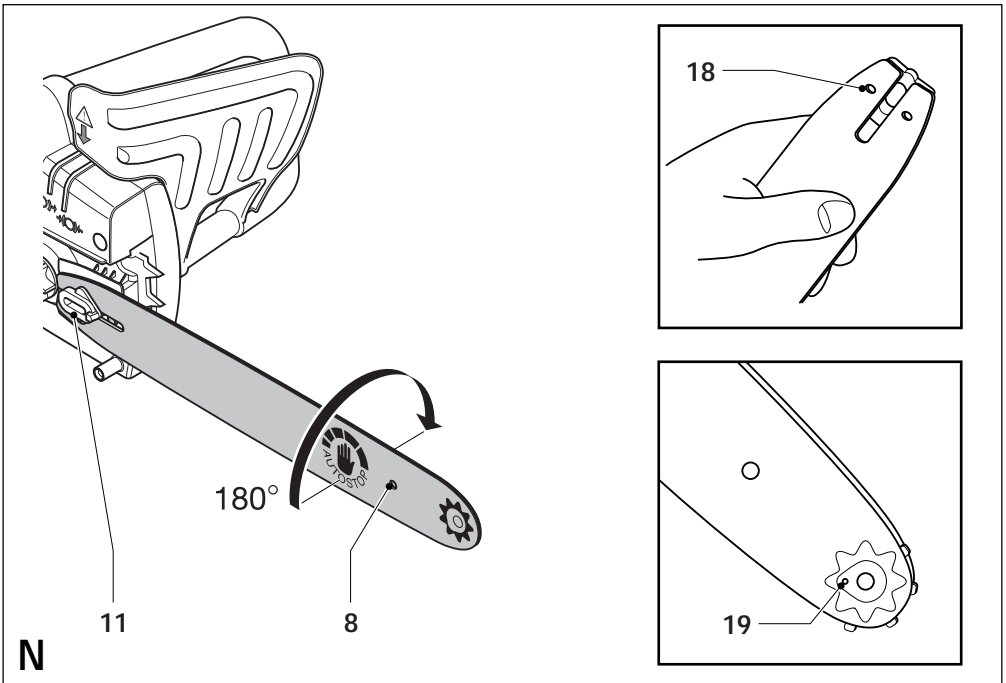
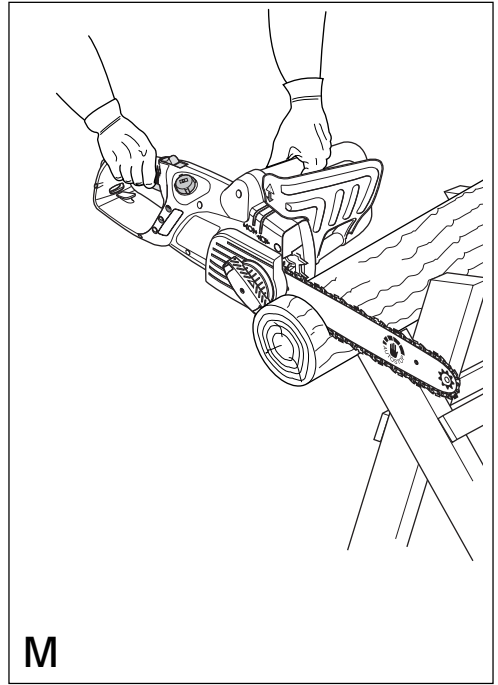
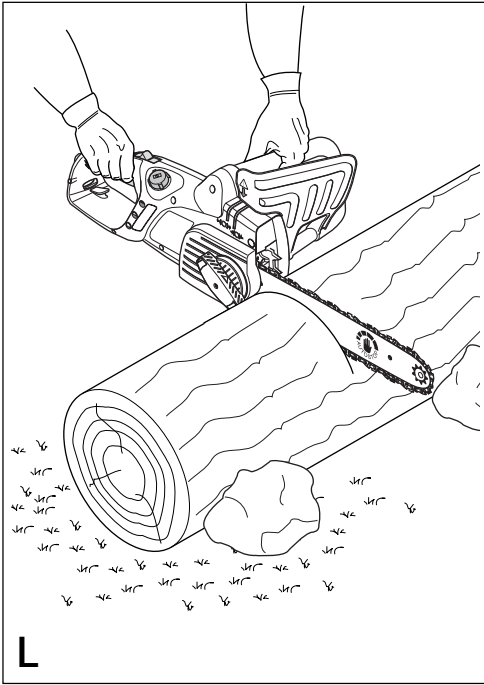
12

13

C







CHAINSAW

Know your chainsaw



Warning! When using electric tools, basic safety precautions should always be taken to reduce the risk of fire, electric shock and personal injury.



Read this user manual carefully, observing all of the recommended safety instructions before, during and after use of your chainsaw. Maintain your chainsaw in good working order. Familiarise yourself with the controls on your chainsaw before attempting to operate it, but above all, be sure you know how to stop the tool in an emergency. Retain this user manual and all other literature supplied for future reference.

SAFETY INSTRUCTIONS

- ◆ Know your chainsaw. Please read this user manual carefully and familiarise yourself with your chainsaw, in particular with regard to the sawing of round wood. We strongly recommend that first time users practice sawing logs on a saw horse or cradle.
- ◆ Avoid dangerous environments. Keep your work area clean and remove clutter. Keep the work area well lit. We strongly recommend the use of a sawhorse or cradle whenever possible.



Do not saw wet wood or use your chainsaw when it is raining.

- ◆ Keep people away while your chainsaw is in use. Do not allow children, other people or animals near your chainsaw while you are using it.
- ◆ Maintain your chainsaw when not in use. Do not store your chainsaw for any length of time without first removing the saw chain and guide bar which should be kept immersed in oil. Store all parts of your chainsaw in a dry, secure place out of reach of children. We recommend you drain the oil reservoir prior to storage.

- ◆ Do not force your chainsaw. It will do the job better and more safely at the rate for which it was intended.



Protective clothing. Wear close fitting and protective clothing including a safety helmet with visor/goggles, ear protectors, safety shoes, protective bib trousers and strong leather gloves.

- ◆ Do not abuse the cable. Never carry a chainsaw by the cable or jerk it to disconnect the plug from the socket. Keep the cable away from heat, oil or sharp edges. Check the cable frequently for damage.
- ◆ Secure your work using clamps or chocks. Be sure that you use both hands when operating your chainsaw.



Remove the plug from the mains before changing the work location, adjusting, sharpening or cleaning, changing any accessory such as the chain, or if the cord becomes entangled or damaged.

- ◆ Adjusting wrenches. Form a habit of checking to see that adjusting wrenches are removed from your chainsaw before starting.
- ◆ Only use extension cable type HO7RN-F 2 x 1mm², as a minimum only.
- ◆ Stay alert. Never operate your chainsaw when you are tired.
- ◆ Check damaged parts. Before further use of your chainsaw, a guard or other part that is damaged should be carefully checked to determine whether it will operate properly and perform its intended function. Check for alignment of moving parts, binding of moving parts, breakage of parts, mounting and any other conditions that may affect its operation. A guard or other part that is damaged should be properly repaired or replaced by an authorised service agent. Do not use your chainsaw if the switch does not turn it on and off.



Warning! The use of an accessory or attachment other than those recommended in this user manual may present a risk of personal injury.

- ◆ For all types of cutting, always hold the saw firmly with both hands, with thumbs and fingers encircling the saw handles. Do not release your grip until your chainsaw has stopped moving.
- ◆ Be sure of your footing and pre-plan a safe exit from a falling tree or branches.
- ◆ Use wedges to help control felling and prevent binding the guide bar and saw chain in the cut.
- ◆ Keep all parts of your body and clothing away from the saw chain when running your chainsaw. Before you switch on make sure your chainsaw is not contacting anything. Do not touch or try to stop a moving saw chain with your hand.
- ◆ Carry your chainsaw carefully with the mains supply disconnected and with the guide bar and saw chain to the rear and the blade sheath fitted.
- ◆ Keep your chainsaw clean. Do not allow dirt, oil or sawdust to build up on your chainsaw. Pay particular attention to the air inlet and outlet slots; these must not become clogged. Clean your chainsaw with a dry cloth but do not use any solvents or cleaning fluids.
- ◆ Saw chain care. Keep the saw chain sharp and snug on the guide bar. Ensure the saw chain and guide bar are clean and well oiled.



Beware of kickback. Kickback is upward/backward motion of the guide bar that may occur when the nose of the saw chain unexpectedly comes in contact with an object. Hold your chainsaw firmly with both hands when the motor is running. Use a firm grip with thumbs and fingers encircling the handles and watch carefully what you cut.

Kickback can be caused by:

- ◆ Striking branches or other objects accidentally with a tip of the saw while the saw chain is moving.
 - ◆ Striking metal, cement or any other hard material near the wood, or buried in the wood.
 - ◆ A dull or loose chain.
 - ◆ Cutting above shoulder height.

- ◆ Lack of attention when holding or guiding the saw while cutting.
- ◆ Over-reaching. Keep proper footing and balance at all times and do not overreach.
- ◆ Do not try to insert into a previous cut, as this could cause kickback. Make a fresh cut every time.
- ◆ We strongly recommend you do not attempt to operate your chainsaw while in a tree, on a ladder or on any other unstable surface. If you decide to do so, be advised that these positions are extremely dangerous.
- ◆ When cutting a branch that is under tension, be alert for spring back so that you will not be struck when the tension is released.
- ◆ Avoid cutting:
 - ◆ Prepared timber.
 - ◆ Into the ground.
 - ◆ Into wire fences, nails, etc.
 - ◆ Into small sized brush and saplings because slender material may catch the saw chain and be whipped towards you, or pull you off balance.
- ◆ Do not use your chainsaw above shoulder height.
- ◆ Ensure someone is nearby (but at a safe distance) in case of an accident.
- ◆ If for any reason you have to touch the chain, make sure your chainsaw is disconnected from the mains.
- ◆ The noise from this product can exceed 85 dB(A). We therefore recommend you take appropriate measures for the protection of hearing.

Warning symbols on your chainsaw



Read all of this manual carefully.



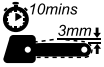
Do not use your chainsaw in wet conditions or expose it to rain.



Always wear ear and eye protection.



Always remove the plug from the socket before inspecting a damaged cable. Be careful not to use your chainsaw if the cable is damaged.



To ensure continued safe operation, check the chain tension as described in this manual after every 10 minutes of use, and adjust back to 3 mm as required.

Double insulation



Your chainsaw is double insulated. This means that all external metal parts are electrically isolated from the power supply. This is achieved by placing an extra insulation barrier between the electrical and mechanical parts. Double insulation means greater electrical safety and obviates the necessity of having the machine earthed.

Electrical safety

- ◆ Make sure your chainsaw is correct for your supply. The voltage can be found on the rating plate.

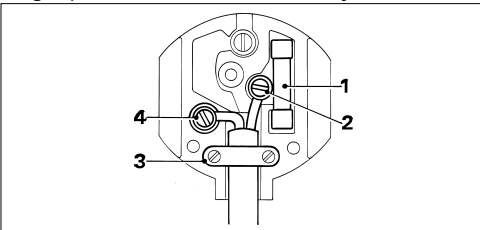
Fuse replacement (UK & Ireland only)

If you need to replace the fuse on your extension cable, please note the following:

- ◆ The plug should be fitted with a 13 amp fuse which is the recommended fuse for your chainsaw.
- ◆ Only use replacement fuses which are approved to BS1362.
- ◆ When changing the fuse in your plug, always ensure the fuse cover is refitted.

If the fuse cover is missing or damaged do not use the plug. Note: Fuses do not give personal protection against electric shock.

Plug replacement (UK & Ireland only)



We strongly recommend the use of PVC or rubber covered plugs or connectors with your chainsaw.

- ◆ Disconnect the plug from the supply.
- ◆ Cut off the plug and dispose of immediately.

Insertion of a detached plug into a 13 amp socket outlet may result in electric shock.

- ◆ Only fit BS1363A approved plugs fitted with the correctly rated fuse (1).
- ◆ The cable wire colours, or a letter, will be marked at the connection points of most good quality plugs. Attach the wires to their respective points in the plug. Brown is for „Live“ (L) (2) and blue is for „Neutral“ (N) (4).
- ◆ Before replacing the top cover of the mains plug ensure that the cable restraint (3) is holding the outer sheath on the cable firmly and that the two leads are correctly fixed at the terminal screws.



Warning! Never connect live or neutral wires to the earth pin marked „E“ or \perp .
Note: Do not wire an extension cable directly into your chainsaw.

Increased safety can be obtained by having a qualified electrician install a high sensitivity (30 mA / 30mS) circuit breaker in the house wiring. If you do not wish to have one installed, then we strongly recommend that the electrical power to your chainsaw be supplied through a high sensitivity residual current device (RCD). The RCD is designed to provide a high degree of personal protection against harmful electric current should fault conditions occur.



Warning! The use of an RCD or other circuit breaker unit does not release the operator of your chainsaw from the safety instructions and safe working practices given in this user manual.

We recommend that if your mains cable is cut or requires replacement that you return your chainsaw to a Black & Decker service agent. When repaired, your chainsaw will be tested for electrical safety.

Cable connection system (UK only)

Black & Decker continually makes every effort to achieve the highest standards in performance, quality and reliability. We recommend the use of a new outdoor cable connection system, which gives additional protection against the possibility of water or moisture entering into the cable connector during normal use.



The new connection system does not release the operator of the tool from the safety precautions and safe working practices given in the manual. Particular attention is drawn to the fact that this connection system is 'weather resistant', but not suitable for immersion, submersion or being subjected to water jets. Take care to prevent the cable from lying in or trailing through pools of water or from splashing with hose pipes.



This adaptor is only suitable for products rated up to 500 W. It is not recommended for use with hover mowers, rotary mowers with grass collection, chainsaws, shredders and blower vacs. Please contact your local service centre if you need further advice.

The following items are available:

- A6615 20 m cable, socket, 13 Amp plug
- A6616 20 m cable, socket, 13 Amp plug and Cable Tidy frame
- A6617 30 m cable, socket, 13 Amp plug and Cable Tidy frame
- A6613 40 m cable, socket, 13 Amp plug and Cable Tidy reel

Existing cable systems

Your tool either comes with a cable attached (the cat. no. ends with a C) or with a male connector built into the tool. If you already own an outdoor cable system with the old female connector shown below, we recommend that you replace this connector with the new female connector, which is available from most major DIY outlets and from Black & Decker service centres (cat. no. A6624S).

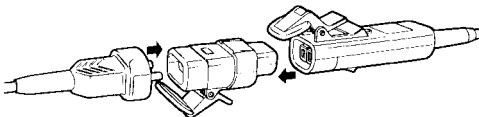


old female connector new female connector

Follow the instructions supplied with the connector. If in doubt, consult a qualified electrician.

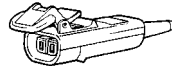
Existing outdoor tools

To connect existing Black & Decker outdoor tools to the new system, you will need an adaptor (see below), which is available as an accessory from most major DIY outlets and from Black & Decker service centres (cat. no. A6623S).

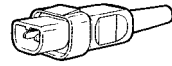


Fitting your own extension cable

- ◆ When making your own extension cable, fit a 13 Amp plug to one end of the cable (see 'Mains plug replacement') and a female connector to the other end. For wiring instructions, see those supplied with the female connector.
- ◆ A male connector (see below) is already attached to the power supply cable on your tool. It is non-rewireable and should not be removed. If the connector is damaged and needs replacement, take the tool to a Black & Decker service centre.



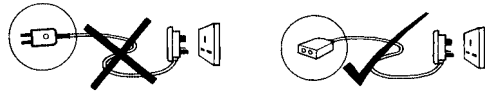
female connector



male connector



Never wire an extension cable with anything other than the female connector supplied and a 13 Amp BS1363A approved plug with the recommended fuse. Never wire a male connector to the extension cable. Never wire an extension cable with a plug of any kind at each end of the cable. This is extremely dangerous and results in the pins being live, which may cause a fatal electric shock.

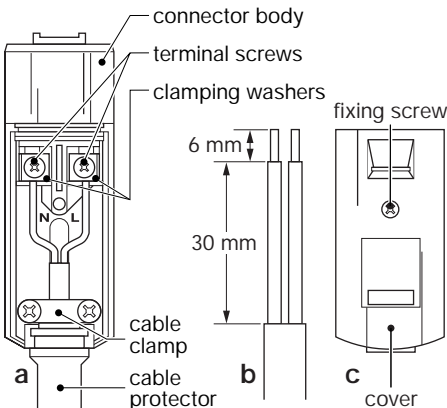


Fitting the female connector

- ◆ To remove the cover, unscrew the fixing screw until it is free of the nut which is located in the hexagonal recess on the underside of the connector. Take care not to lose the nut if it falls out.

The extension cable contains two wires, which are colour coded for easy identification: brown is for Live (L), blue is for Neutral (N). The connector is marked ‚L‘ for Live and ‚N‘ for Neutral. These markings are located inside the body near the terminal screws (see below).

- ◆ Lift out the cable protector.
- ◆ Pass the cable through from the narrow end of the cable protector.
- ◆ Prepare the cable ends to the strip length shown in the illustration.
- ◆ Remove the cable clamp.
- ◆ Loosen the terminal screws until you can enter the stripped wires between the raised washer and the terminal.
- ◆ Connect the brown lead to the terminal marked ‚L‘ and the blue lead to the terminal marked ‚N‘. Do not fix the wires directly under the screw head.
- ◆ Locate the cable and cable protector into the body.
- ◆ Fit the cable clamp over the outer sheath of the cable. Tighten the screws until fully home.
- ◆ Make sure that the cable clamp is firmly holding the outer sheath of the cable and that the two leads are correctly fixed.
- ◆ Place the cover onto the connector body.
- ◆ Securely tighten the fixing screw.
- ◆ Check that the cable protector is secure and that there are no gaps between the connector body and the cover.



Additional safety instructions for Australia and New Zealand

- ◆ This appliance is not intended for use by young or infirm persons without supervision. Children must be supervised to ensure they do not play with the appliance.
- ◆ If the supply cord is damaged, it must be replaced by the manufacturer or an authorised Black & Decker Service Centre in order to avoid a hazard.

Technical data

Bar length	30 cm	35 cm	40 cm
Supply voltage (V)	230	230	230
Rated input (W)	1400/1600	1400/1600	1400/1600
Max. cutting length (cm)	30	35	40
Chain speed (no load m/s)	8	8	8
Weight (kg)	3.7	3.8	3.9
Oil capacity (ml)	180	180	180
Safety class	II	II	II

OVERVIEW (fig. A)

1. On/off switch
2. Lock-off button
3. Oil cap
4. Oil level indicator
5. Front guard/chain brake
6. Chain cover
7. Control knob
8. Guide bar
9. Chain
10. Chain sheath

ASSEMBLY



Before assembly, make sure that the tool is switched off and unplugged.

Oiling the chain (fig. A)

- ◆ You must do this whenever you use a new chain for the first time. Take the new chain out of its plastic bag and soak it in chain oil for at least an hour before using it. Use Black & Decker chain oil (cat. no. A6027).

- ◆ We recommend that you use only one brand of oil during the lifetime of your chainsaw because mixtures of different oils could lead to the oil becoming degraded, which can drastically shorten the lifetime of the saw chain.
- ◆ Never use waste oil, thick oil or very thin sewing machine oil. These may damage your chainsaw.

Fitting the guide bar and chain (fig. B & C)



Always wear protective gloves when working on your chainsaw and ensure that the plug is not in the electrical outlet.

- ◆ Fit the saw chain (9) over the guide bar (8), making sure that the cutters are the right way round and that the slider tensioner (11) is facing towards you (fig. B).
- ◆ With the tool horizontal on a stable surface, put the bar and chain onto the bar mounting studs (13), ensuring the chain is around the drive sprocket (12). Make sure that the cutters on the upper part of the guide bar face towards the front (fig. B).
- ◆ Before fitting the chain cover check that the cam (18) is in the correct position. If necessary, press and turn the control knob (7) clockwise to rotate the cam into the correct position.
- ◆ Fit the chain cover by locating the bolt and using the control knob (7) to tighten the chain cover finger tight. To tension the chain, loosen the control knob one full turn, press in firmly and rotate clockwise. As the bar moves forward make sure that the chain links feed into the guide bar. When the control knob stops rotating apply further light pressure. Do not over-tension. Allow the control knob to spring back to the „out“ position and rotate further clockwise to tighten the guide bar. Apply moderate pressure to tighten.
- ◆ Check the chain tension. The tension is correct when the chain snaps back after being pulled 3 mm away from the chain bar with light force from the middle finger and thumb. There should be no „sag“ between the guide bar and chain on the underside.

Note: Do not over-tension the chain as this will lead to excessive wear and will reduce the life of the bar and chain.

Note: When the chain is new, check the tension frequently (after disconnecting from the mains) during the first 2 hours of use as a new chain stretches slightly.

USE



Let the tool work at its own pace.
Do not overload.


Filling oil into the reservoir (fig. E)

- ◆ Remove the oil cap (3) and fill the reservoir with the recommended chain oil. You can see the oil level in the indicator slot (4). Refit the oil cap.
- ◆ Periodically switch off and check the oil in the indicator; if it is less than a quarter full, disconnect your chainsaw from the mains and refill with the correct oil.

Auto-stop chainbrake (fig. F & G)

This tool is fitted with an auto-stop chainbrake which will stop the chain within 150 ms each time you release the rear trigger, or if kickback should occur. This brake should be tested before every use.

How to set the chainbrake

- ◆ Make sure that the tool is disconnected from the mains supply.
- ◆ Pull the front guard (5) back into the „set“ position .

The tool is now ready to use.

How the anti-kickback chainbrake works

In the event of kickback, your left hand comes in contact with the front guard, pushing it backwards, and stops the tool within 150 ms.

How the inertia activated chainbrake works

The chainbrake is activated when the front hand guard is pushed forward, either manually, by the back of the users hand or by its own weight. The advantage of the inertia brake is that it is activated by a severe kickback, eg. when the chain hits metal, even if the users hand does not contact the front guard, ie. when the saw is in the felling position.

How to test the anti-kickback chainbrake

- ◆ Grip the tool firmly in both hands on a firm surface - make sure the chain is clear of the ground and switch on (see „How to switch your chainsaw on“).
- ◆ Rotate your left hand forward around the front handle so that the back of your hand comes in contact with the front guard and pushes it backwards (fig. G). The chain should stop within a few fractions of a second.

To reset after the operation of the chainbrake

- ◆ Follow the instructions for setting the chainbrake.

Notes:

- ◆ It will not be possible to switch the tool on if the front guard is not in the „set“ position.
- ◆ Avoid re-starting the tool until you hear the motor come to a complete rest.
- ◆ If the chain does not come to rest immediately then this indicates that it needs tensioning (see „Fitting the guide bar and chain“).

How to switch the tool on (fig. A)

- ◆ Grip your chainsaw firmly with both hands. Push the lock-off button (2) forward and then push the on/off switch (1) to start.
- ◆ When the motor starts, remove your thumb from the lock button and grip the handle firmly.

Do not force the tool - allow it to do the work.

It will do a better and safer job at the speed for which it is designed. Excessive force will stretch the chain.

If the saw chain or bar becomes jammed:

- ◆ Switch the tool off.
- ◆ Disconnect the tool from the mains supply.
- ◆ Open the cut with wedges to relieve the strain on the guide bar. Do not try to wrench the saw free. Start a fresh cut.

Felling (fig. H - J)

- ◆ Pre-plan a safe exit from falling trees or branches.
- ◆ Cut one third of the diameter of the tree (Fig. H). Then cut down from above to make a notch of about 45°. This way you will avoid pinching the saw.

- ◆ Make a single felling cut from the other side but stop before you cut through to the notch (fig. I).
- ◆ Drive a wedge or wedges into the felling cut to open it and drop the tree (fig. J).

Logging (fig. K - M)

How you should cut depends on how the log is supported. Use a saw horse whenever possible. Always start a cut with the chain running and the spiked bumper (17) in contact with the wood (fig. K). To complete the cut use a pivoting action of the spiked bumper against the wood.

When supported along its whole length

- ◆ Make a downward cut, but avoid cutting the earth as this will blunt your saw quickly.

When supported at both ends

- ◆ First, cut one third down to avoid splintering and second, cut again to meet the first cut.

When supported at one end

- ◆ First, cut one third up to avoid splintering and second, cut down to prevent splintering.

When on a slope (fig. L)

- ◆ Always stand on the uphill side.

When using a saw horse (fig. M)

This is strongly recommended whenever possible.

- ◆ Position the log in a stable position. Always cut on the outside of the saw horse arms.

MAINTENANCE (fig. N)

Regular maintenance ensures a long effective life for the tool. We recommend you make the following checks on a regular basis.

Oil level

The level in the reservoir should not be allowed to fall below a quarter full.

Chain and guide bar

- ◆ After every few hours of use, remove the guide bar and chain and clean thoroughly.
- ◆ Ensure the hole between the tensioning/oil hole (18) and the bar groove is clear.

- ◆ On reassembling, the guide bar should be turned through 180° and the sprocket nose greased via the sprocket lubrication hole (19). This ensures an even distribution of wear around the guide bar rails.
- ◆ To turn the guide bar through 180°, remove the small screw from the slider and re-fasten to the opposite side of the bar.

Saw chain sharpening

If you are to get the best possible performance from the tool it is important to keep the teeth of the saw chain sharp. Guidance for this procedure is found on the sharpener package. For this purpose we recommend the purchase of the Black & Decker saw chain sharpening kit (available from Black & Decker service agents and selected dealers).

Replacing worn out chains

Replacement chains are available through retailers or Black & Decker service agents. Always use genuine spare parts.

Saw chain sharpness

The cutters will blunt immediately if they touch the ground or a nail whilst cutting.

Saw chain tension

- ◆ Regularly check the chain tension.

Oil level

- ◆ Top up if low.

What to do if your chainsaw needs repair

Your chainsaw is in accordance with the relevant safety requirements. Repairs should only be carried out by a qualified persons using original spare parts, otherwise this may result in considerable danger to the user. We recommend you keep this user manual in a safe place.

ACCESSORIES

Cat. no.	Description
A6154	300 mm / 12" chain
A6155	350 mm / 14" chain
A6156	400 mm / 16" chain
A6039	Sharpening kit
A6027	0.5 l chain oil

PROTECTING THE ENVIRONMENT



Black & Decker provides a facility for recycling Black & Decker products once they have reached the end of their working life. This service is provided free of charge. To take advantage of this service please return your product to any authorised repair agent who will collect them on our behalf.

TROUBLESHOOTING

If the tool does not operate correctly, check the following.

Fault	Possible cause	Action
Tool will not start.	Blown fuse. Tripped RCD. Mains lead not connected.	Replace fuse. Check RCD. Check mains supply.
Tool will not start button will not slide.	Front guard in the brake position	Reset front guard.
Chain does not stop instantly when the tool is switched off.	Chain tension is too slack.	Check chain tension.
Bar/chain appear hot/smoking.	Oil tank empty. Chain tension is too tight. Guide bar sprocket nose needs greasing.	Check oil tank level. Check chain tension.

You can check the location of your nearest authorised repair agent by contacting your local Black & Decker office at the address indicated in this manual. Alternatively, a list of authorised Black & Decker repair agents and full details of our after-sales service and contacts are available on the Internet at: www.2helpU.com.

Guarantee

Black & Decker is confident of the quality of its products and offers an outstanding guarantee. This guarantee statement is in addition to and in no way prejudices your statutory rights. The guarantee is valid within the territories of the Member States of the European Union and the European Free Trade Area.

If a Black & Decker product becomes defective due to faulty materials, workmanship or lack of conformity, within 24 months from the date of purchase, Black & Decker guarantees to replace defective parts, repair products subjected to fair wear and tear or replace such products to ensure minimum inconvenience to the customer unless:

- ◆ The product has been used for trade, professional or hire purposes;
- ◆ The product has been subjected to misuse or neglect;
- ◆ The product has sustained damage through foreign objects, substances or accidents;
- ◆ Repairs have been attempted by persons other than authorised repair agents or Black & Decker service staff.

To claim on the guarantee, you will need to submit proof of purchase to the seller or an authorised repair agent. You can check the location of your nearest authorised repair agent by contacting your local Black & Decker office at the address indicated in this manual. Alternatively, a list of authorised Black & Decker repair agents and full details of our after-sales service and contacts are available on the Internet at: www.2helpU.com.

EC DECLARATION OF CONFORMITY



GK1640T/GK1635T/GK1630T series
Black & Decker declares that these products conform to:
98/37/EC, 89/336/EEC, 73/23/EEC,
EN 50144, EN 55014,
2000/14/EC, Chainsaw ≤ 1600 W, Annex V

Level of sound pressure, measured according to 2000/14/EC:

L_{pA}	(sound pressure)	dB(A)	88
L_{WA}	(acoustic power)	dB(A)	101
L_{WA}	(guaranteed)	dB(A)	103



Always wear ear protection if the sound pressure exceeds 85 dB(A).

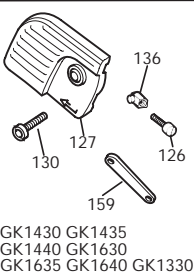
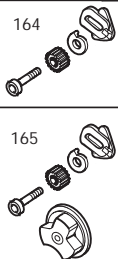
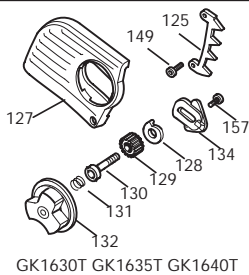
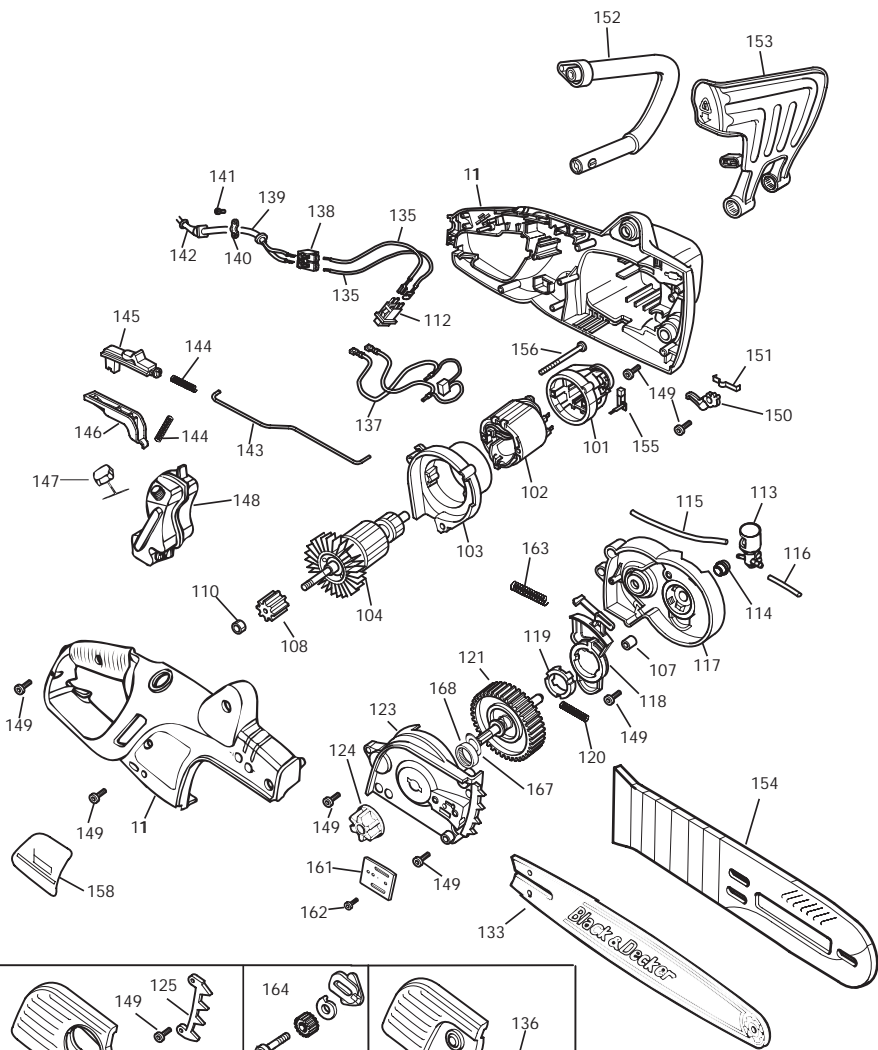
Hand/arm weighted vibration value according to EN 50144:

3.5 m/s ²

TÜV Rheinland

Cert. No.
BM981084801

Kevin Hewitt
Director of Consumer Engineering
Spennymoor, County Durham DL16 6JG,
United Kingdom



Australia DeWALT Industrial Power Tool Company Tel. 03 9895 9200
7 Clarice Road Fax 03 9899 7465
Box Hill, Victoria 3128

New Zealand Black & Decker Tel. 09 579 7600
81 Hugo Johnson Drive Fax 09 579 8200
Penrose, Auckland, New Zealand

South Africa Black & Decker South Africa (Pty) Ltd Tel. (011) 653-1400
Physical address: Fax (011) 653-1499
39 Commerce Crescent
Eastgate, ext. 12, Sandton, Kramerville 2148
Postal address:
Postnet Suite 107, Private Bag X65
Halfway House 1685

United Kingdom Black & Decker Tel. 01753 511234
210 Bath Road Fax 01753 551155
Slough, Berkshire SL1 3YD Helpline 01753 574277

Dealer address

Date of purchase

Name:

Address:

Town:

Postal code:

Was this tool a gift?

- Yes
- No

Was this tool your first purchase?

- Yes
- No

Was this tool bought as a replacement?

- Yes
- No

Dealer address:

.....

- Data protection act:
Tick the box if you prefer not to receive further information.



